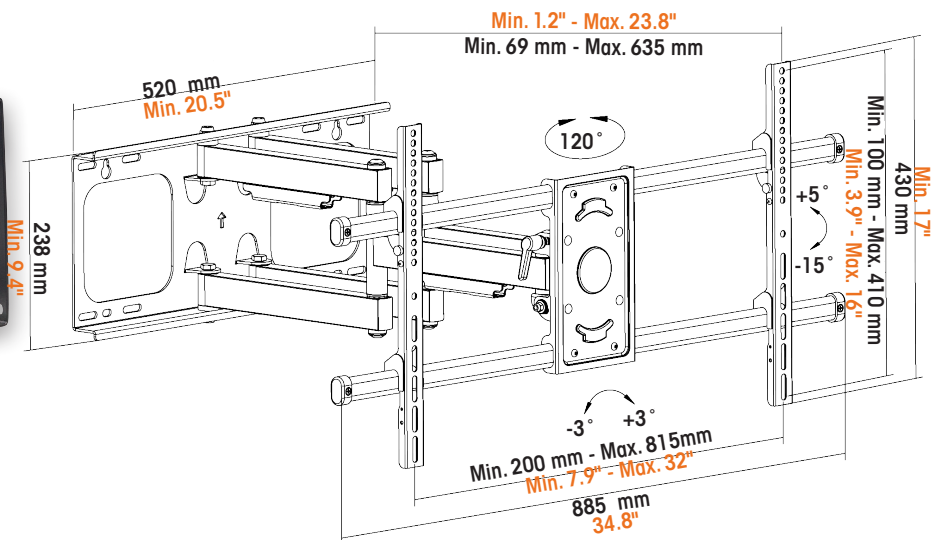


Visualizing Quality Control with Manhattan Mounts

Universal LCD Full-Motion Large-Screen Wall Mount

Model #461290



- Heavy-duty steel construction
- Easy installation ideal for home, office and commercial applications
- Meets VESA standards: 200 x 200, 300 x 300, 400 x 200, 400 x 400, 600 x 400, 800 x 400