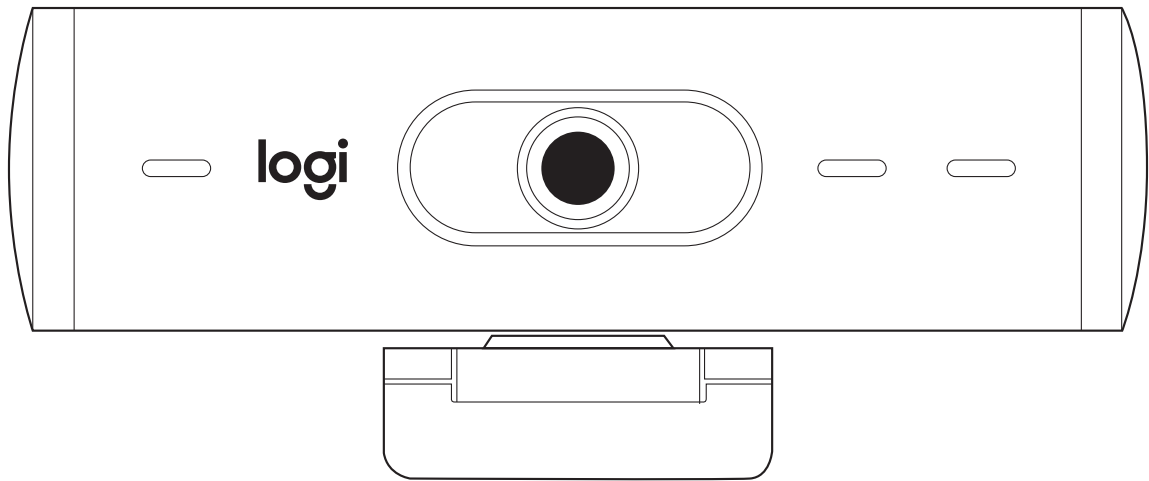


BRIO 505

Setup Guide

Setup Guide



CONTENTS

English 3

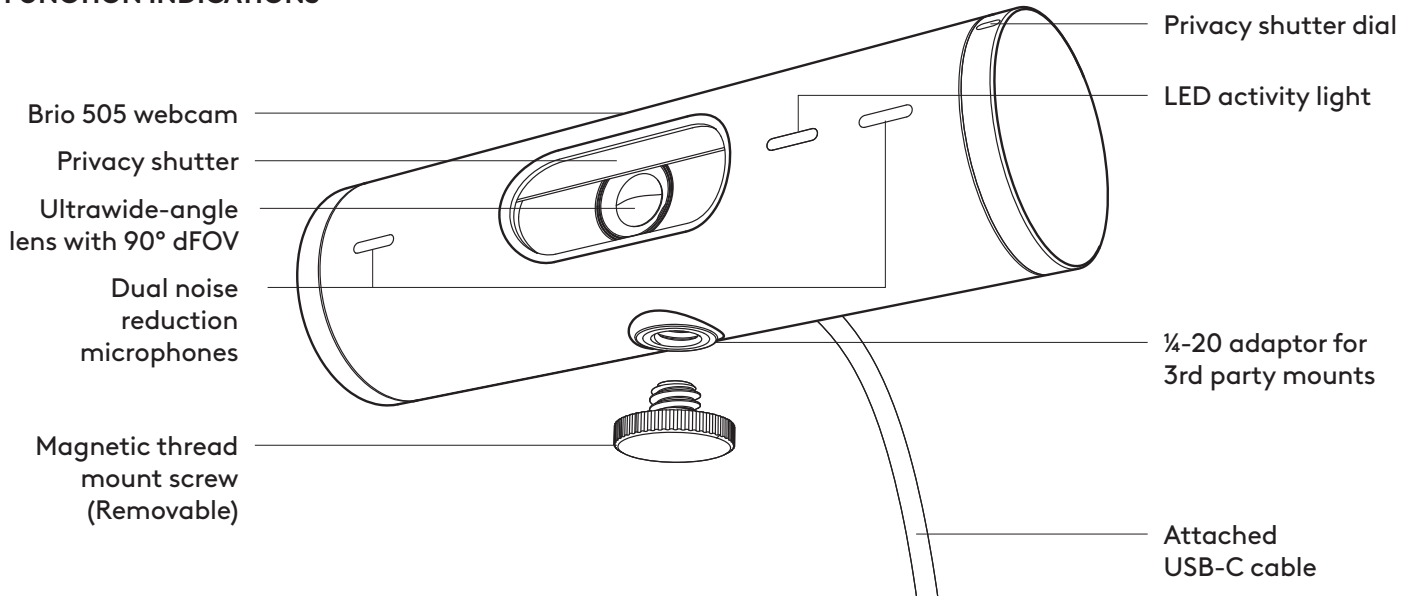
Français 10

Español. 17

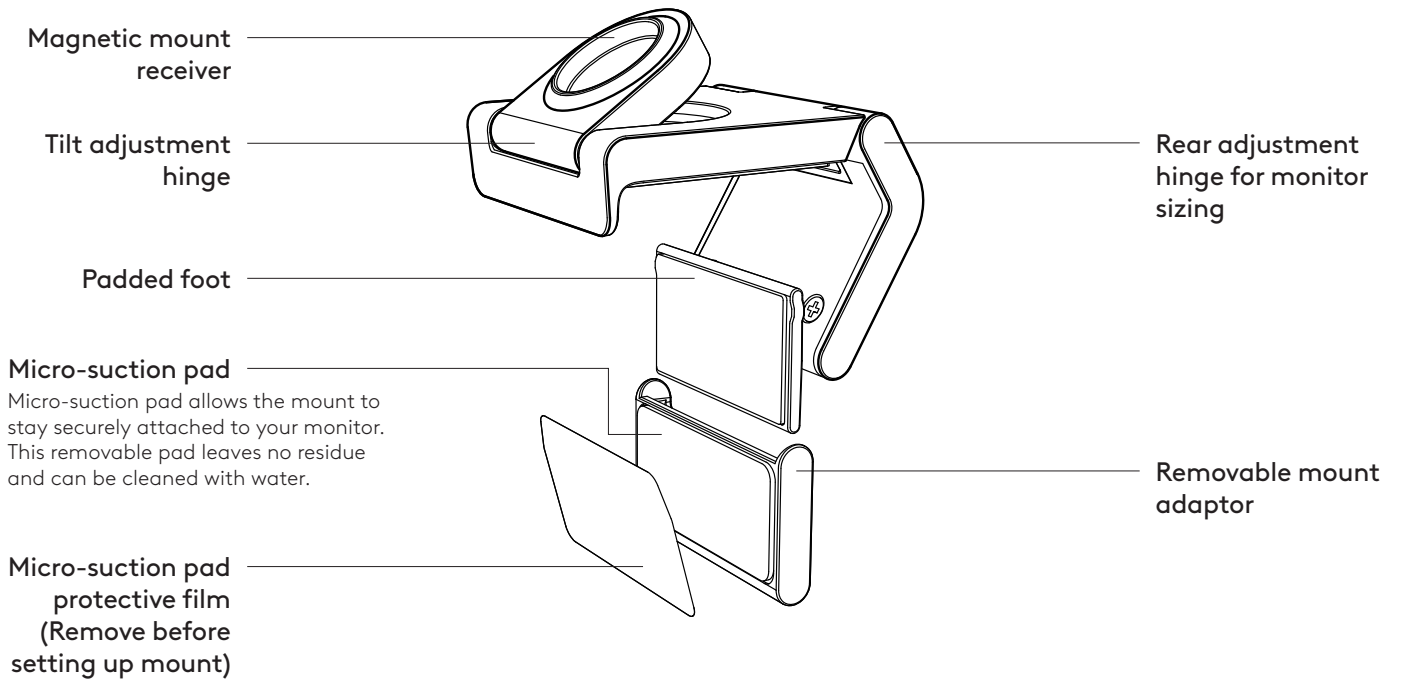
Português 24

KNOW YOUR PRODUCT

BRIO 505 FRONT VIEW WITH FUNCTION INDICATIONS

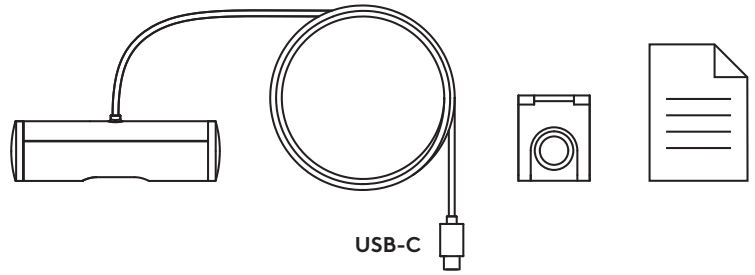


MOUNT DESIGN OVERVIEW



STEP 1: WHAT'S IN THE BOX

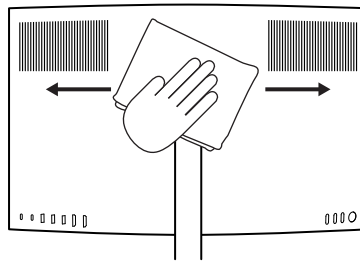
1. Webcam with attached USB-C cable
2. Mount clip with removable mount adaptor
3. User documentation



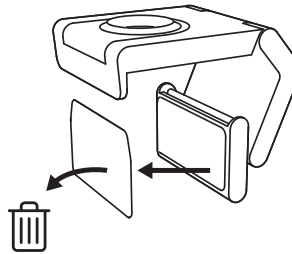
STEP 2: DETERMINE MOUNT PLACEMENT

Placement to allow one-handed camera adjustments (using micro-suction pad)

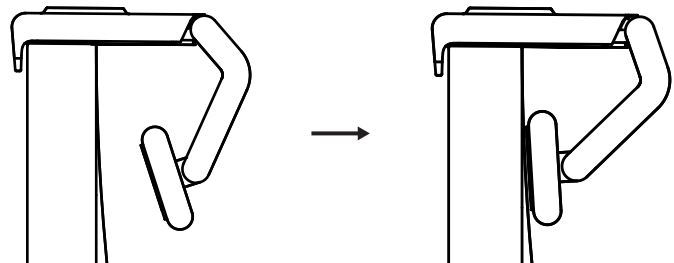
1. Determine the best placement for your webcam before continuing.
2. Wipe the back of your monitor to clear any dust or dirt.



3. Remove the protective film from the micro-suction pad.



4. Open the mount fully and place on top of your monitor, being sure that the pad of the front clip makes contact with the front of the monitor.
5. Rotate the rear foot down until it makes contact with the back of the monitor.
6. Press the micro-suction pad to the back of your monitor firmly to create a good bond.

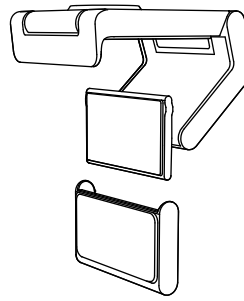


Note:

- The mount adaptor can be removed and reused for mounting adjustments without leaving residue.
- To clean the micro-suction pad, rinse with water to remove debris, and let it air dry in order to regain strong suction.

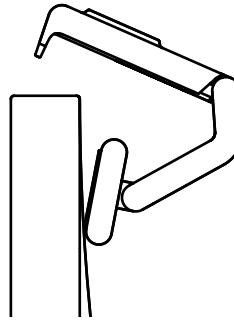
(Optional) Placement without the micro-suction pad

Slide the removable mount adapter down to remove it from the webcam foot. Adjust the foot on the mounting clip until it is flush with the back of your device and press firmly in place.



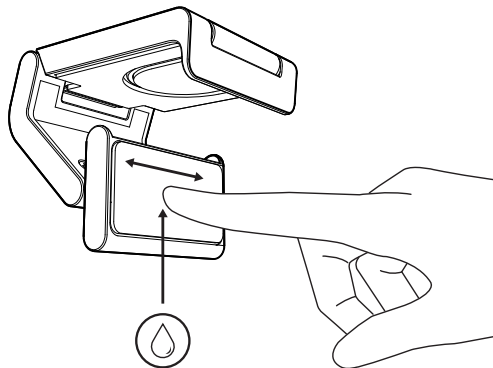
STEP 3: MOUNT ADAPTOR REMOVAL AND CLEANING

1. Remove the webcam from mount and gently peel the adaptor from one corner to remove.



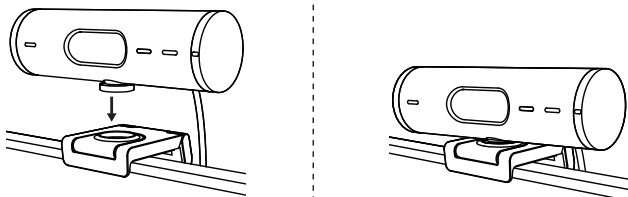
2. With a wet finger gently rub the pad clear of dust and dirt and let the micro-suction pad air dry completely before remounting (do not use cloth or tissue to dry).

3. Repeat the monitor placement setup steps to best deploy your webcam.



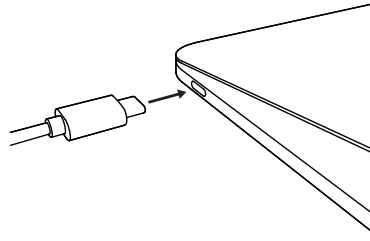
STEP 4: ATTACH CAMERA TO THE MOUNT

Place the webcam into the magnet attachment point on top of the mount. Listen for an audible click indicating the webcam is properly seated on the mount.

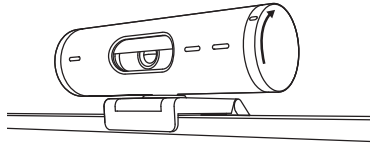


STEP 5: CONNECT THE WEBCAM VIA USB-C & GET STARTED

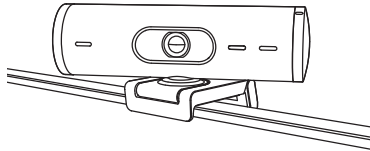
1. Plug the USB-C connector into the USB-C port on your computer, monitor, laptop, or docking station.



2. Rotate the dial on the right side of the webcam to open/close the privacy shutter.



3. Adjust the webcam by turning side to side and tilting up and down to find the best framing for your video meetings.



STEP 6: SUCCESSFUL CONNECTION

LED activity light will light up when the webcam is in use by any video application.

LED activity lights:

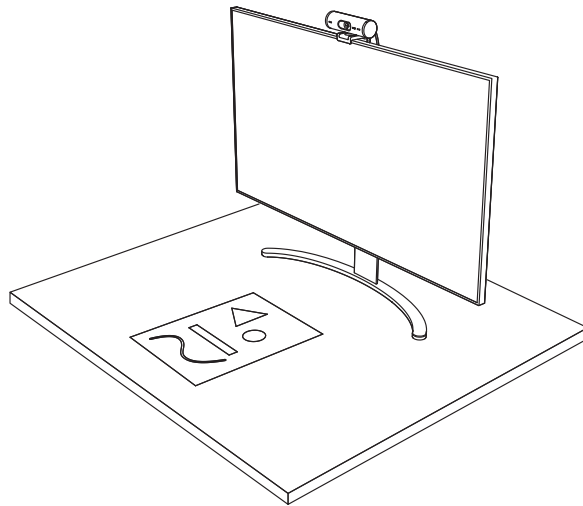
- Video ON / Audio ON: White
- Video ON / Audio OFF: White
- Video OFF / Audio ON: Yellow
- Video OFF / Audio OFF: No light
- Firmware Update: Breathing Lilac



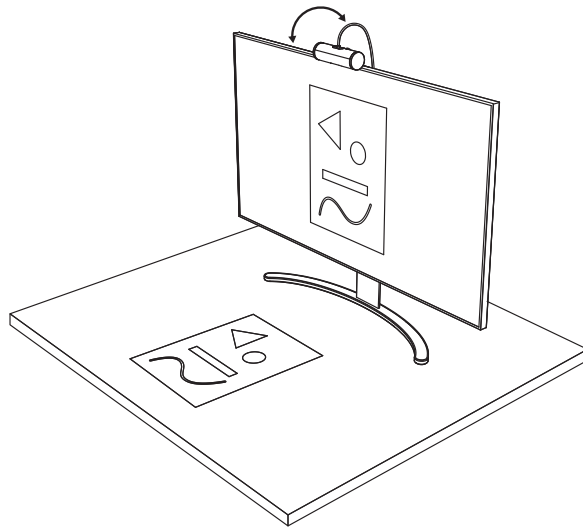
STEP 7: SHOW MODE

Easily show physical items in video calls by tilting the camera down to present sketches, objects, and work in progress. There are two ways to use Show Mode:

1. **If mount is secured with micro-suction pad:** Using one hand, tilt the camera down to show your desktop, and tilt back up to show yourself.



2. **If mount is not secured with micro-suction pad:** Hold the mount still with one hand and tilt the camera up or down with the other.



STEP 8: LOGI TUNE

Logi Tune helps boost your webcam performance with periodic software and firmware updates.

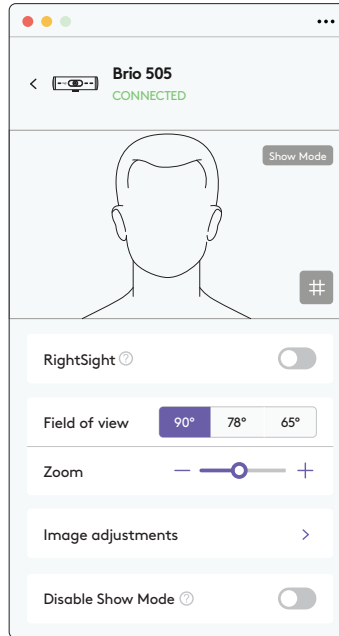
It is recommended to update your webcam. To do so, download Logi Tune from www.logitech.com/tune



www.logitech.com/tune

ADJUSTABLE OPTIONS

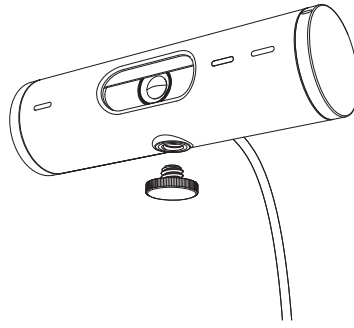
- Show Mode
- Auto-framing
- Zoom adjustment
- Field of View (90°/78°/65°)
- Image adjustment
- Auto-focus
- Disable mics
- LED on/off for video and audio



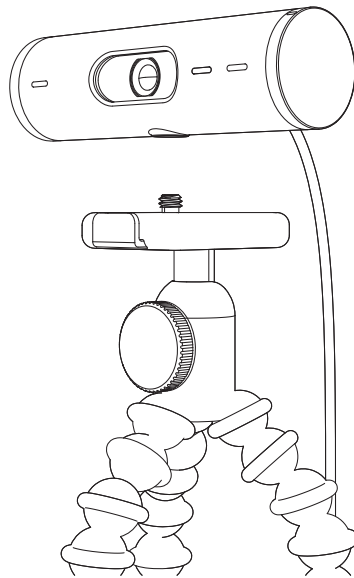
STEP 9: (OPTIONAL) ATTACH TO A TRIPOD

For placement on a tripod (not included)

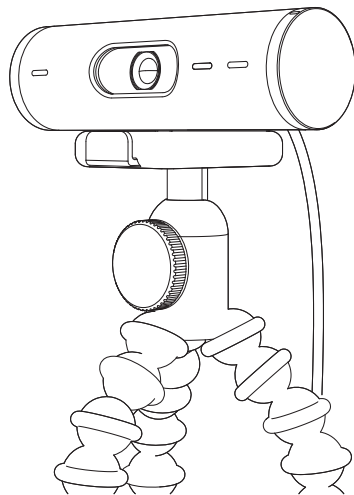
1. Rotate counterclockwise to remove the mounting screw from the bottom of the webcam.



2. Locate the ¼ inch tripod thread on the bottom of the universal mounting clip.



3. Secure the webcam on your tripod by twisting it into the ¼ inch thread.
4. Repeat the monitor placement setup steps to best deploy your webcam.
5. Please refer to step 5 and 6 to complete your webcam setup.



DIMENSIONS

WEBCAM:

Height x Width x Depth:

1.2 in (31.5 mm) x 4.3 in (110 mm) x 1.2 in (31.5 mm)

Height x Width x Depth (incl. mount clip):

2 in (51.5 mm) x 4.3 in (110 mm) x 1.8 in (45 mm)

Weight: 4.2 oz (121 g), incl. mount clip & cable

Attached Cable length: 5 ft (1.5 m)

MOUNTING CLIP:

Height x Width x Depth:

1 in (25 mm) x 1.8 in (45.8 mm) x 2.6 in (65.1 mm)

Weight: 1.4 oz (40 g), incl. Removable mount adapter

www.logitech.com/support/Brio505

© 2022 Logitech. Logitech, Logi and the Logitech logo are trademarks or registered trademarks of Logitech Europe S.A. and/or its affiliates in the U.S. and other countries. The Bluetooth® word mark and logos are registered trademarks owned by Bluetooth SIG, Inc. and any use of such marks by Logitech is under license. USB-C is a registered trademark of USB Implementers Forum. All other trademarks are the property of their respective owners. Logitech assumes no responsibility for any errors that may appear in this manual. Information contained herein is subject to change without notice.