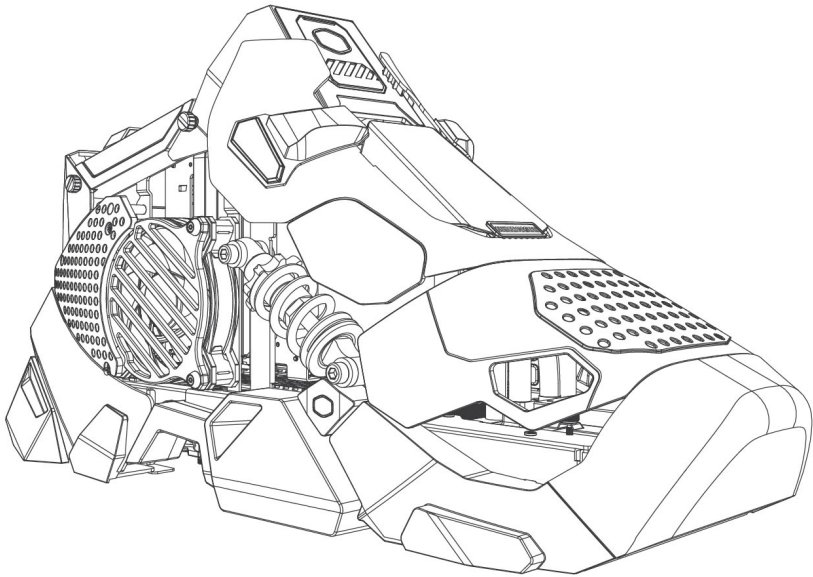




# SNEAKER X



User manual / English

Инструкция за експлоатация / Български

安装说明 / 简体中文

安裝說明 / 繁體中文

Handuch / Deutsch

Manual de Usuario / Español

Manuel de l'utilisateur / Français

Manuale d'uso / Italiano

ユーザーズマニュアル / 日本語

Handleiding / Nederlands

Instrukcja Użytkownika / Polski





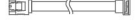


# CONTENTS






<b>Package Content</b>	<b>1</b>
<b>Buttons/LED Configuration</b>	<b>2</b>
<b>Basic Installation</b>	
1. Remove exterior parts before assembly	<b>3</b>
2. Remove connector bridge and SSD tray	<b>3</b>
3. Remove PSU cage	<b>3</b>
4. Remove MB tray	<b>4</b>
<b>Install Motherboard</b>	<b>4</b>
<b>Install PSU</b>	<b>5</b>
<b>Install Cooling head</b>	<b>7</b>
<b>Install 2.5" drives</b>	<b>8</b>
<b>Install GPU</b>	<b>9</b>
<b>Finish Installation</b>	
1. Connect the PWR switch cable to the motherboard	<b>9</b>
2. Re-install the connecting bridge	<b>9</b>
3. Assemble the left side cover	<b>10</b>
4. Assemble the tongue component	<b>10</b>
5. Assemble the heel component	<b>10</b>
6. Install AC power cord	<b>10</b>
7. Press the power button	<b>10</b>
<b>Warranty Information</b>	<b>11</b>

# Package Content










## CASE

	Figure	Name	Q'ty	Used for
<b>A</b>		#6-32*6mm screw	16	Motherboard & GPU
<b>B</b>		#M3*4 screw	4	Installing SSD
<b>C</b>		SATA data cable	1	Connect to motherboard and SSD SATA port

## PSU

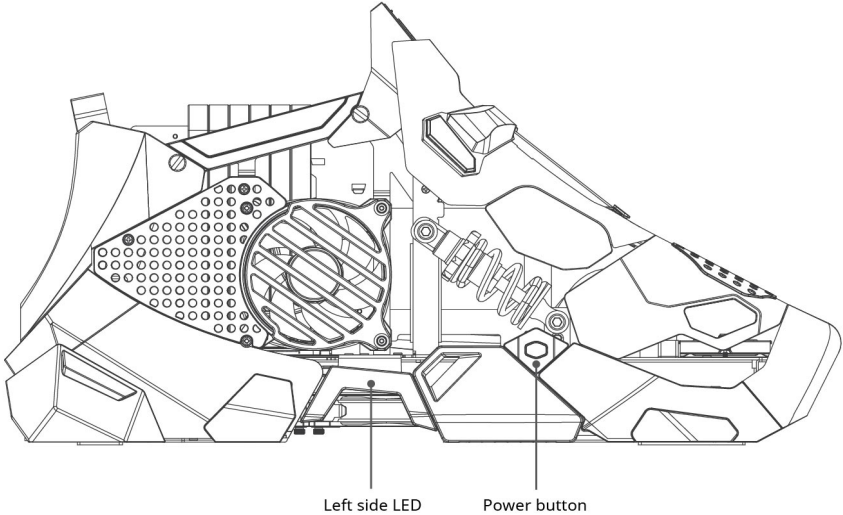
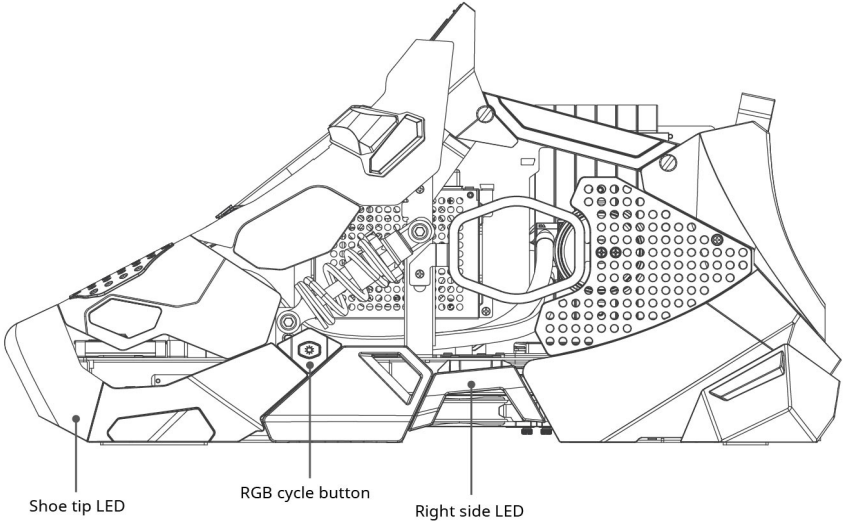
	Figure	Name	Q'ty	Used for
<b>D</b>		AC Power Cord	1	Connect to outlet
<b>E</b>		8pin Cable	1	Motherboard 8pin CPU
<b>F</b>		12VHPWR Power Connector	1	Graphics card (PCIe) port
<b>G</b>		6pin to SATA cable	1	Connect SSD sata power
<b>H</b>		24pin Cable	1	Motherboard 24pin port

## COOLING

	Figure	Name	Q'ty	Used for
<b>I</b>		Intel 115x/1200 Backplane	1	Intel 115x/1200
<b>J</b>		Intel 1851/1700 Backplane	1	Intel 1851/1700
<b>K</b>		Intel Bracket	2	Intel 115x/1200/1700/1851/2066/2011-v3/2011
<b>L</b>		AMD Bracket	2	AMD AM4/AM5
<b>M</b>		Thermal Paste	1	CPU heat dissipation
<b>N</b>		Φ8*8 M3 nut	4	Lock Intel & AMD Socket
<b>O</b>		Bracket Screw	4	Lock Intel & AMD Bracket
<b>P</b>		Intel 2066/2011-v3/2011	4	Intel 2066/2011-v3/2011
<b>Q</b>		Intel 1851/1700/1200 /115x Screw	4	Intel 1851/1700/1200/115x

# BUTTON/LED CONFIGURATION

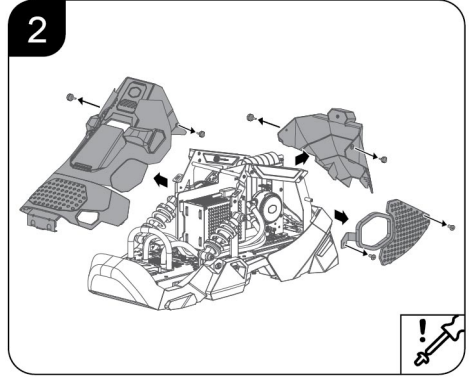
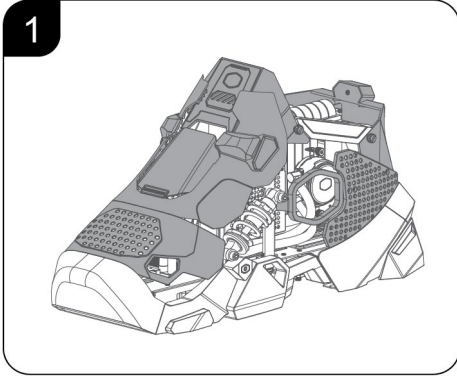
\*Before assembling, confirm whether the connectors are in the correct position.



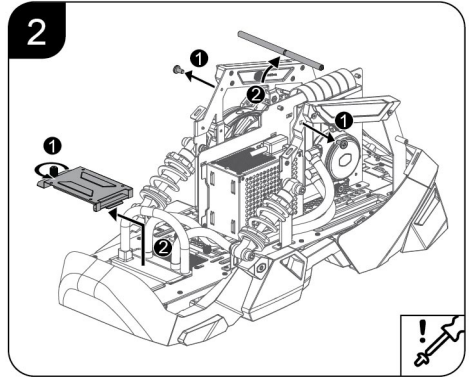
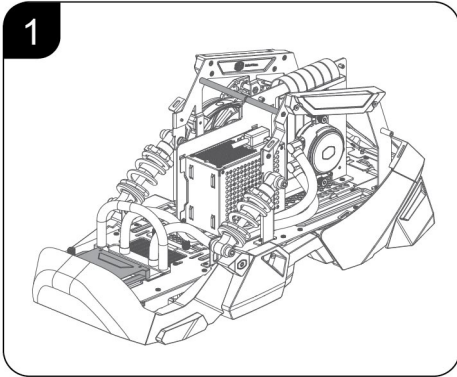


## BASIC INSTALLATION

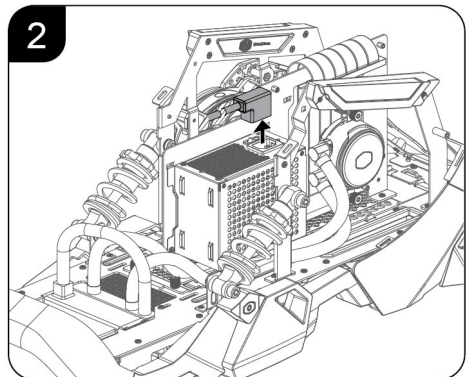
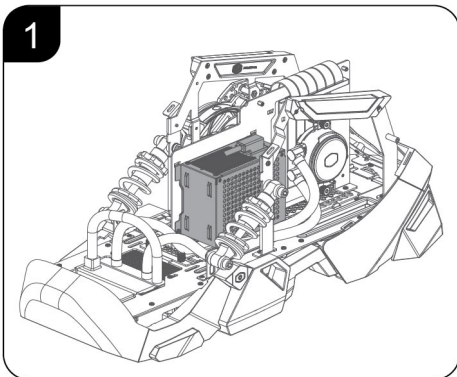
1. Remove exterior parts before assembly



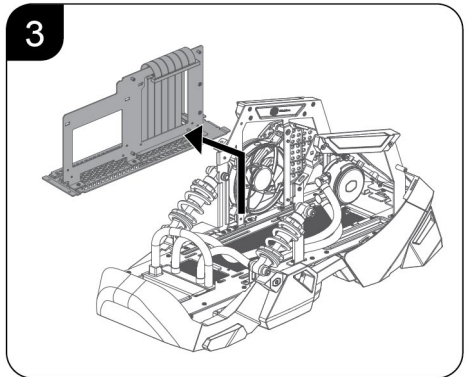
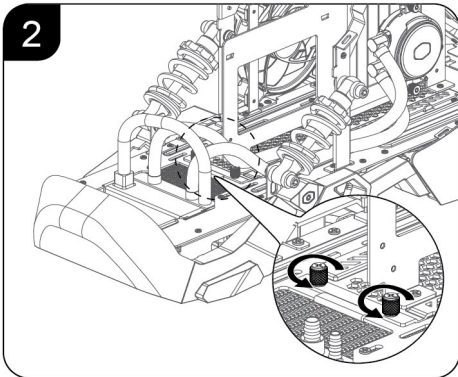
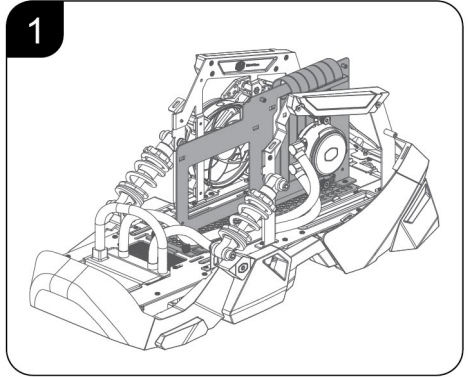
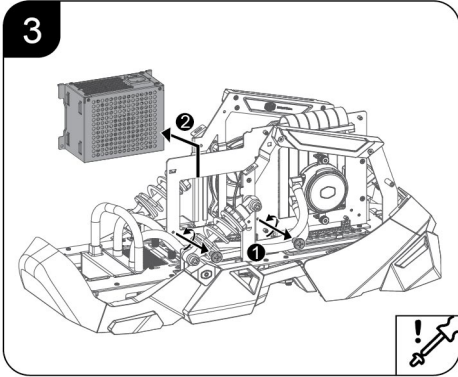
2. Remove connector bridge and SSD tray



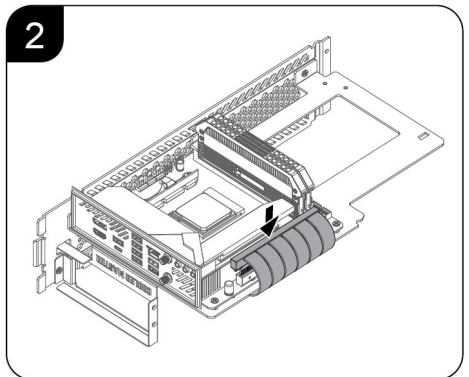
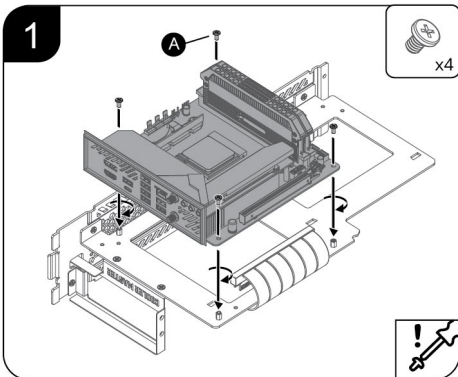
3. Remove PSU cage

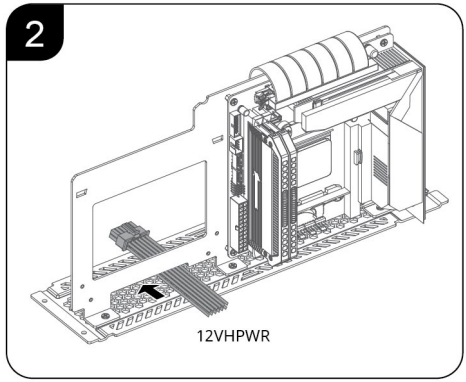
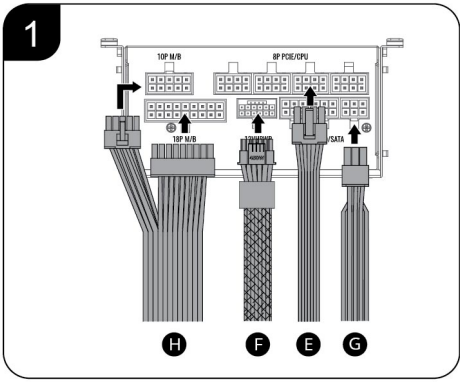
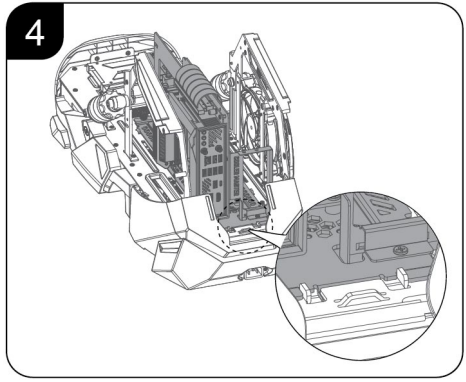
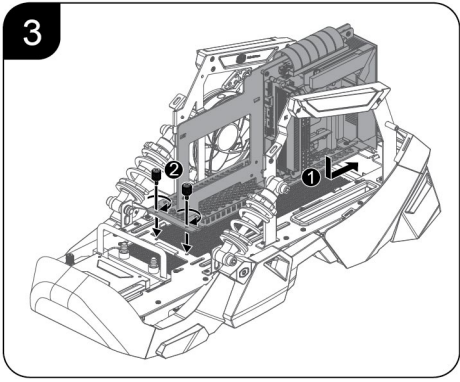


4. Remove MB tray

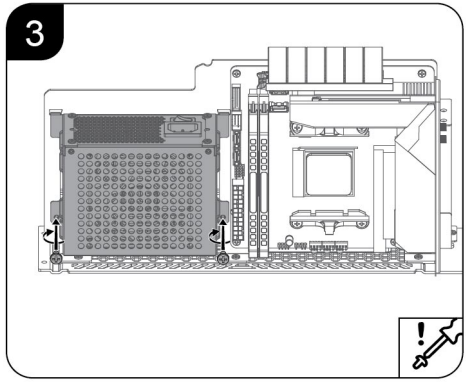
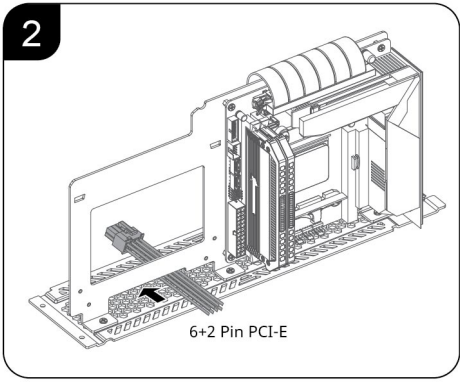


MOTHERBOARD



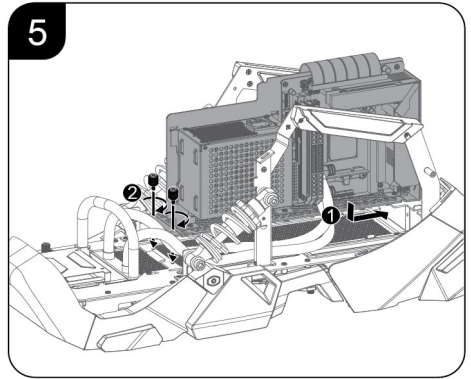
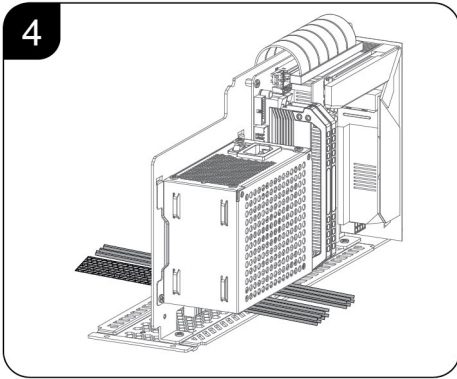


or

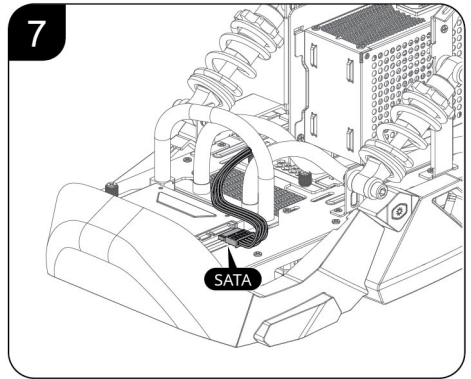
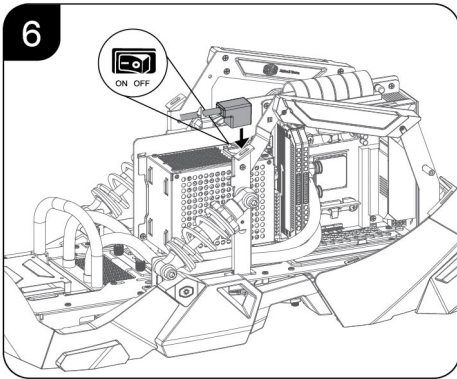




PSU Assembly Completed Example.

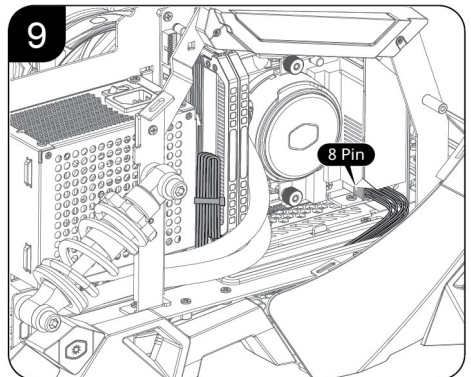
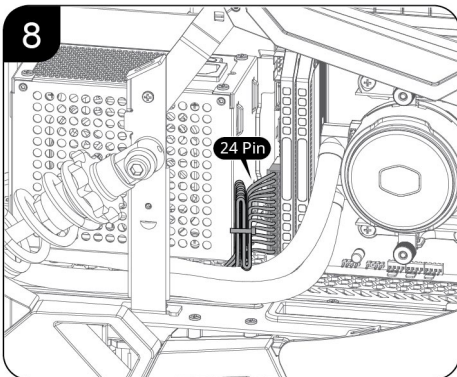


PSU left side: Water tubes and SATA power cables.

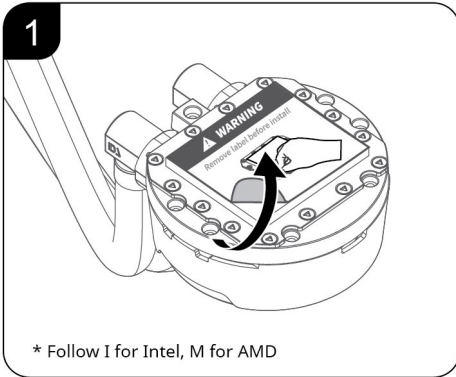


PSU right side: 24-pin and CPU power cables.

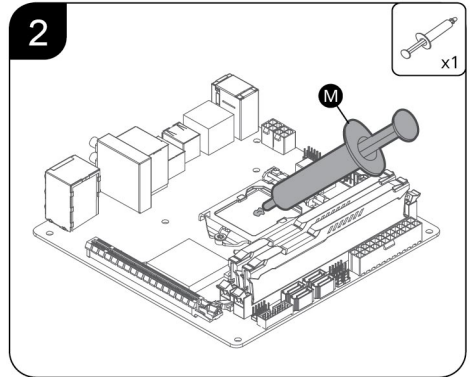
Motherboard bottom cable slot.



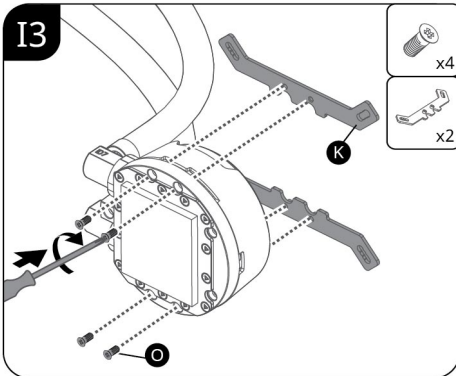
1. Intel & AMD



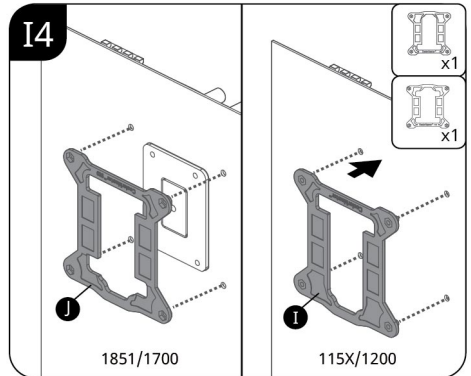
2. Intel & AMD



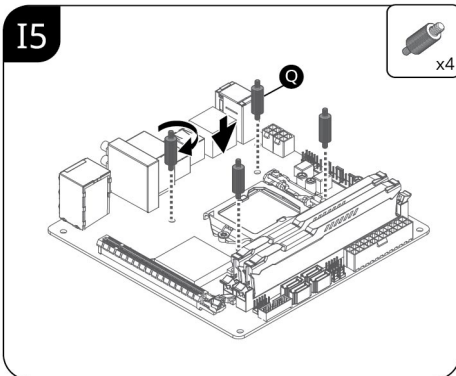
3. Intel LGA 1851/1700/1200/115X



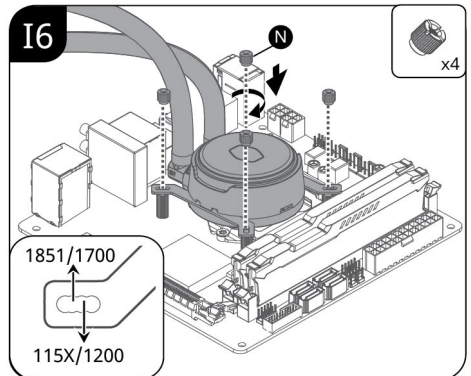
4. Intel LGA 1851/1700/1200/115X



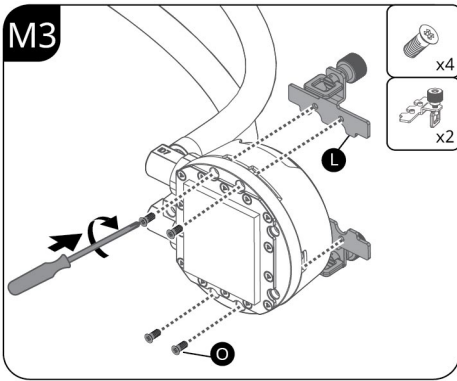
5. Intel LGA 1851/1700/1200/115X



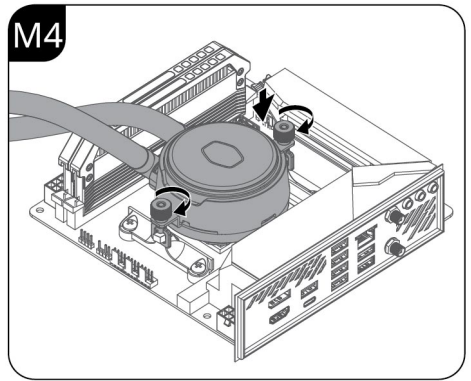
6. Intel LGA 1851/1700/1200/115X



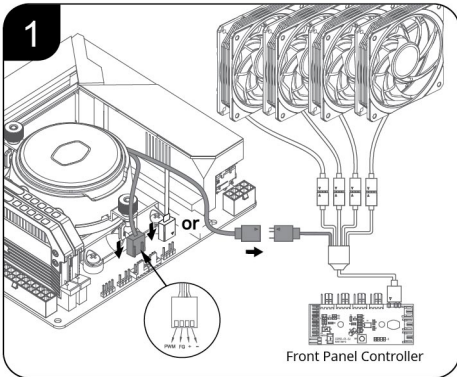
3. AMD Socket AM5/AM4/AM3+/AM3/AM2+/FM2+



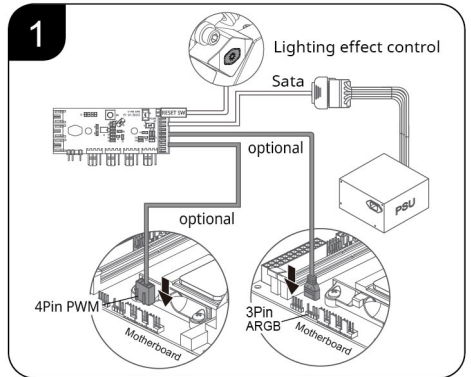
4. AMD Socket AM5/AM4/AM3+/AM3/AM2+/FM2+



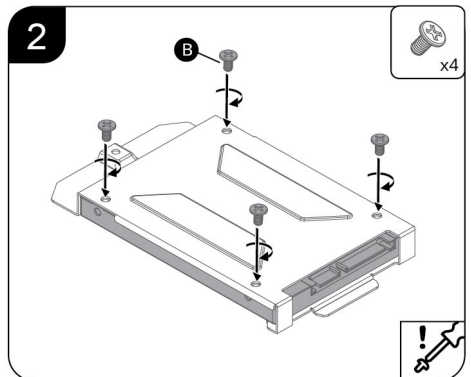
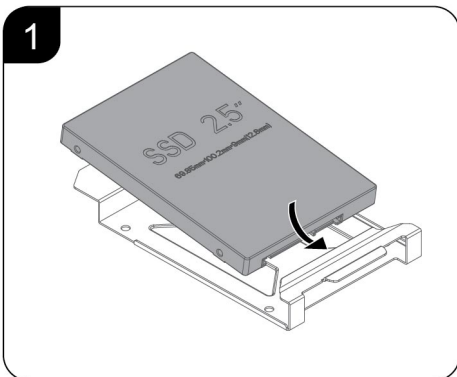
Intel & AMD



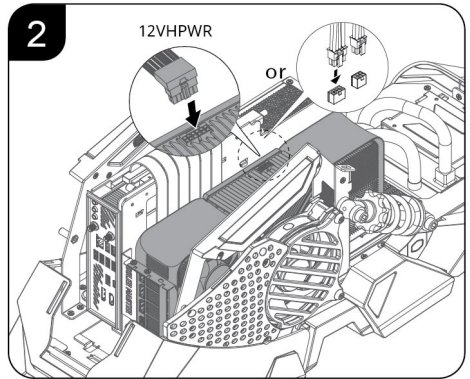
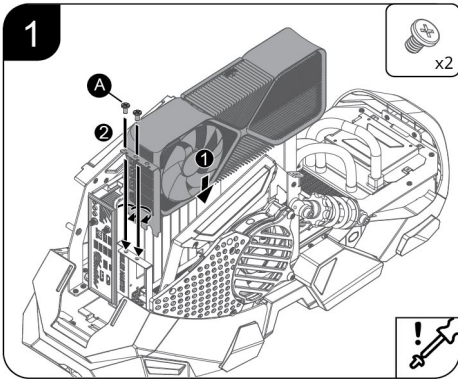
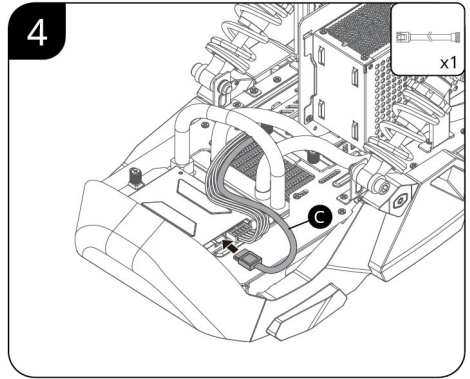
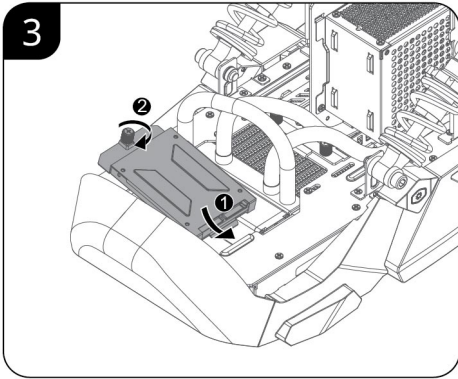
Front Panel Controller



SSD 2.5" SSD

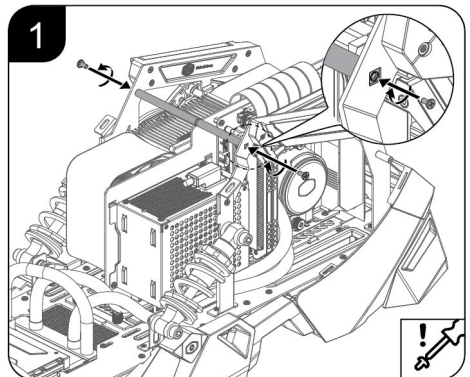
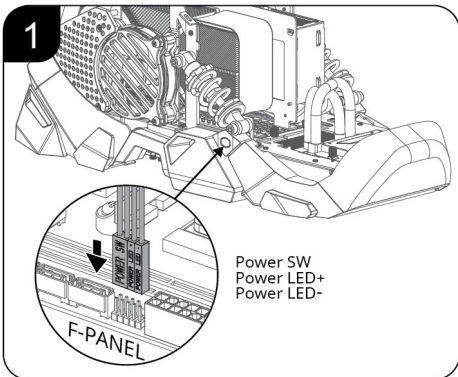


\*If you want to use the motherboard ARGB control, you need to connect to the motherboard, if you want to use the built-in lighting effects of CM, you don't need to install it.

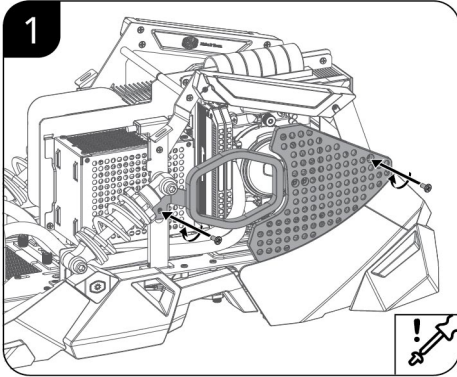


1. Connect the PWR switch cable to the motherboard

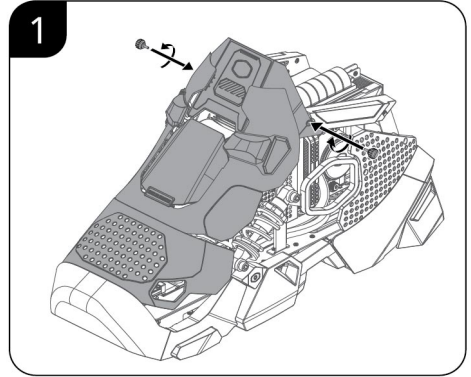
2. Re-install the connecting bridge



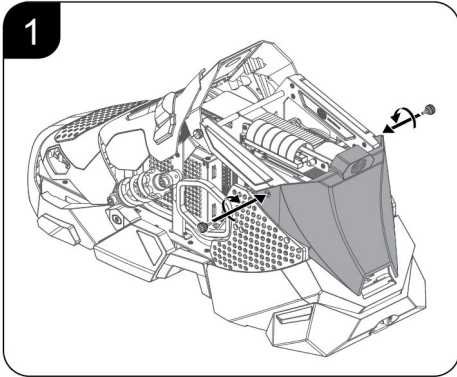
3. Assemble the left side cover



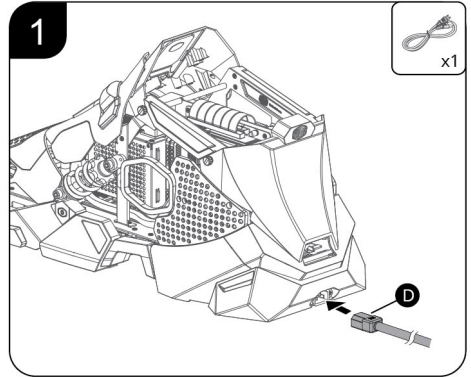
4. Assemble the tongue component



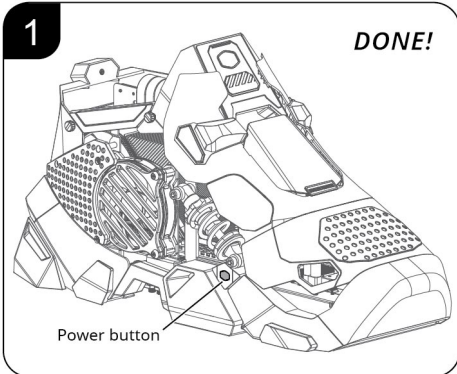
5. Assemble the heel component



6. Install AC power cord



7. Press the power button



# WARRANTY INFORMATION

EN

Cooler Master guarantees that this device is free of defect in material and workmanship, and provides a one year limited hardware warranty for the device commencing from the date of purchase. Please keep your receipt for proof of purchase. This product is designed for computer usage only. Using this device in any other capacity voids the warranty.

The warranty offered covers normal use. Defect or damage that result from improper operation, storage, misuse or abuse, accident or neglect, which are not the fault of Cooler Master, are excluded from warranty coverage.

Note: the warranty is voided by removal or alternation of product or parts identification labels.

Regarding the warranty, if there is a problem with the product, returns will be accepted within 30 days from the purchase date, and after that, repairs will be handled.

Criteria for determining initial appearance defects:

1. Spot scratches with an area of 1 mm<sup>2</sup> or larger; line scratches with a width of 0.2 mm or larger and a length of 3 mm or longer.
2. Stains on the material that cannot be removed with detergent or alcohol, covering an area of 1 mm<sup>2</sup> or larger, as well as color differences, unevenness, and bubbles.
3. Visible paint peeling, wrinkles, and distortion.

If the above conditions are observed within 7 days of purchase, please contact the store where you bought the product.

\*In case of conflict between the warranty provided by the country of point of sale and this manual, the warranty of the actual country of point of sale shall be the prevailing document.

\*In case of malfunction of electronic components or need of accessories purchase during the warranty period, please contact the store where you bought the product.

JP

Cooler Masterは、この製品が材料および加工に欠陥がないことを保証し、購入日から1年間の限定ハードウェア保証を提供します。購入証明のためにレシート領収書などを保管してください。

この製品は、コンピュータの使用にのみ設計されています。他の用途で使用すると保証が無効になります。

提供される保証は一般的なシステムでの使用範囲を想定しています。不適切な操作、保管、誤用、乱用、事故、または放置によって生じた欠陥や損傷は、保証対象外となり、Cooler Masterは一切の責任を負いません。

注：製品または部品の識別ラベルを削除または変更すると、保証は無効になります。

保証について、製品に問題が発生した場合、購入日から30日以内は返品対応とし、それ以後修理対応とします。

外観初期不良の判断基準について：

- 1.面積1mm<sup>2</sup>以上の点状キズ；幅0.2mm以上&長3mm以上の線状キズ。
- 2.中性洗剤、アルコールで落とせない面積1mm<sup>2</sup>以上の素材の汚れ、異色点、凹凸、バブル。
- 3.目視で確認できる塗料剥がれ、しわ、歪み。

購入後7日以内製品に上記状況が確認された場合、購入元の店舗にお問い合わせください。

\*販売地点の保証とこのマニュアルの間で矛盾がある場合は、販売地点の実際の保証が優先されます。

\*保証期間中に電子部品の故障やアクセサリーの購入が必要な場合は、購入元の店舗にお問い合わせください。

(EN) Limited warranty period: <http://www.coolermaster.com/service/warranty.html>  
(AR) المحدود الضمان فترة : <http://www.coolermaster.com/service/warranty.html>  
(BG) Период на ограничена гаранция: <http://www.coolermaster.com/service/warranty.html>  
(CS) Období omezené záruky: <http://www.coolermaster.com/service/warranty.html>  
(DA) Begrænset garanti: <http://www.coolermaster.com/service/warranty.html>  
(DE) Beschränkter Garantiezeitraum: <http://www.coolermaster.com/service/warranty.html>  
(EL) Περίοδος περιορισμένης εγγύησης: <http://www.coolermaster.com/service/warranty.html>  
(ES) Periodo de garantía limitada: <http://www.coolermaster.com/service/warranty.html>  
(FA) مدت زمان گارانتی : <http://www.coolermaster.com/service/warranty.html>  
(FI) Rajoitettu takuujakso: <http://www.coolermaster.com/service/warranty.html>  
(FR) Période de garantie limitée: <http://www.coolermaster.com/service/warranty.html>  
(HU) Korlátozott jótállási időszak: <http://www.coolermaster.com/service/warranty.html>  
(HR) Razdoblje ograničenog jamstva: <http://www.coolermaster.com/service/warranty.html>  
(ID) Masa garansi terbatas: <http://www.coolermaster.com/service/warranty.html>  
(IT) Periodo di garanzia limitata: <http://www.coolermaster.com/service/warranty.html>  
(JA) 限定保証期間 : <http://www.coolermaster.com/service/warranty.html>  
(KO) 제한 보증 기간 : <http://www.coolermaster.com/service/warranty.html>  
(KK) Кенілдік мерзімі: <http://www.coolermaster.com/service/warranty.html>  
(NL) Beperkte garantieperiode: <http://www.coolermaster.com/service/warranty.html>  
(NO) Garantiperiode, begrenset garanti: <http://www.coolermaster.com/service/warranty.html>  
(PL) Okres ograniczonej gwarancji: <http://www.coolermaster.com/service/warranty.html>  
(PT) Período de garantia limitada: <http://www.coolermaster.com/service/warranty.html>  
(RU) Ограниченный гарантийный срок: <http://www.coolermaster.com/service/warranty.html>  
(SR) Period ograničene garancije: <http://www.coolermaster.com/service/warranty.html>  
(SV) Begränsad garantiperiod: <http://www.coolermaster.com/service/warranty.html>  
(TR) Sınırlı garanti süresi: <http://www.coolermaster.com/service/warranty.html>  
(UK) Обмежений гарантійний термін: <http://www.coolermaster.com/service/warranty.html>  
(ZH) 有限保固期間 : <http://www.coolermaster.com/service/warranty.html>





**Make It Yours.**

China - Cooler Master China  
Room 112, Building 9, No. 327, Songjin Road, Jinshanwei Town,  
Jinshan Dist., Shanghai City, China  
Tel: +86-21-51872177

Europe - Cooler Master Europe B.V.  
Lodewijkstraat 1b, 5652AC Eindhoven, The Netherlands  
Tel: +31-(0)40-702-0900

North America - Cooler Master NA  
1 N Indian Hill Blvd Suite D200 Claremont, CA 91711 U.S.A  
Tel: +1-888-624-5099



**Cooler Master Europe B.V.**  
Lodewijkstraat 1b, 5652AC Eindhoven,  
the Netherlands  
[consumer\\_care@coolermaster.eu](mailto:consumer_care@coolermaster.eu)



**Product Page and Manual**  
Visit Product Page for information,  
manual and other downloads



**Technical Support**  
Just visit: [account.coolermaster.com](https://account.coolermaster.com)

The color and specification are subject to be changed without further notification.  
Please visit our website for updated information: [www.coolermaster.com](https://www.coolermaster.com)



©2024 Cooler Master Technology Inc. All Rights Reserved. All trademarks are registered to their respective owners.