



















# Solar Power Kit

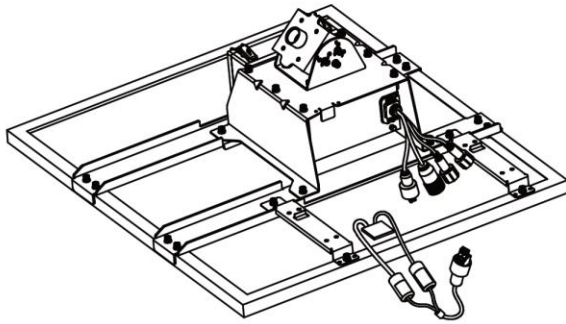
Quick Start Guide

## Symbols and Marks

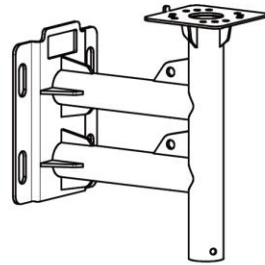
	Notice		<ul style="list-style-type: none"> <li>i. Not necessarily included accessory.</li> <li>ii. Variable accessory amount.</li> <li>iii. Skip this step if not required.</li> </ul>
	Warning	microSD 	MicroSD card
	Forbidden		Purchase separately
	Correct		Disposal
	Incorrect		Functional grounding
	Turn to page A and continue.		Grounding
	Other situations		Skip this step if not necessary
	Waterproof		Other situations omitted

## For More Information

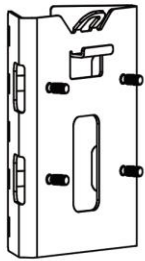




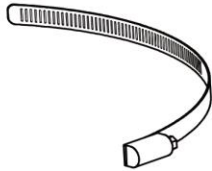
1x



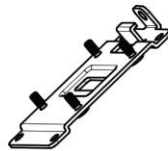
1x



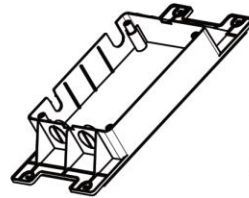
1x



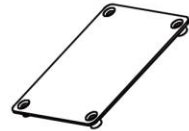
5x



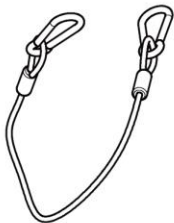
1x



1x



1x



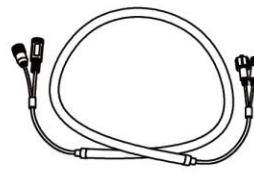
1x



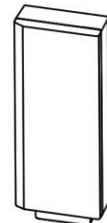
2x



1x\*



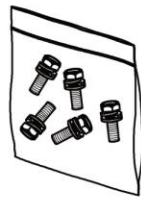
1x\*



4x

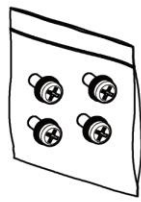


1x



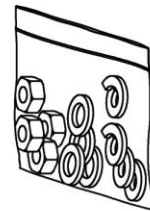
HSFM6x18

1x



PSFM4x10

1x

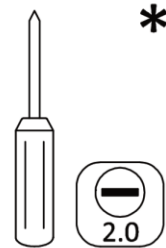
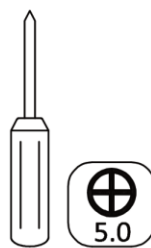
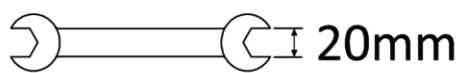
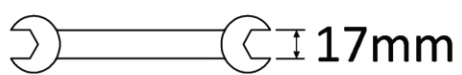
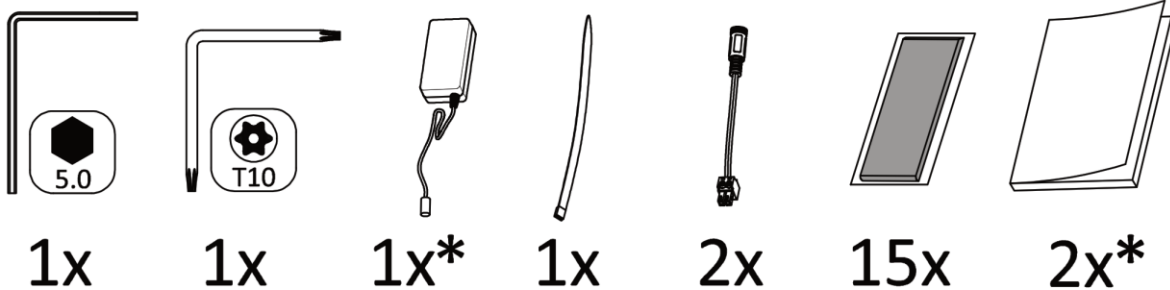


M10

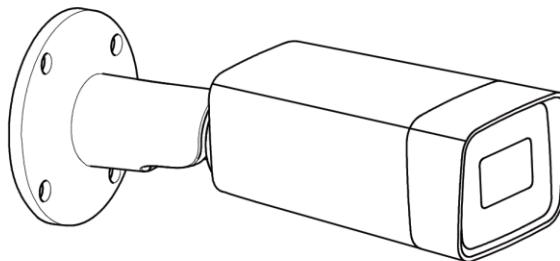
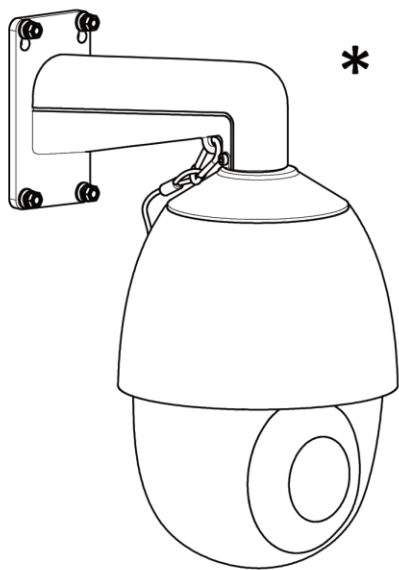
1x



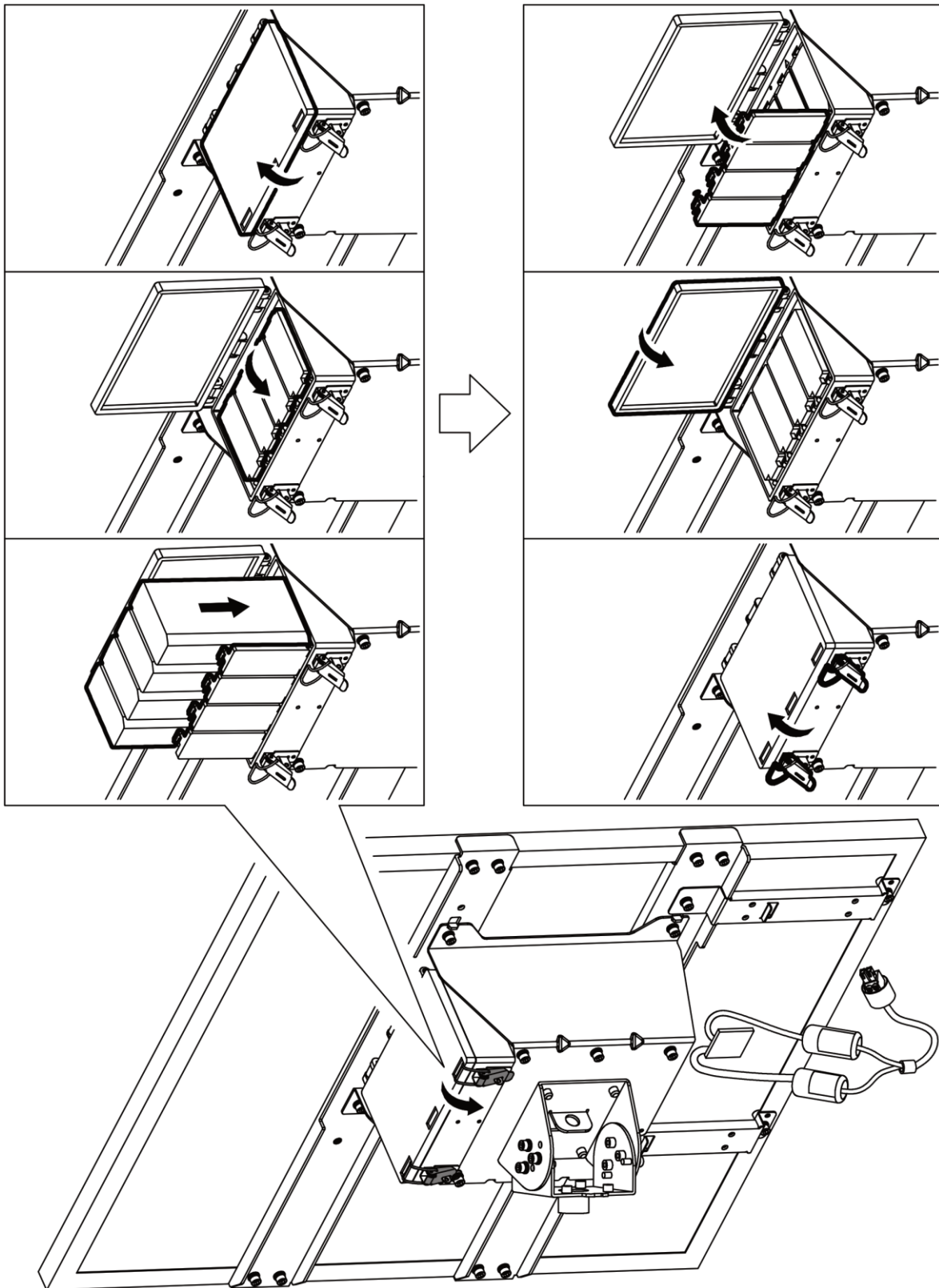
1x



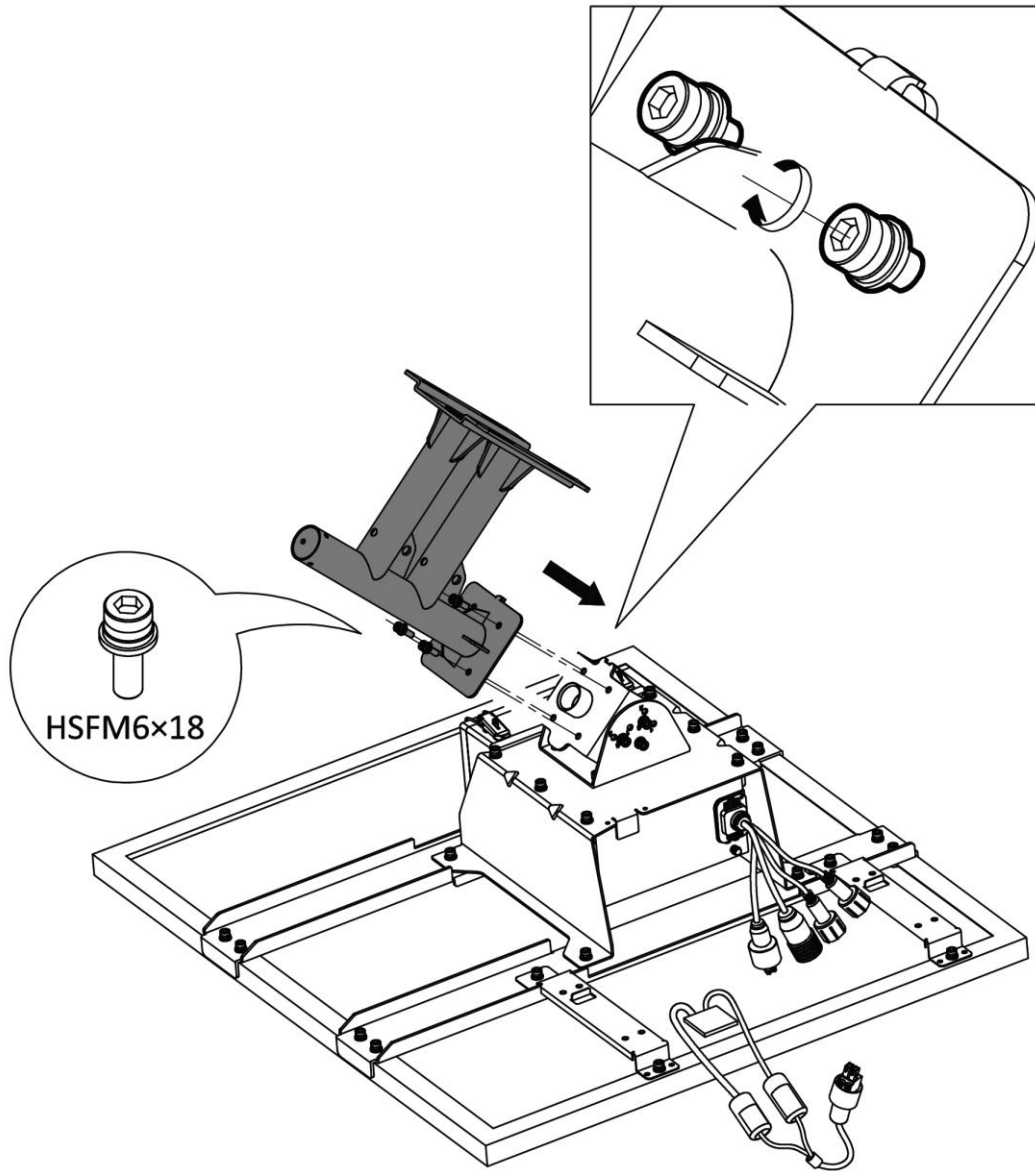
\*



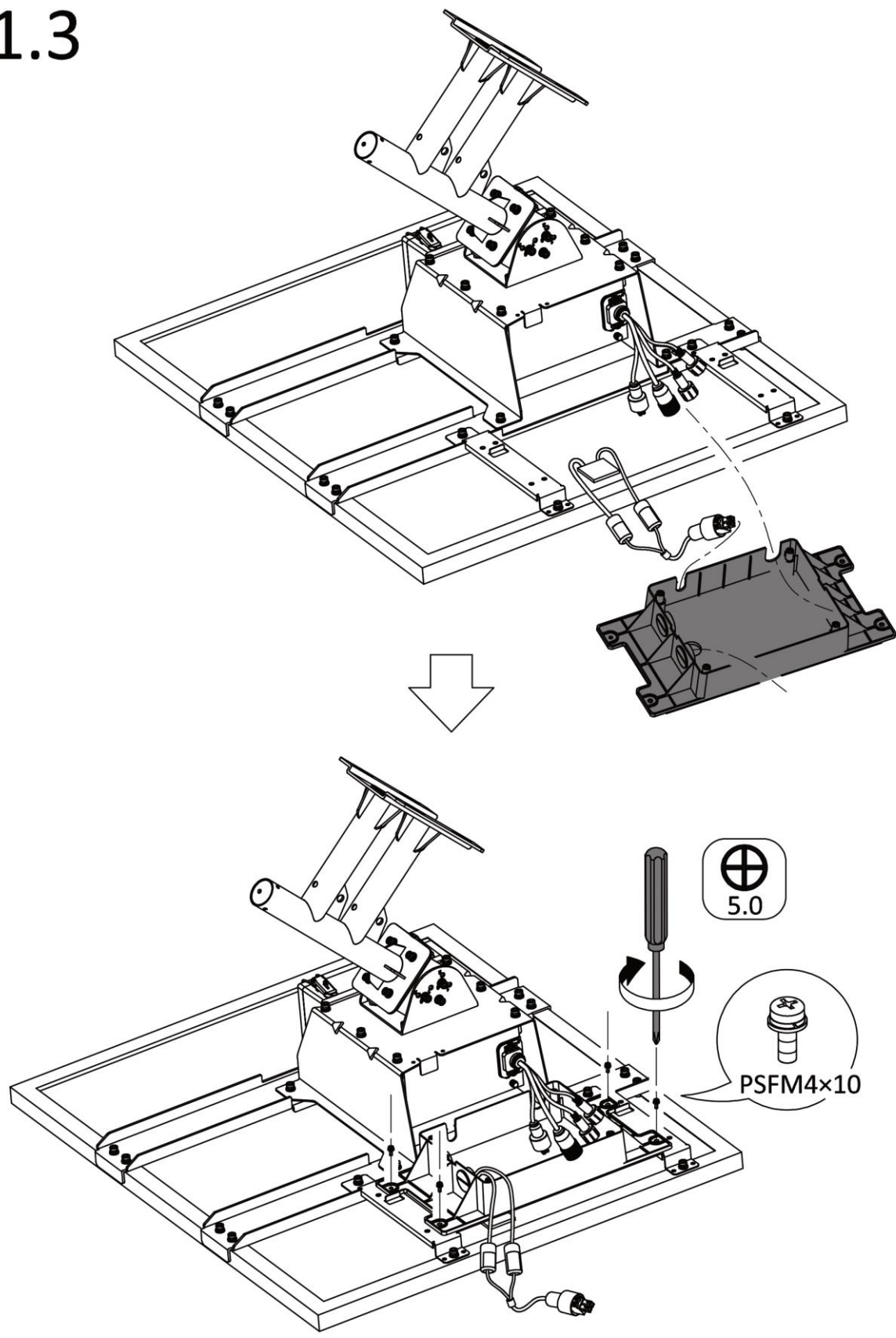
# 1.1



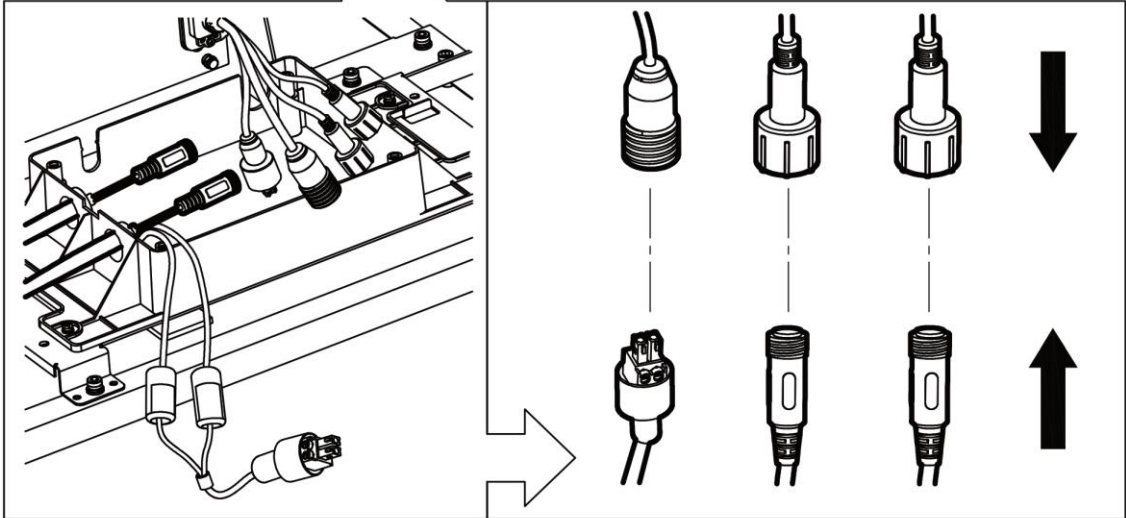
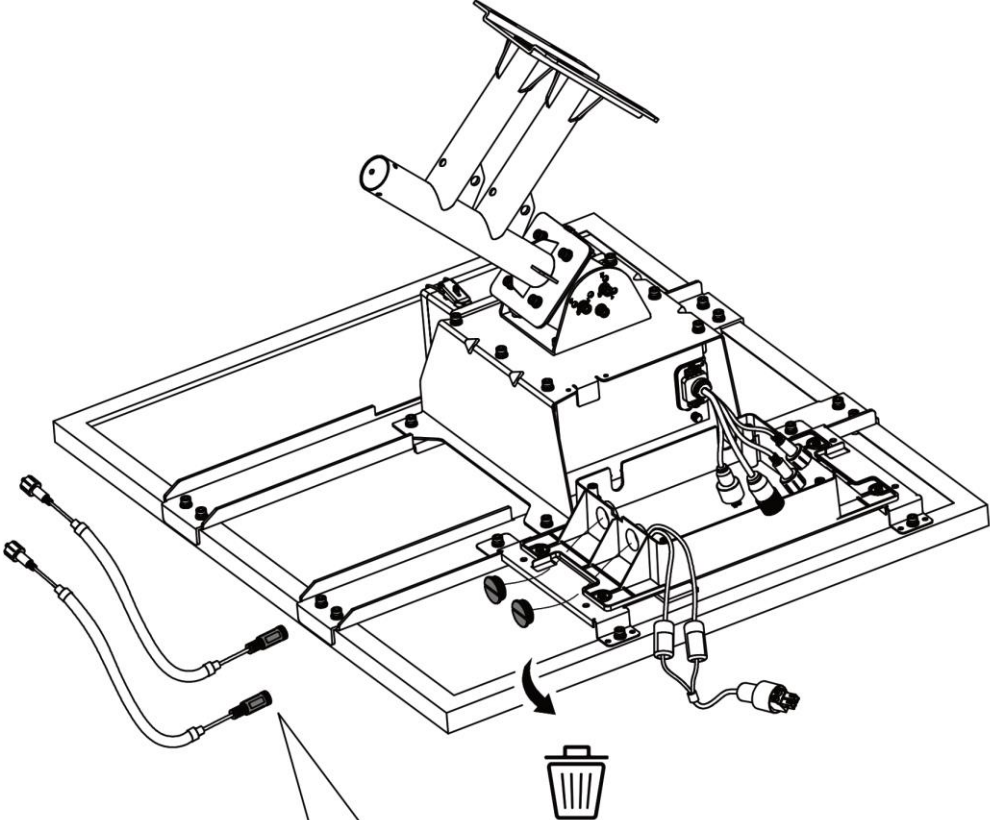
# 1.2



# 1.3

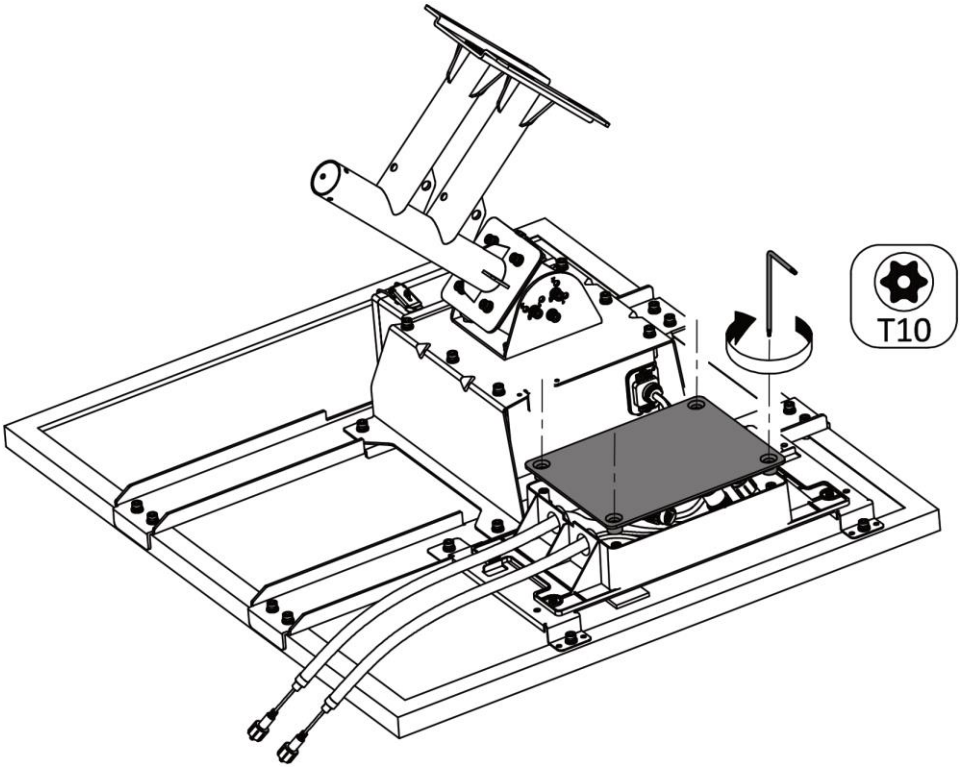


# 1.4

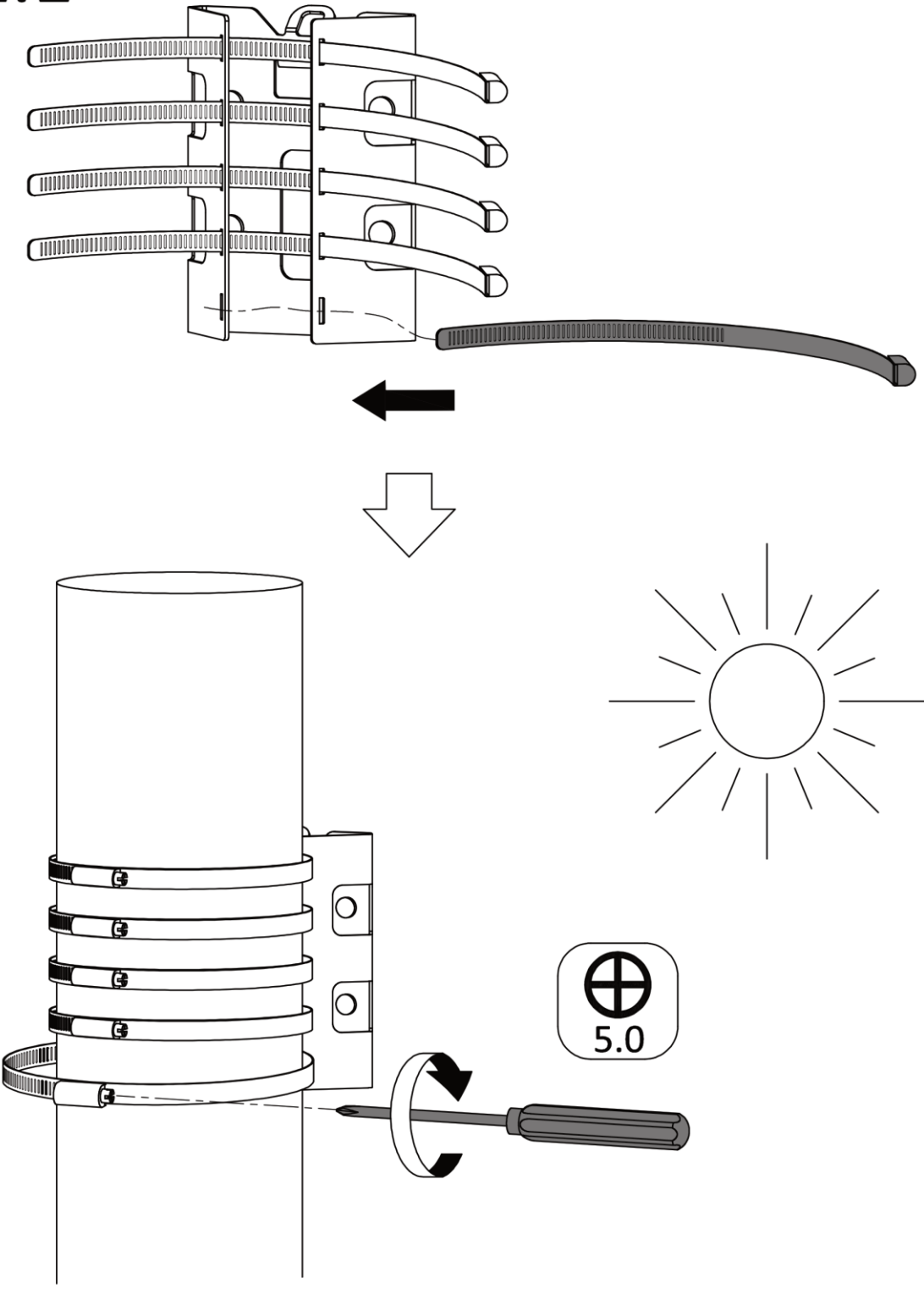




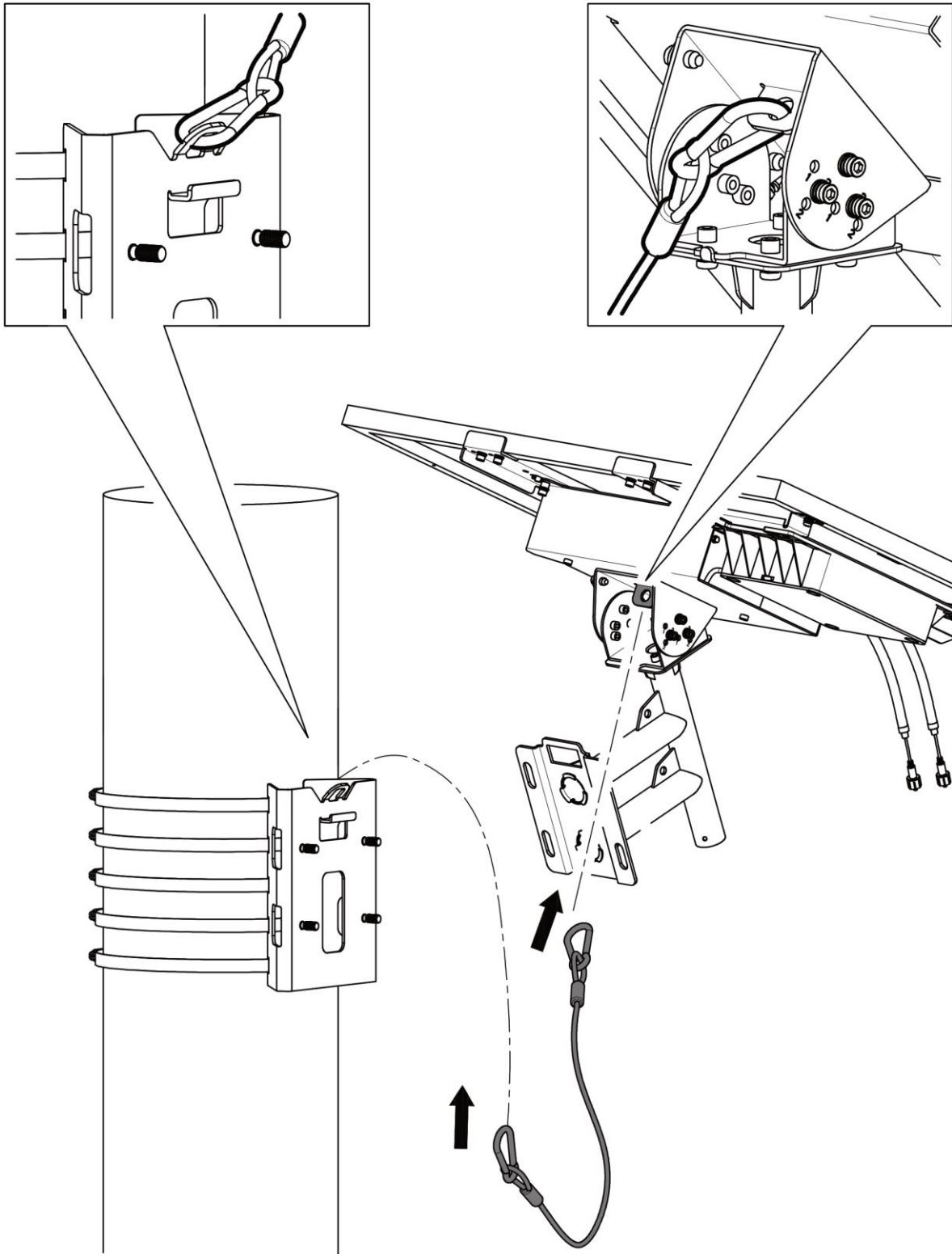
# 1.5



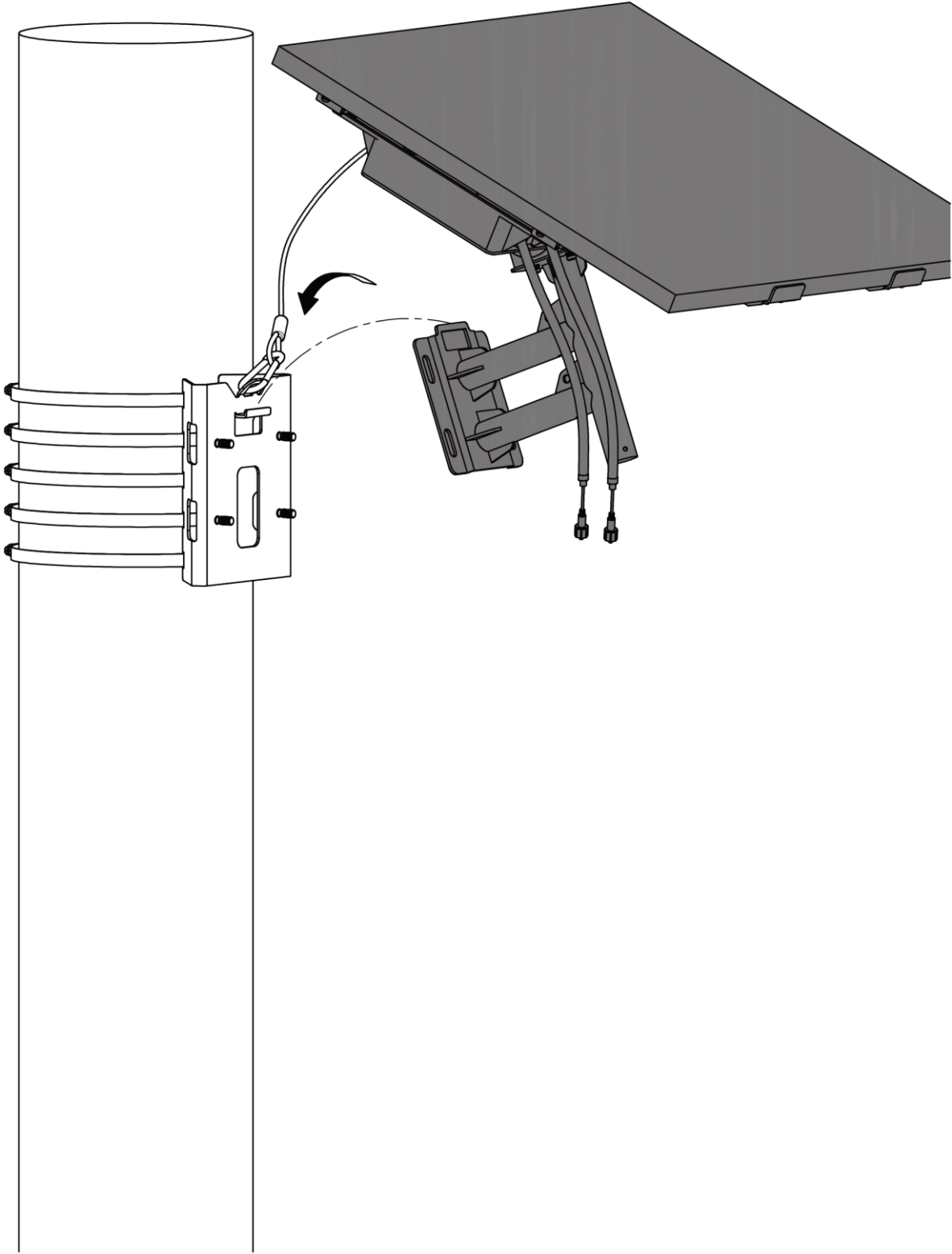
# 2.1



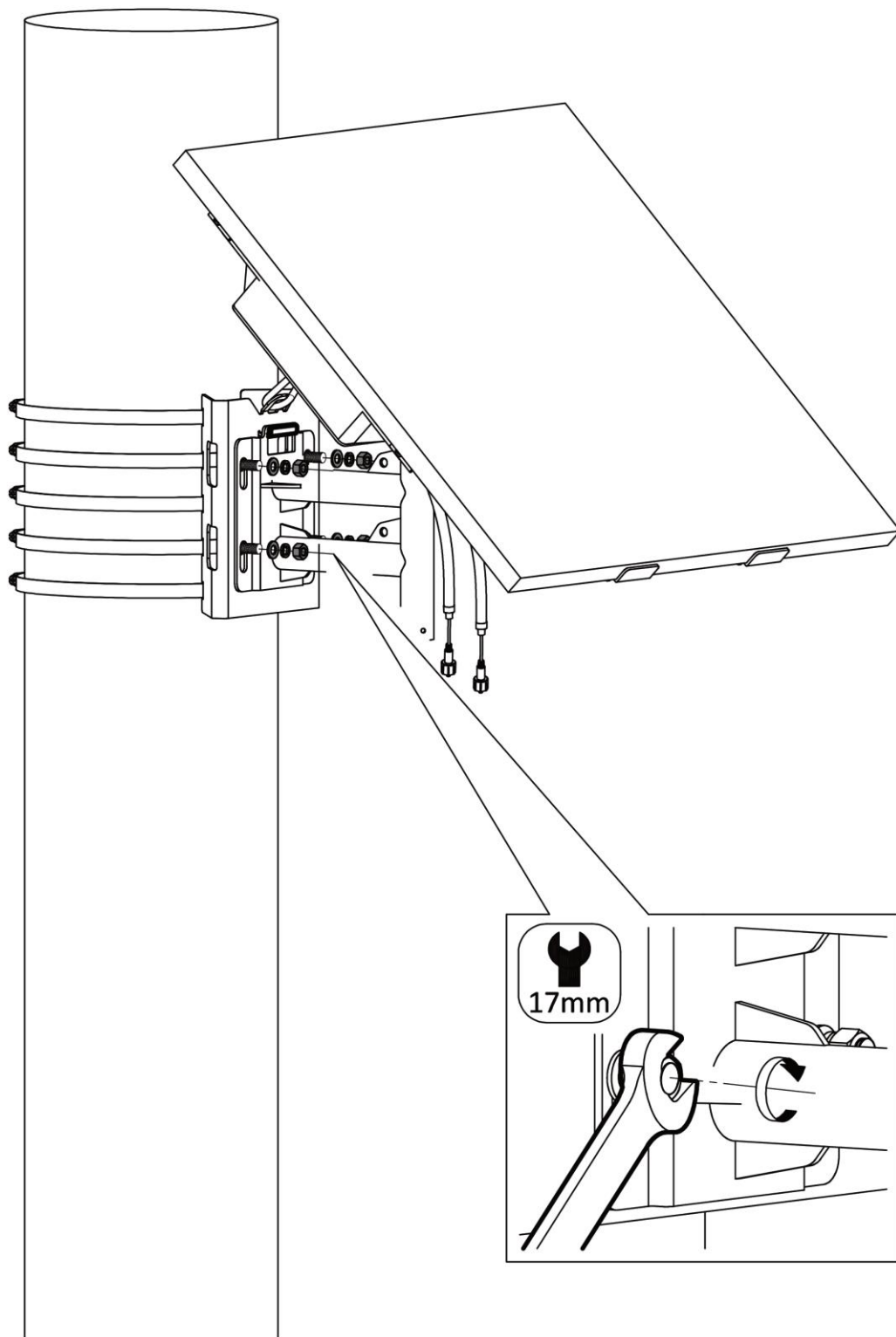
# 2.2



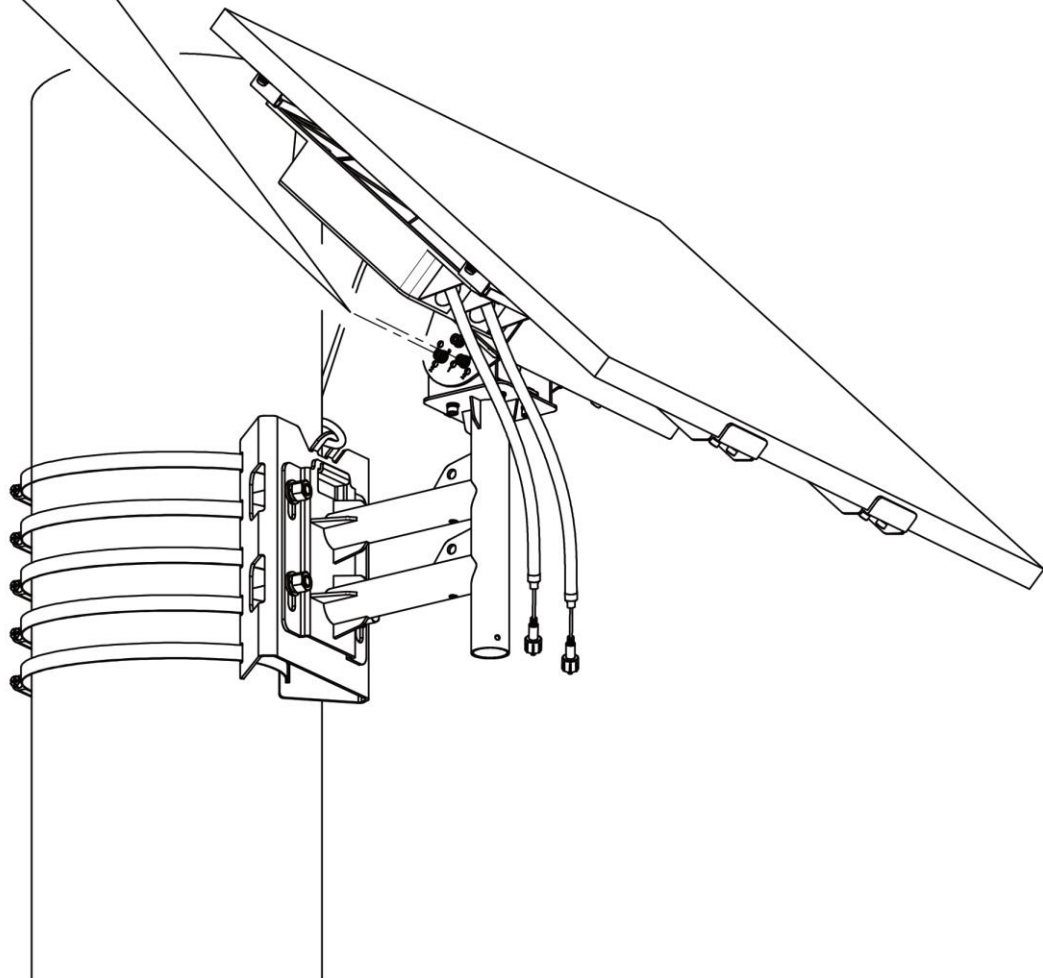
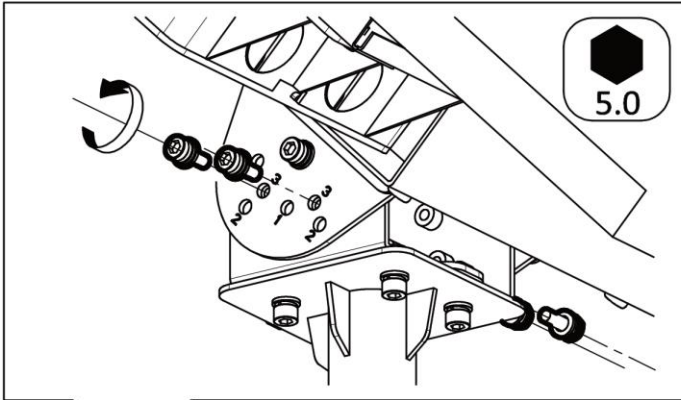
# 2.3



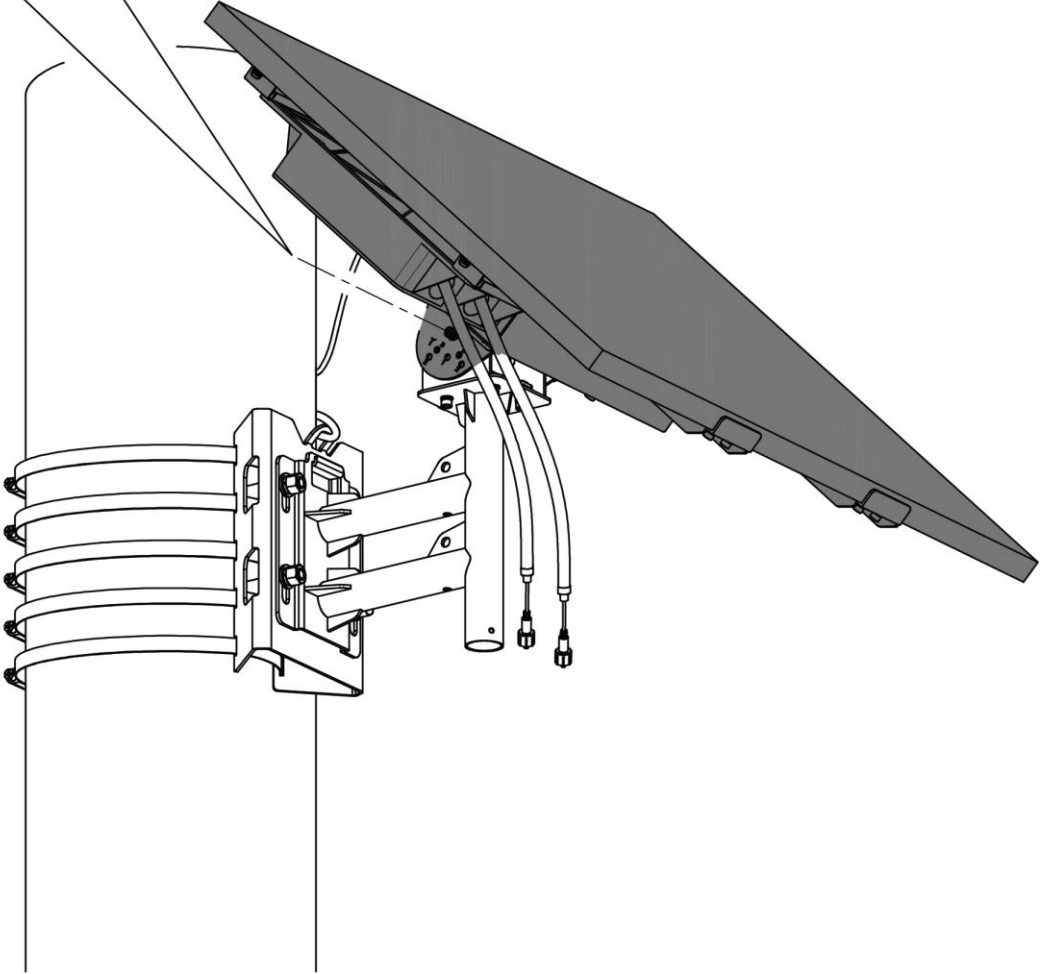
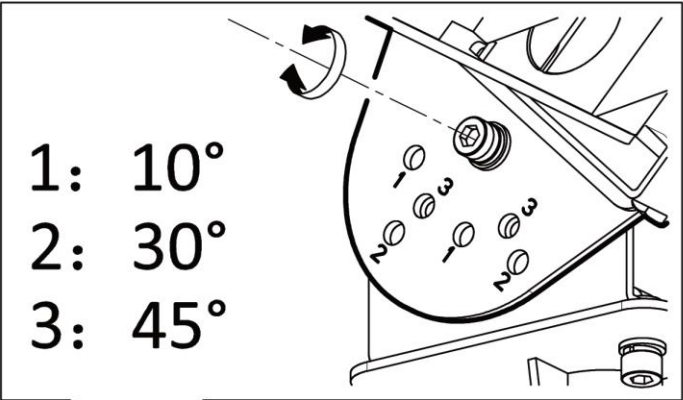
# 2.4



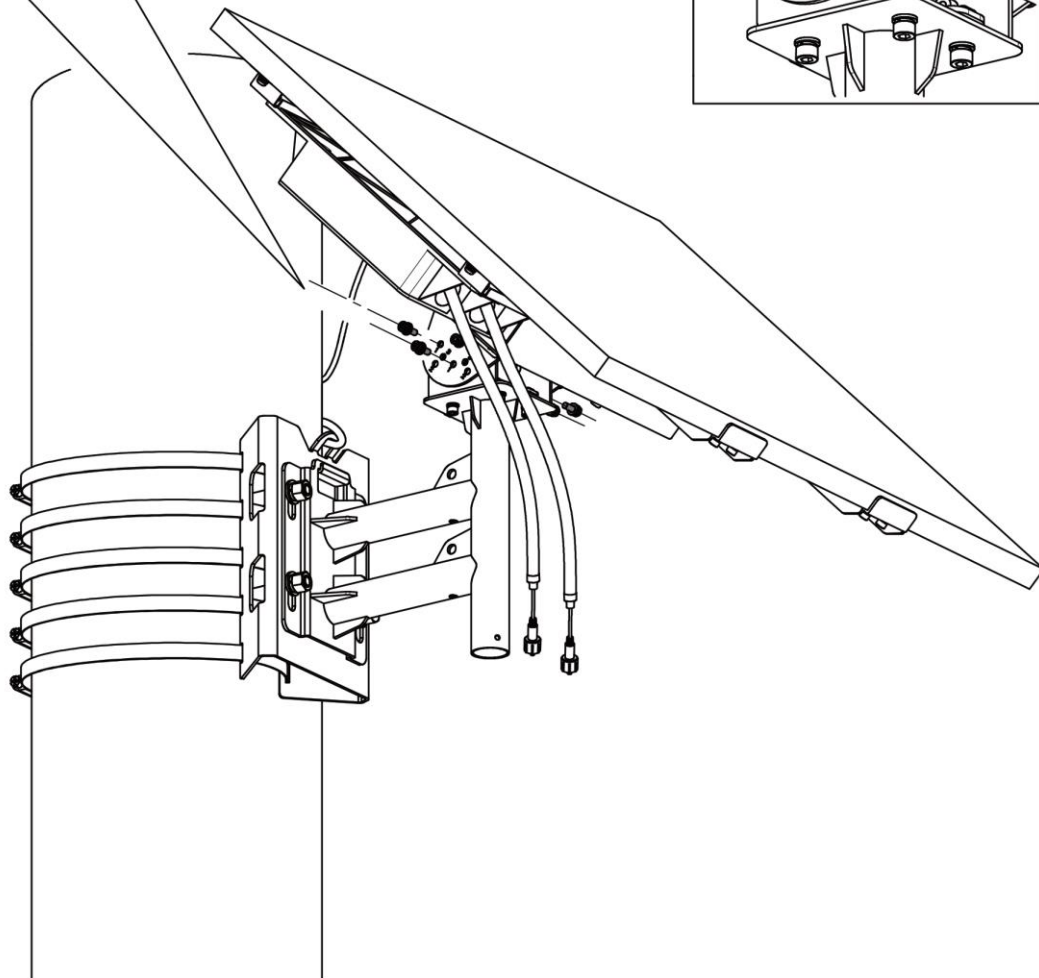
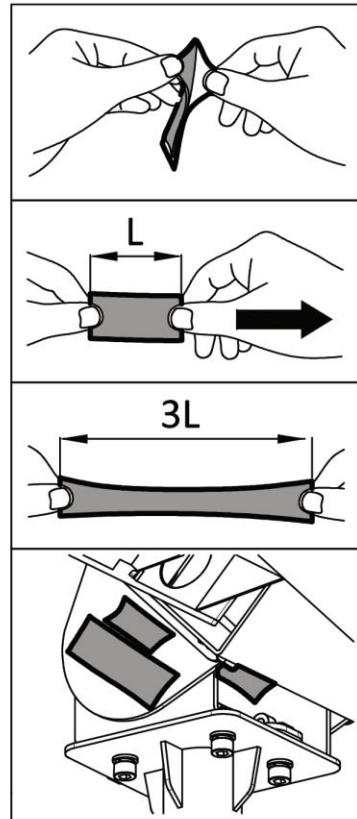
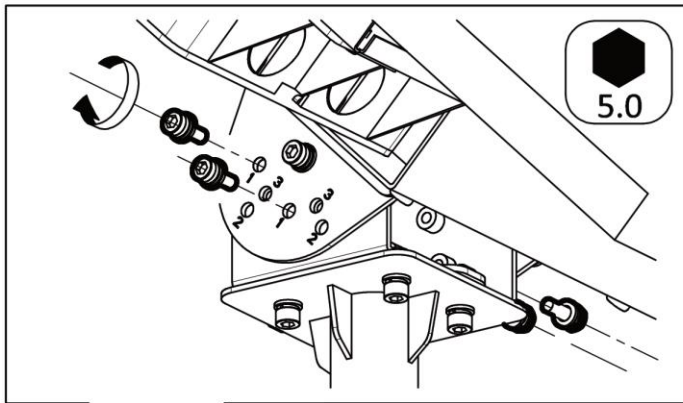
# 3.1



# 3.2

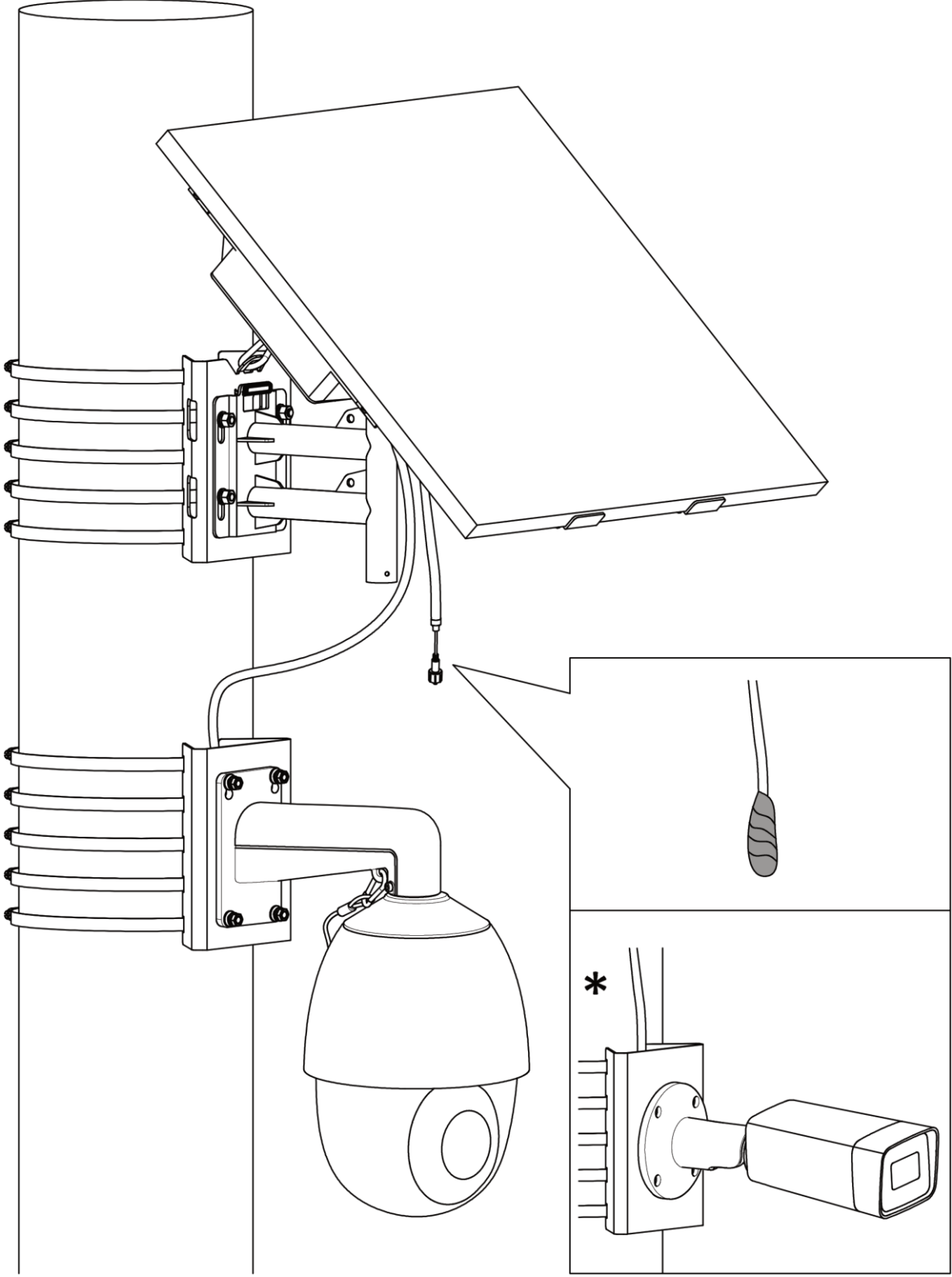


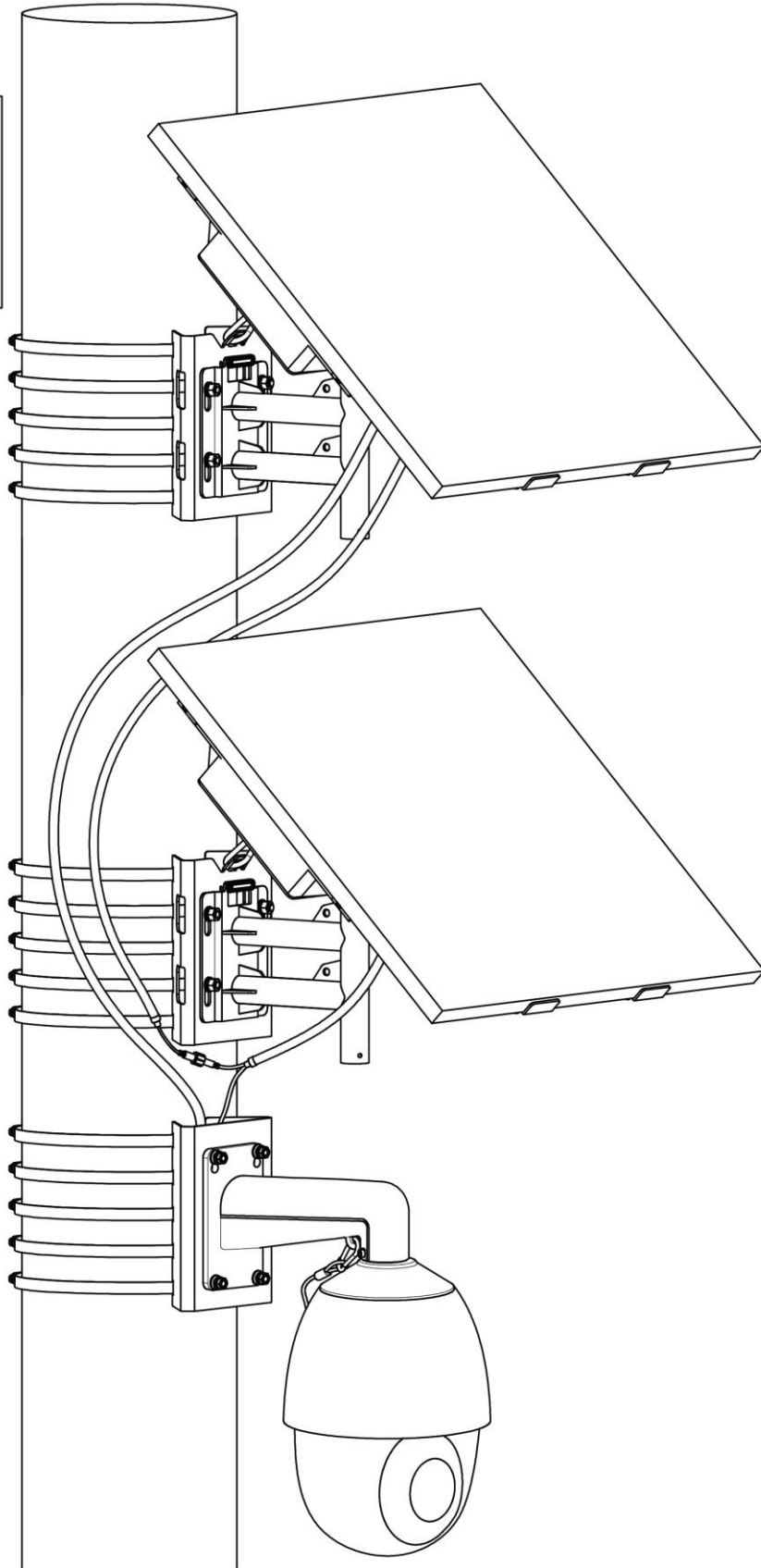
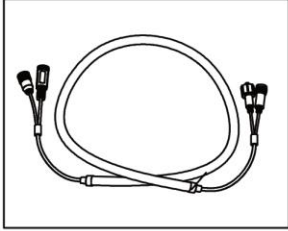
# 3.3

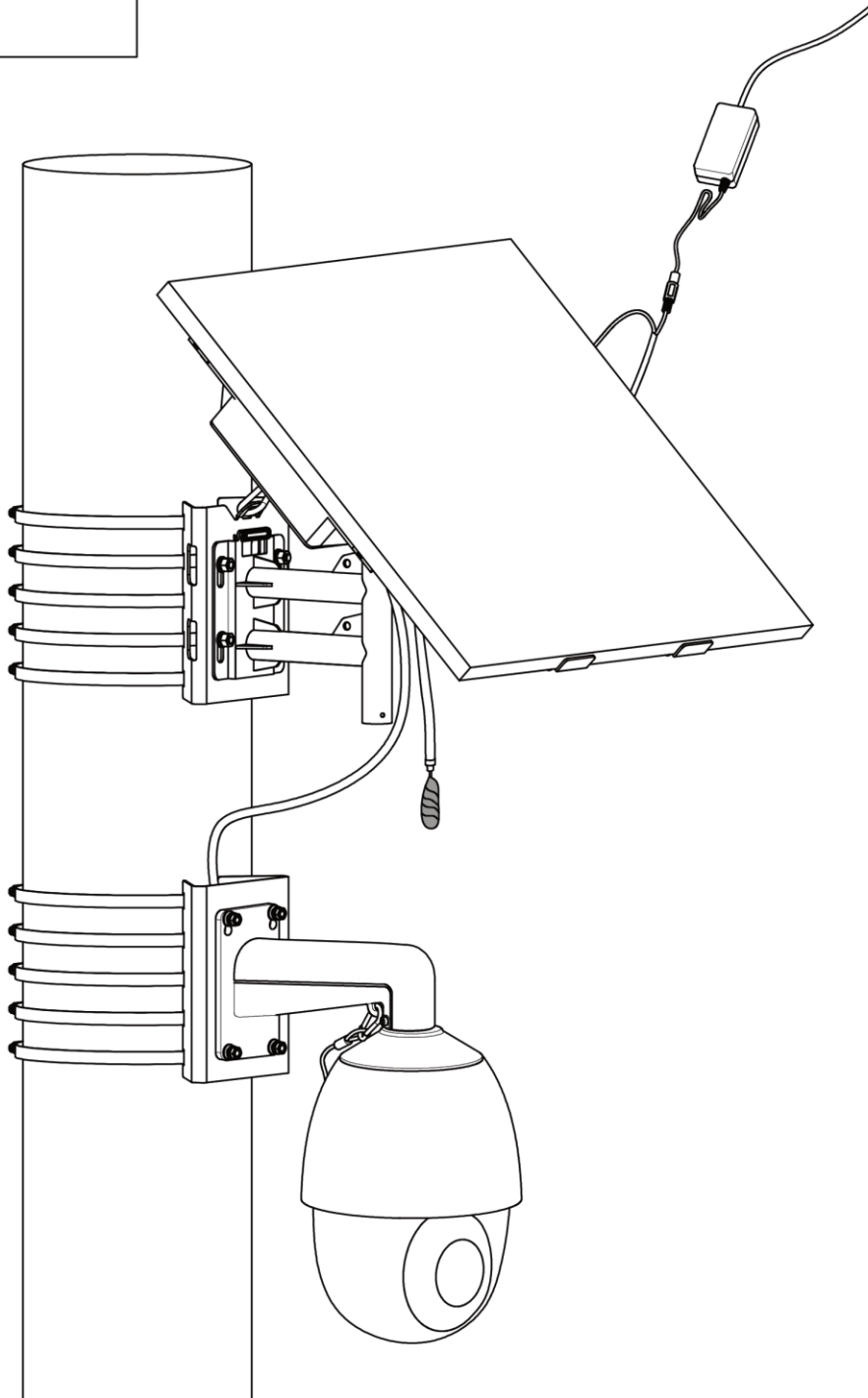
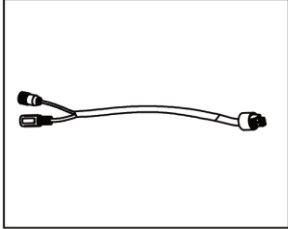


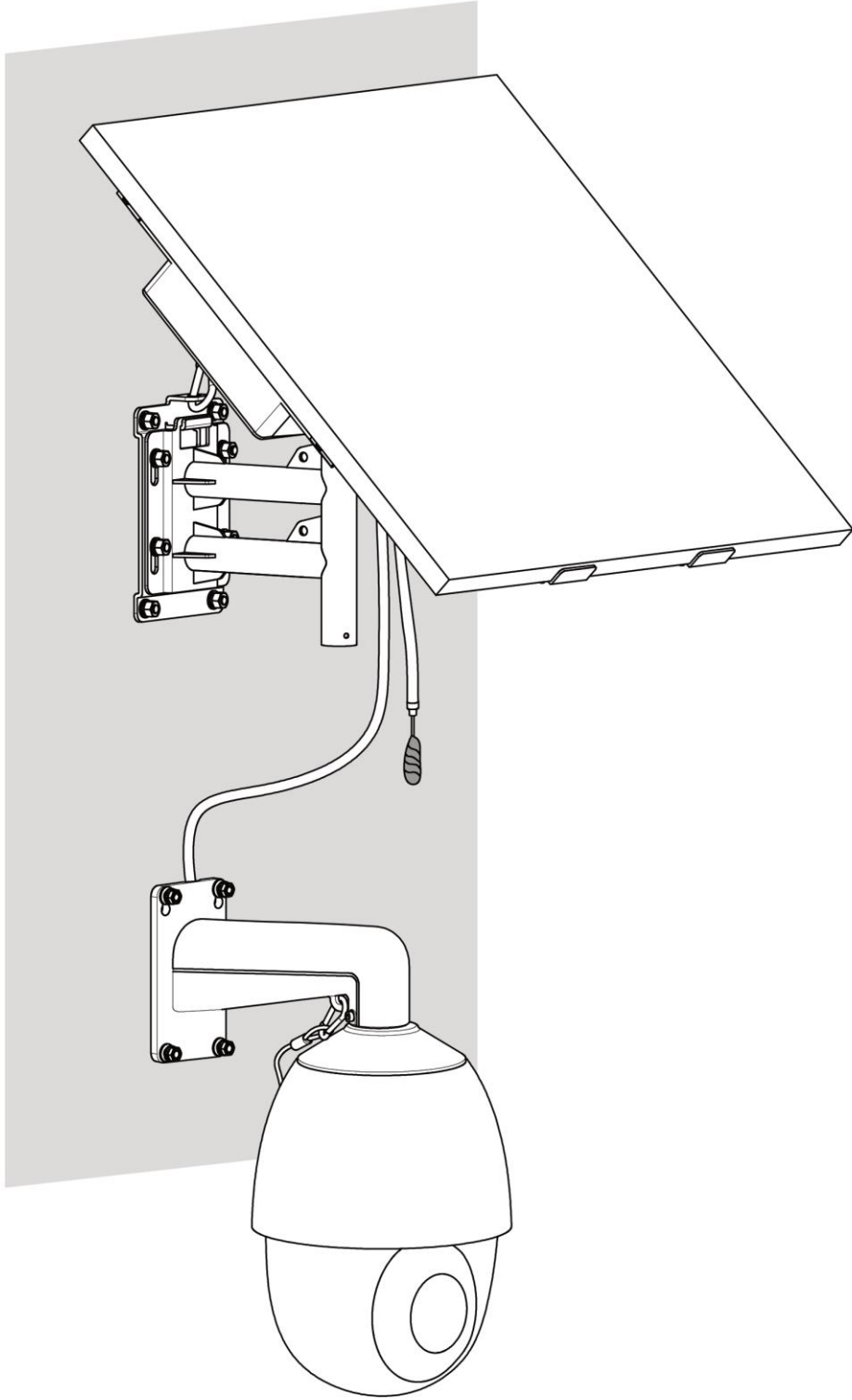


# 3.4









## Regulatory Compliance and Safety Information

Read all information and instructions in this document carefully before using the device and keep it for further reference.

For more device information and instructions, please visit our website at <https://www.hikvision.com>. You can also refer to other documents (if any) accompanying the device or scan the QR code (if any) on the packaging to get more information.

### About this Document

The document includes instructions for using and managing the product. Pictures, charts, images and all other information hereinafter are for description and explanation only. The information contained in the document is subject to change, without notice, due to firmware updates or other reasons. Please find the latest version in the company website (<https://www.hikvision.com>).

Please use this document under the guidance of professionals. Note: The interface varies with the models. Please refer to the product datasheet for details.

©2023 Hangzhou Hikvision Digital Technology Co., Ltd. All rights reserved.

### Trademarks

**HIKVISION** and other Hikvision's trademarks and logos are the properties of Hikvision in various jurisdictions. Other trademarks and logos mentioned are the properties of their respective owners.

### Disclaimer

TO THE MAXIMUM EXTENT PERMITTED BY APPLICABLE LAW, THIS MANUAL AND THE PRODUCT DESCRIBED, WITH ITS HARDWARE, SOFTWARE AND FIRMWARE, ARE PROVIDED "AS IS" AND "WITH ALL FAULTS AND ERRORS". HIKVISION MAKES NO WARRANTIES, EXPRESS OR IMPLIED, INCLUDING WITHOUT LIMITATION, MERCHANTABILITY, SATISFACTORY QUALITY, OR FITNESS FOR A PARTICULAR PURPOSE. THE USE OF THE PRODUCT BY YOU IS AT YOUR OWN RISK. IN NO EVENT WILL HIKVISION BE LIABLE TO YOU FOR ANY SPECIAL, CONSEQUENTIAL, INCIDENTAL, OR INDIRECT DAMAGES, INCLUDING, AMONG OTHERS, DAMAGES FOR LOSS OF BUSINESS PROFITS, BUSINESS INTERRUPTION, OR LOSS OF DATA, CORRUPTION OF SYSTEMS, OR LOSS OF DOCUMENTATION, WHETHER BASED ON BREACH OF CONTRACT, TORT (INCLUDING NEGLIGENCE), PRODUCT LIABILITY, OR OTHERWISE, IN CONNECTION WITH THE USE OF THE PRODUCT, EVEN IF HIKVISION HAS BEEN ADVISED OF THE POSSIBILITY OF SUCH DAMAGES OR LOSS.

YOU ACKNOWLEDGE THAT THE NATURE OF THE INTERNET PROVIDES FOR INHERENT SECURITY RISKS, AND HIKVISION SHALL NOT TAKE ANY RESPONSIBILITIES FOR ABNORMAL OPERATION, PRIVACY LEAKAGE OR OTHER DAMAGES RESULTING FROM CYBER-ATTACK, HACKER ATTACK, VIRUS INFECTION, OR OTHER INTERNET SECURITY RISKS; HOWEVER, HIKVISION WILL PROVIDE TIMELY TECHNICAL SUPPORT IF REQUIRED.

YOU AGREE TO USE THIS PRODUCT IN COMPLIANCE WITH ALL APPLICABLE LAWS, AND YOU ARE SOLELY RESPONSIBLE FOR ENSURING THAT YOUR USE CONFORMS TO THE APPLICABLE LAW. ESPECIALLY, YOU ARE RESPONSIBLE, FOR USING THIS PRODUCT IN A MANNER THAT DOES NOT INFRINGE ON THE RIGHTS OF THIRD PARTIES, INCLUDING WITHOUT LIMITATION, RIGHTS OF PUBLICITY, INTELLECTUAL PROPERTY RIGHTS, OR DATA PROTECTION AND

OTHER PRIVACY RIGHTS. YOU SHALL NOT USE THIS PRODUCT FOR ANY PROHIBITED END-USES, INCLUDING THE DEVELOPMENT OR PRODUCTION OF WEAPONS OF MASS DESTRUCTION, THE DEVELOPMENT OR PRODUCTION OF CHEMICAL OR BIOLOGICAL WEAPONS, ANY ACTIVITIES IN THE CONTEXT RELATED TO ANY NUCLEAR EXPLOSIVE OR UNSAFE NUCLEAR FUEL-CYCLE, OR IN SUPPORT OF HUMAN RIGHTS ABUSES.

IN THE EVENT OF ANY CONFLICTS BETWEEN THIS MANUAL AND THE APPLICABLE LAW, THE LATTER PREVAILS.

---

**These clauses apply only to the products bearing the corresponding mark or information.**

---

### FCC Compliance Statement

Note: This product has been tested and found to comply with the limits for a Class B digital device, pursuant to part 15 of the FCC Rules. These limits are designed to provide reasonable protection against harmful interference in a residential installation. This product generates, uses, and can radiate radio frequency energy and, if not installed and used in accordance with the instructions, may cause harmful interference to radio communications. However, there is no guarantee that interference will not occur in a particular installation. If this product does cause harmful interference to radio or television reception, which can be determined by turning the equipment off and on, the user is encouraged to try to correct the interference by one or more of the following measures:

- Reorient or relocate the receiving antenna.
- Increase the separation between the equipment and receiver.
- Connect the equipment into an outlet on a circuit different from that to which the receiver is connected.
- Consult the dealer or an experienced radio/TV technician for help.

Please take attention that changes or modification not expressly approved by the party responsible for compliance could void the user's authority to operate the equipment.

This device complies with part 15 of the FCC Rules. Operation is subject to the following two conditions:

- (1) this device may not cause harmful interference, and
- (2) this device must accept any interference received, including interference that may cause undesired operation.

### EU/UK Compliance Statement



This product and - if applicable - the supplied accessories too are marked with "CE" and comply therefore with the applicable harmonized European standards listed under the Directive 2014/30/EU (EMCD) and Directive 2011/65/EU (RoHS).

Note: The products with the input voltage of within 50 to 1000 VAC or 75 to 1500 VDC comply with Directive 2014/35/EU (LVD), and the rest products comply with Directive 2001/95/EC (GPSD). Please check the specific power supply information for reference.



This product and - if applicable - the supplied accessories too are marked with "UKCA" and comply therefore with the following directives:

Electromagnetic Compatibility Regulations 2016, Electrical Equipment (Safety) Regulations 2016, the Restriction of the Use of Certain Hazardous Substances in Electrical and Electronic Equipment Regulations 2012.



Directive 2012/19/EU (WEEE Directive): Products marked with this symbol cannot be disposed of as unsorted municipal waste in the European Union. For proper recycling, return this product to your local

supplier upon the purchase of equivalent new equipment, or dispose of it at designated collection points. For more information see: [www.recyclethis.info](http://www.recyclethis.info).

According to the Waste Electrical and Electronic Equipment Regulations 2013: Products marked with this symbol cannot be disposed of as unsorted municipal waste in the United Kingdom. For proper recycling, return this product to your local supplier upon the purchase of equivalent new equipment, or dispose of it at designated collection points. For more information see:

[www.recyclethis.info](http://www.recyclethis.info).



Directive 2006/66/EC and its amendment 2013/56/EU (Battery Directive): This product contains a battery that cannot be disposed of as unsorted municipal waste in the European Union. See the product documentation

for specific battery information. The battery is marked with this symbol, which may include lettering to indicate cadmium (Cd), lead (Pb), or mercury (Hg). For proper recycling, return the battery to your supplier or to a designated collection point. For more information see: [www.recyclethis.info](http://www.recyclethis.info).

According to the Batteries and Accumulators (Placing on the Market) Regulations 2008 and the Waste Batteries and Accumulators Regulations 2009: This product contains a battery that cannot be disposed of as unsorted municipal waste in the United Kingdom. See the product documentation for specific battery information. The battery is marked with this symbol, which may include lettering to indicate cadmium (Cd), lead (Pb), or mercury (Hg). For proper recycling, return the battery to your supplier or to a designated collection point. For more information see: [www.recyclethis.info](http://www.recyclethis.info).

### Industry Canada ICES-003 Compliance

This device meets the CAN ICES-003 (B)/NMB-003 (B) standards requirements.

Cet appareil répond aux exigences des normes CAN ICES-003 (B)/NMB-003 (B).

### KC

B급 기기: 이 기기는 가정용(B급) 전자파적합기기로서 주로 가정에서 사용하는 것을 목적으로 하며, 모든 지역에서 사용할 수 있습니다.

### Safety Information

Please read all the safety information carefully before using.

#### Electricity

- In the use of the product, you must be in strict compliance with the electrical safety regulations of the nation and region.
- Provide a surge suppressor at the inlet opening of the device under special conditions such as the mountain top, iron tower, and forest.
- CAUTION: If the fuse of the device can be replaced, replace it only with the same type and rating of fuse to reduce the risk of fire or electric shock.

### Battery





#### WARNING

1. Do not ingest battery. Chemical Burn Hazard!
  2. This product contains a coin/button cell battery. If the coin/button cell battery is swallowed, it can cause severe internal burns in just 2 hours and can lead to death.
  3. Keep new and used batteries away from children.
  4. If the battery compartment does not close securely, stop using the product and keep it away from children.
  5. If you think batteries might have been swallowed or placed inside any part of the body, seek immediate medical attention.
  6. CAUTION: Risk of explosion if the battery is replaced by an incorrect type.
  7. Improper replacement of the battery with an incorrect type may defeat a safeguard (for example, in the case of some lithium battery types).
  8. Do not dispose of the battery into fire or a hot oven, or mechanically crush or cut the battery, which may result in an explosion.
  9. Do not leave the battery in an extremely high temperature surrounding environment, which may result in an explosion or the leakage of flammable liquid or gas.
  10. Do not subject the battery to extremely low air pressure, which may result in an explosion or the leakage of flammable liquid or gas.
  11. Dispose of used batteries according to the instructions.
- For the battery with + and - signs, + identifies the positive terminals of the device which is used with or generates direct current, and - identifies the negative terminals of the device which is used with or generates direct current.

#### Fire Prevention

- No naked flame sources, such as lighted candles, should be placed on the equipment.
- The serial port of the equipment is used for debugging only.
- The power output port of the device does not comply with Limited Power Source. The device which is provided power by this port shall be equipped with a fire-retardant enclosure.

#### Hot Surface Prevention

- For the device with sticker  or , pay attention to the following cautions:  
CAUTION: Hot parts! Do not touch. Burned fingers when handling the parts. Wait one-half hour after switching off before handling the parts.  
This sticker is to indicate that the marked item can be hot and should not be touched without taking care. For device with this sticker, this device is intended for installation in a restricted access location, access can only be gained by service persons or by users who have been instructed about the reasons for the restrictions applied to the location and about any precautions that shall be taken.

#### Installation

- This device can only be safely used in the region below 2,000 meters above the sea level.
- Do not install devices for professional use in locations where children are likely to appear.
- If the device needs to be installed on the wall or ceiling, install the device according to the instructions in Quick Start Guide. Attach the device properly to the floor/wall in accordance with the installation instructions to prevent injury.

- Do not touch the sharp edges or corners.
- CAUTION: If the bracket is designed for a specific device model of our company, use the bracket with the corresponding device only. Use with other devices may result in instability and cause injury. Refer to the device datasheet for details.
- CAUTION: If the device needs to be installed with a specific bracket of our company, use the corresponding bracket only. Use others (such as carts, stands, and carriers) may result in instability and cause injury. Refer to the device datasheet for bracket model details.

#### Transportation

- Keep the device in original or similar packaging while transporting it.

#### Maintenance

- If the product does not work properly, please contact your dealer or the nearest service center. We shall not assume any responsibility for problems caused by unauthorized repair or

maintenance. A few device components (e.g., electrolytic capacitor) require regular replacement. The average lifespan varies, so periodic checking is recommended. Contact your dealer for details.

#### Cleaning

- Please use a soft and dry cloth when clean inside and outside surfaces of the product cover. Do not use alkaline detergents.

#### Using Environment

- Make sure the running environment meets the requirement of the device. DO NOT place the device in extremely hot, cold, dusty or damp locations, and do not expose it to high electromagnetic radiation. For temperature and humidity requirements, refer to device specification for details.

#### Emergency

- If smoke, odor, or noise arises from the device, immediately turn off the power, unplug the power cable, and contact the service center.

## Français

### Conformité à la réglementation et consignes de sécurité

Lisez soigneusement toutes les informations et instructions de ce document avant d'utiliser l'appareil et conservez-le pour toute référence ultérieure.

Pour plus d'informations et d'instructions sur l'appareil, veuillez consulter notre site Internet à l'adresse <https://www.hikvision.com>. Vous pouvez également consulter les autres documents (le cas échéant) accompagnant l'appareil ou scanner le code QR (le cas échéant) sur l'emballage pour obtenir plus d'informations.

#### Clause d'exclusion de responsabilité

DANS LES LIMITES AUTORISÉES PAR LA LOI EN VIGUEUR, LE PRÉSENT MANUEL ET LE PRODUIT DÉCRIT, AINSI QUE SON MATÉRIEL, SES LOGICIELS ET SES MICROLOGICIELS, SONT FOURNIS « EN L'ÉTAT » ET « AVEC CES FAIBLESSES ET ERREURS ». HIKVISION NE FAIT AUCUNE GARANTIE, EXPLICITE OU IMPLICITE, Y COMPRIS, MAIS SANS S'Y LIMITER, DE QUALITÉ MARCHANDE, DE QUALITÉ SATISFAISANTE, OU D'ADÉQUATION À UN USAGE PARTICULIER. VOUS UTILISEZ LE PRODUIT À VOS PROPRES RISQUES. HIKVISION NE SERA EN AUCUN CAS TENU RESPONSABLE POUR TOUT DOMMAGE SPÉCIAL, CONSÉCUTIF, ACCESSOIRE OU INDIRECT, Y COMPRIS, ENTRE AUTRES, LES DOMMAGES RELATIFS À LA PERTE DE PROFITS D'ENTREPRISE, À L'INTERRUPTION D'ACTIVITÉS COMMERCIALES, OU LA PERTE DES DONNÉES, LA CORRUPTION DES SYSTÈMES, OU LA PERTE DES DOCUMENTS, S'ILS SONT BASÉS SUR UNE VIOLATION DE CONTRAT, UNE FAUTE (Y COMPRIS LA NÉGLIGENCE), LA RESPONSABILITÉ EN MATIÈRE DE PRODUITS, OU AUTRE, EN RAPPORT AVEC L'UTILISATION DU PRODUIT, MÊME SI HIKVISION A ÉTÉ INFORMÉ DE LA POSSIBILITÉ D'UN TEL DOMMAGE OU D'UNE TELLE PERTE.

VOUS RECONNAISSEZ QUE LA NATURE D'INTERNET EST SOURCE DE RISQUES DE SÉCURITÉ INHÉRENTS, ET HIKVISION SE DÉGAGE DE TOUTE RESPONSABILITÉ EN CAS DE FONCTIONNEMENT ANORMAL, DIVULGATION D'INFORMATIONS CONFIDENTIELLES OU AUTRES DOMMAGES DÉCOULANT D'UNE CYBERATTAQUE, D'UN PIRATAGE INFORMATIQUE, D'UNE INFECTION PAR DES VIRUS, OU AUTRES RISQUES DE SÉCURITÉ LIÉS À INTERNET ; TOUTEFOIS, HIKVISION FOURNIRA UNE ASSISTANCE TECHNIQUE DANS LES DÉLAIS, LE CAS ÉCHÉANT.

VOUS ACCEPTEZ D'UTILISER CE PRODUIT CONFORMÉMENT À L'ENSEMBLE DES LOIS EN VIGUEUR. IL EST DE VOTRE RESPONSABILITÉ EXCLUSIVE DE VEILLER À CE QUE VOTRE

UTILISATION SOIT CONFORME À LA LOI APPLICABLE. IL VOUS APPARTIENT SURTOUT D'UTILISER CE PRODUIT D'UNE MANIÈRE QUI NE PORTE PAS ATTEINTE AUX DROITS DE TIERS, Y COMPRIS, MAIS SANS S'Y LIMITER, LES DROITS DE PUBLICITÉ, LES DROITS DE PROPRIÉTÉ INTELLECTUELLE, OU LA PROTECTION DES DONNÉES ET D'AUTRES DROITS À LA VIE PRIVÉE. VOUS NE DEVEZ PAS UTILISER CE PRODUIT POUR TOUTE UTILISATION FINALE INTERDITE, NOTAMMENT LA MISE AU POINT OU LA PRODUCTION D'ARMES DE DESTRUCTION MASSIVE, LA MISE AU POINT OU LA FABRICATION D'ARMES CHIMIQUES OU BIOLOGIQUES, LES ACTIVITÉS DANS LE CONTEXTE LIÉ AUX EXPLOSIFS NUCLÉAIRES OU AU CYCLE DU COMBUSTIBLE NUCLÉAIRE DANGEREUX, OU SOUTENANT LES VIOLATIONS DES DROITS DE L'HOMME. EN CAS DE CONFLIT ENTRE CE MANUEL ET LES LOIS EN VIGUEUR, CES DERNIÈRES PRÉVALENT.

### Ces clauses ne s'appliquent qu'aux produits portant la marque ou l'information correspondante.

#### Déclaration de conformité UE



Ce produit et - le cas échéant - les accessoires fournis portent le marquage « CE » et sont donc conformes aux normes européennes harmonisées applicables répertoriées dans la Directive 2014/30/UE (directive sur la compatibilité électromagnétique) et la Directive 2011/65/UE (RoHS).

Remarque : Les produits dont la tension d'entrée est comprise entre 50 et 1 000 V CA ou 75 et 1 500 V CC sont conformes à la directive 2014/35/UE (LVD), et les autres produits sont conformes à la directive 2001/95/CE (GPSD). Veuillez examiner les informations d'alimentation spécifiques à des fins de référence.



Directive 2012/19/UE (directive DEEE) : dans l'Union européenne, les produits portant ce pictogramme ne doivent pas être déposés dans une décharge municipale où le tri des déchets n'est pas pratiqué.

Pour un recyclage adéquat, remettez ce produit à votre revendeur lors de l'achat d'un nouvel équipement équivalent, ou déposez-le dans un lieu de collecte prévu à cet effet. Pour plus de précisions, rendez-vous sur : [www.recyclethis.info](http://www.recyclethis.info).



Directive 2006/66/CE et son amendement 2013/56/UE (directive sur les batteries) : ce produit renferme une batterie qui ne doit pas être déposée dans une décharge municipale où le tri des déchets n'est pas pratiqué, dans l'Union européenne. Pour plus de précisions sur la batterie, reportez-vous à sa documentation. La batterie porte le pictogramme ci-contre, qui peut inclure la mention Cd (cadmium), Pb (plomb) ou Hg (mercure). Pour la recycler correctement, renvoyez la batterie à votre revendeur ou déposez-la dans un point de collecte prévu à cet effet. Pour plus de précisions, rendez-vous sur : [www.recyclethis.info](http://www.recyclethis.info).

### Consignes de sécurité

Veuillez lire soigneusement toutes les consignes de sécurité avant d'utiliser l'appareil.

#### Électricité

- En utilisant le produit, vous devez respecter rigoureusement la réglementation relative à la sécurité électrique de votre pays ou région.
- Équipez l'ouverture d'entrée de l'appareil d'un suppresseur de surtension lorsque vous utilisez l'appareil dans des conditions spéciales, telles que le sommet de la montagne, une tour de fer et la forêt.
- ATTENTION : Si vous devez remplacer le fusible de l'appareil, remplacez-le uniquement par un fusible du même type et de la même valeur nominale pour réduire les risques d'incendie ou d'électrocution.

#### Batterie



#### ● AVERTISSEMENT

1. Ne pas ingérer pas la batterie. Risque de brûlure chimique !
  2. Ce produit contient une pile bouton. Si la pile bouton est avalée, celle-ci peut provoquer de graves brûlures internes en seulement 2 heures et entraîner la mort.
  3. Conservez les piles neuves et usagées hors de la portée des enfants.
  4. Si le compartiment des piles ne peut pas être complètement refermé, cessez d'utiliser le produit et conservez-le hors de la portée des enfants.
  5. Si vous pensez que des piles ont été ingérées ou insérées à l'intérieur d'une partie du corps, consultez immédiatement un médecin.
  6. ATTENTION : Il y a un risque d'explosion lorsque la pile est remplacée par une pile de type incorrect.
  7. Le remplacement de la pile par une pile du mauvais type peut conduire à l'annulation d'une protection (par exemple, dans le cas de certains types de batteries au lithium).
  8. Ne jetez pas une batterie au feu ou dans un four chaud, ni ne broyez mécaniquement ou découpez une batterie, car cela pourrait engendrer une explosion.
  9. Ne laissez pas une batterie dans un environnement ambiant extrêmement chaud, car vous encourez un risque d'explosion ou une fuite de liquide ou de gaz inflammable.
  10. N'exposez pas une batterie à des pressions atmosphériques extrêmement basses, car vous encourez un risque d'explosion ou une fuite de liquide ou de gaz inflammable.
  11. Éliminez les batteries usées conformément aux instructions.
- Pour la batterie marquée des signes + et -, le + identifie les bornes positives de l'appareil qui sont utilisées avec ou génèrent du courant continu, et le - identifie les bornes négatives de

l'appareil qui sont utilisées avec ou génèrent du courant continu.

#### Prévention des incendies

- Aucune source de flamme nue, telle que des bougies allumées, ne doit être placée sur l'équipement.
- Le port série de l'équipement est utilisé uniquement à des fins de débogage.
- Le port de puissance de sortie de l'appareil n'est pas conforme à l'exigence relative à la source limitée en puissance. L'appareil est alimenté via ce port, et doit être équipé d'un boîtier ignifuge.

#### Prévention des surfaces chaudes

- Pour l'appareil portant un autocollant

#### Installation

- Cet appareil peut uniquement être utilisé en toute sécurité jusqu'à une altitude de 2 000 m au-dessus du niveau de la mer.
- N'installez pas d'appareils à usage professionnel aux endroits où des enfants sont susceptibles de se trouver.
- Si l'appareil doit être fixé au mur ou au plafond, installez l'appareil conformément aux instructions figurant dans le guide de démarrage rapide. Fixez correctement l'appareil au sol/mur conformément aux instructions d'installation pour éviter toute blessure.
- Ne touchez pas les bords ou les coins coupants.
- ATTENTION : Si le support est conçu pour un modèle d'appareil spécifique de notre entreprise, utilisez uniquement le support avec l'appareil correspondant. Toute utilisation avec d'autres appareils peut entraîner une instabilité et causer des blessures. Reportez-vous à la fiche technique de l'appareil pour les détails.
- ATTENTION : Si l'appareil doit être installé avec un support spécifique de notre entreprise, utilisez uniquement le support correspondant. Toute utilisation d'autres supports (chariots, stations ou transporteurs) peut entraîner une instabilité et causer des blessures. Reportez-vous à la fiche technique de l'appareil pour les détails du modèle du support.

#### Transport

- Gardez l'appareil dans son emballage d'origine ou dans un emballage similaire lors de son transport.

#### Maintenance

- Si le produit ne fonctionne pas correctement, contactez votre revendeur ou le centre de service le plus proche. Nous n'assumerons aucune responsabilité concernant les problèmes causés par une réparation ou une opération de maintenance non autorisée. Certains composants de l'appareil (p. ex., condensateur électrolytique) doivent être remplacés régulièrement. Leur durée de vie moyenne est variable, c'est pourquoi des contrôles périodiques sont recommandés. Veuillez contacter votre distributeur pour plus d'informations.



## Nettoyage

- Utilisez un chiffon doux et sec pour nettoyer l'intérieur et l'extérieur du couvercle du produit. N'utilisez pas de détergent alcalin.

## Environnement d'exploitation

- Assurez-vous que l'environnement d'exploitation répond aux exigences de l'appareil. N'installez PAS l'appareil dans des endroits extrêmement chauds ou froids, poussiéreux ou

humides. La caméra ne doit pas être exposée à des radiations électromagnétiques élevées. Pour les conditions requises en matière de température et d'humidité, reportez-vous aux spécifications de l'appareil pour plus de détails.

## Urgence

- Si de la fumée, des odeurs ou du bruit s'échappent de l'appareil, mettez immédiatement l'appareil hors tension et débranchez le câble d'alimentation, puis contactez un centre de réparation.

**Deutsch**

## Informationen zur Einhaltung gesetzlicher Vorschriften und zur Sicherheit

Lesen Sie alle Informationen und Anweisungen in diesem Dokument sorgfältig, bevor Sie das Gerät in Betrieb nehmen und bewahren Sie sie zum Nachschlagen auf.

Weitere Informationen und Anweisungen zum Gerät finden Sie auf unserer Website unter <https://www.hikvision.com>. Weitere Informationen finden Sie auch in anderen Dokumenten (falls vorhanden), die dem Gerät beiliegen oder Sie können den QR-Code (falls vorhanden) auf der Verpackung scannen.

### Haftungsausschluss

DIESE BEDIENUNGSANLEITUNG UND DAS BESCHRIEBENE PRODUKT MIT SEINER HARDWARE, SOFTWARE UND FIRMWARE WERDEN, SOWEIT GESETZLICH ZULÄSSIG, IN DER „VORLIEGENDEN FORM“ UND MIT „ALLEN FEHLERN UND IRRTÜMERN“ BEREITGESTELLT. HIKVISION ÜBERNIMMT KEINE AUSDRÜCKLICHEN ODER STILLSCHWEIGENDEN GARANTIE, EINSCHLIESSLICH, ABER NICHT BESCHRÄNKT AUF DIE MARKTGÄNGIGKEIT, ZUFRIEDENSTELLENDEN QUALITÄT ODER EIGNUNG FÜR EINEN BESTIMMTEN ZWECK. DIE NUTZUNG DES PRODUKTS DURCH SIE ERFOLGT AUF IHRE EIGENE GEFAHR. IN KEINEM FALL IST HIKVISION IHNEN GEGENÜBER HAFTBAR FÜR BESONDERE, ZUFÄLLIGE, DIREKTE ODER INDIREKTE SCHÄDEN, EINSCHLIESSLICH, JEDOCH NICHT DARAUF BESCHRÄNKT, VERLUST VON GESCHÄFTSGEWINNEN, GESCHÄFTSUNTERBRECHUNG, DATENVERLUST, SYSTEMBESCHÄDIGUNG, VERLUST VON DOKUMENTATIONEN, SEI ES AUFGRUND VON VERTRAGSBRUCH, UNERLAUBTER HANDLUNG (EINSCHLIESSLICH FAHRLÄSSIGKEIT), PRODUKTHAFTUNG ODER ANDERWEITIG, IN VERBINDUNG MIT DER VERWENDUNG DIESES PRODUKTS, SELBST WENN HIKVISION ÜBER DIE MÖGLICHKEIT DERARTIGER SCHÄDEN ODER VERLUSTE INFORMIERT WAR.

SIE ERKENNEN AN, DASS DIE NATUR DES INTERNETS DAMIT VERBUNDENE SICHERHEITSRISIKEN BEINHÄLTET. HIKVISION ÜBERNIMMT KEINE VERANTWORTUNG FÜR ANORMALEN BETRIEB, DATENVERLUST ODER ANDERE SCHÄDEN, DIE SICH AUS CYBERANGRIFFEN, HACKERANGRIFFEN, VIRUSINFEKTION ODER ANDEREN SICHERHEITSRISIKEN IM INTERNET ERGEBEN. HIKVISION LEISTET JEDOCH BEI BEDARF ZEITNAH TECHNISCHEM SUPPORT. SIE STIMMEN ZU, DIESES PRODUKT IN ÜBEREINSTIMMUNG MIT ALLEN GELTENDEN GESETZEN ZU VERWENDEN, UND SIE SIND ALLEIN DAFÜR VERANTWORTLICH, DASS IHRE VERWENDUNG GEGEN KEINE GELTENDEN GESETZE VERSTÖßT. INSBESONDERE SIND SIE DAFÜR VERANTWORTLICH, DIESES PRODUKT SO ZU VERWENDEN, DASS DIE RECHTE DRITTER NICHT VERLETZT WERDEN, EINSCHLIESSLICH, ABER NICHT BESCHRÄNKT AUF VERÖFFENTLICHUNGSRECHTE, DIE RECHTE AN GEISTIGEM EIGENTUM ODER DEN DATENSCHUTZ UND ANDERE PERSÖNLICHKEITSRECHTE. SIE DÜRFEN DIESES PRODUKT NICHT FÜR VERBOTENE ENDANWENDUNGEN VERWENDEN,

EINSCHLIESSLICH DER ENTWICKLUNG ODER HERSTELLUNG VON MASSENVERNICHTUNGSWAFFEN, DER ENTWICKLUNG ODER HERSTELLUNG CHEMISCHER ODER BIOLOGISCHER WAFFEN, JEDLICHER AKTIVITÄTEN IM ZUSAMMENHANG MIT EINEM NUKLEAREN SPRENGKÖRPER ODER UNSICHEREN NUKLEAREN BRENNSTOFFKREISLAUF BZW. ZUR UNTERSTÜTZUNG VON MENSCHENRECHTSVERLETZUNGEN. IM FALL VON WIDERSPRÜCHEN ZWISCHEN DIESER BEDIENUNGSANLEITUNG UND GELTENDEM RECHT IST LETZTERES MASSGEBLICH.

---

**Diese Bestimmungen gelten nur für Produkte, die das entsprechende Zeichen oder die entsprechenden Informationen tragen.**

---

### Erklärung zur EU-Konformität



Dieses Produkt und - falls zutreffend - auch das mitgelieferte Zubehör sind mit "CE" gekennzeichnet und entsprechen somit den geltenden

harmonisierten europäischen Normen, die unter den Richtlinien 2014/30/EU (EMCD) und 2011/65/EU (RoHS) aufgeführt sind. Hinweis: Die Produkte mit einer Eingangsspannung von 50 - 1000 VAC oder 75 - 1500 VDC entsprechen der Richtlinie 2014/35/EU (NSR). Die übrigen Produkte entsprechen der Richtlinie 2001/95/EG (GPSD). Prüfen Sie bitte die entsprechenden Angaben zur Stromversorgung.



Richtlinie 2012/19/EU (WEEE-richtlinie): Produkte, die mit diesem Symbol gekennzeichnet sind, dürfen innerhalb der Europäischen Union nicht mit dem Hausmüll entsorgt werden. Für korrektes Recycling geben Sie dieses Produkt an Ihren örtlichen Fachhändler zurück oder entsorgen Sie es an einer der Sammelstellen. Für weitere Informationen siehe: [www.recyclethis.info](http://www.recyclethis.info).



Richtlinie 2006/66/EC und ihre Änderung 2013/56/EU (Akkurichtlinie): Dieses Produkt enthält einen Akku, der innerhalb der Europäischen Union nicht mit dem Hausmüll entsorgt werden darf. Siehe Produktdokumentation für spezifische Hinweise zu Akkus oder Batterien. Der Akku ist mit diesem Symbol gekennzeichnet, das zusätzlich die Buchstaben Cd für Cadmium, Pb für Blei oder Hg für Quecksilber enthalten kann. Für korrektes Recycling geben Sie die Akkus/Batterien an Ihren örtlichen Fachhändler zurück oder entsorgen Sie sie an einer der Sammelstellen. Für weitere Informationen siehe: [www.recyclethis.info](http://www.recyclethis.info).

### Sicherheitshinweise

Bitte lesen Sie alle Sicherheitshinweise sorgfältig durch, bevor Sie das Gerät in Betrieb nehmen.

## Elektrizität

- Bei der Verwendung des Produkts müssen die elektrischen Sicherheitsbestimmungen des Landes oder der Region strikt eingehalten werden.
- Sehen Sie einen Überspannungsschutz an der Einlassöffnung des Geräts vor, wenn Sie unter bestimmten Bedingungen wie auf einem Berggipfel, einem Eisenturm oder im Wald arbeiten.
- **ACHTUNG:** Wenn die Sicherung des Gerätes ersetzt werden kann, darf sie nur durch eine Sicherung desselben Typs und desselben Nennwerts ersetzt werden, um das Risiko eines Brandes oder elektrischen Schlags zu verringern.

## Akku





### ● WARNUNG

1. Verschlucken Sie niemals die Batterie. Gefahr von Verätzungen durch Chemikalien!
  2. Dieses Produkt enthält eine Knopfzellenbatterie. Wenn die Knopfzellenbatterie verschluckt wird, kann dies innerhalb von 2 Stunden zu schweren inneren Verätzungen und Tod führen.
  3. Halten Sie neue und gebrauchte Batterien von Kindern fern.
  4. Wenn sich das Batteriefach nicht richtig schließt, stellen Sie den Gebrauch des Produkts ein und halten Sie es von Kindern fern.
  5. Suchen Sie umgehend ärztliche Hilfe auf, wenn Sie vermuten, dass Batterien verschluckt oder in Körperöffnungen eingeführt wurden.
  6. **ACHTUNG:** Bei Austausch der Batterie durch einen falschen Typ besteht Explosionsgefahr.
  7. Unsachgemäßer Austausch des Akkus durch einen falschen Typ kann eine Schutzvorrichtung umgehen (z. B. bei einigen Lithium-Batterietypen).
  8. Batterien nicht durch Verbrennen, in einem heißen Ofen oder Zerkleinern oder Zerschneiden entsorgen. Das kann zu einer Explosion führen.
  9. Bewahren Sie Batterien nicht in einer Umgebung mit extrem hoher Temperatur auf. Das kann zu einer Explosion oder zum Auslaufen von entflammbarer Flüssigkeit oder Gas führen.
  10. Setzen Sie Batterien keinem extrem niedrigen Luftdruck aus. Das kann zu einer Explosion oder zum Auslaufen von entflammbarer Flüssigkeit oder Gas führen.
  11. Entsorgen Sie die verbrauchten Batterien gemäß den Anweisungen.
- Bei der Batterie mit den Zeichen + und - bezeichnet + die positiven Pole des Geräts, das mit Gleichstrom betrieben wird oder Gleichstrom erzeugt, und - die negativen Pole des Geräts, das mit Gleichstrom betrieben wird oder Gleichstrom erzeugt.

## Brandschutz

- Stellen Sie keine offenen Flammen (wie brennende Kerzen) auf dem Gerät ab.
- Die serielle Schnittstelle des Geräts wird nur zur Fehlersuche verwendet.
- Der Stromausgang des Geräts ist nicht mit der begrenzten Stromquelle kompatibel. Das Gerät, das über diesen Anschluss mit Strom versorgt wird, muss mit einem feuerfesten Gehäuse ausgestattet sein.

## Warnung vor heißer Oberfläche

- Für das Gerät mit dem Aufkleber  oder , beachten Sie bitte die folgenden Vorsichtsmaßnahmen:  
**ACHTUNG:** Heiße Teile! Nicht anfassen. Sie können sich bei Berührung der Teile Verbrennungen zuziehen. Warten Sie nach

dem Ausschalten eine halbe Stunde, bevor Sie die Teile anfassen.

Dieser Aufkleber weist darauf hin, dass der markierte Gegenstand heiß sein kann und nur vorsichtig angefasst werden darf. Ein Gerät mit diesem Aufkleber ist für die Installation an einem Ort mit beschränktem Zugang bestimmt, der nur von Servicepersonal oder von Benutzern betreten werden kann, die über die Gründe für die Zugangsbeschränkungen und über die zu treffenden Vorsichtsmaßnahmen informiert wurden.

## Installation

- Dieses Gerät kann nur in Regionen unterhalb von 2000 Metern über dem Meeresspiegel sicher verwendet werden.
- Installieren Sie Geräte für den professionellen Einsatz nicht an Orten, an denen sich Kinder aufhalten können.
- Falls das Gerät an der Wand oder an der Decke installiert werden muss, montieren Sie es gemäß den Anweisungen in der Schnellstartanleitung. Befestigen Sie das Gerät gemäß den Installationsanweisungen ordnungsgemäß am Boden/an der Wand, um Verletzungen zu vermeiden.
- Fassen Sie keine scharfen Ecken und Kanten an.
- **ACHTUNG:** Falls die Halterung für ein bestimmtes Gerätemodell unseres Unternehmens ausgelegt ist, verwenden Sie die Halterung nur mit dem zugehörigen Gerät. Die Verwendung mit anderen Geräten kann zu Instabilitäten führen und Verletzungen verursachen. Weitere Informationen finden Sie im Datenblatt des Geräts.
- **ACHTUNG:** Falls das Gerät mit einer speziellen Halterung unseres Unternehmens installiert werden muss, verwenden Sie nur die dazugehörige Halterung. Die Verwendung anderer Halterungen (z. B. Wagen, Ständer und Träger) kann zu einer Instabilität führen und Verletzungen verursachen. Informationen zum Modell der Halterung finden Sie im Datenblatt des Geräts.

## Transportwesen

- Bewahren Sie das Gerät beim Transport in der ursprünglichen oder einer vergleichbaren Verpackung auf.

## Wartung

- Falls das Produkt nicht einwandfrei funktionieren sollte, wenden Sie sich an Ihren Händler oder den nächstgelegenen Kundendienst. Wir übernehmen keine Haftung für Probleme, die durch nicht Reparatur- oder Instandhaltungsarbeiten von nicht autorisierten Dritten verursacht werden. Einige Gerätekomponenten (z. B. Elektrolytkondensator) müssen regelmäßig ausgetauscht werden. Die durchschnittliche Lebensdauer variiert, weshalb eine regelmäßige Prüfung empfohlen wird. Einzelheiten erfahren Sie von Ihrem Händler.

## Reinigung

- Benutzen Sie bitte ein weiches, trockenes Tuch, um die Innen- und Außenflächen der Produktabdeckung zu reinigen. Verwenden Sie keine alkalischen Reinigungsmittel.

## Einsatzumgebung

- Achten Sie darauf, dass die Betriebsumgebung den Anforderungen des Geräts entspricht. Setzen Sie das Gerät KEINER staubigen oder feuchten Umgebung oder keiner Umgebung aus, in der extrem hohe oder niedrige Temperaturen oder hohe elektromagnetische Strahlung herrschen. Temperatur- und Luftfeuchtigkeitsanforderungen entnehmen Sie bitte den Gerätespezifikationen.

## Notruf

- Sollten sich Rauch, Gerüche oder Geräusche in dem Gerät entwickeln, so schalten Sie es unverzüglich aus und ziehen Sie den Netzstecker. Wenden Sie sich dann an den Kundendienst.

## Cumplimiento normativo e información de seguridad

Lea detenidamente toda la información y las instrucciones de este documento antes de usar el dispositivo y consérvelo para futuras referencias.

Para obtener más información e instrucciones del dispositivo, visite nuestra página web <https://www.hikvision.com>. También puede consultar el resto de documentos (si hay alguno) que acompañan al dispositivo o escanear el código QR (si hay alguno) del paquete para obtener más información.

### Descargo de responsabilidad

EN LA MEDIDA MÁXIMA PERMITIDA POR LAS LEYES APLICABLES, ESTE MANUAL Y EL PRODUCTO DESCRITO —INCLUIDOS SU HARDWARE, SOFTWARE Y FIRMWARE— SE SUMINISTRAN «TAL CUAL» Y «CON TODOS SU FALLOS Y ERRORES». HIKVISION NO OFRECE GARANTÍAS, EXPLÍCITAS O IMPLÍCITAS, INCLUIDAS, A MODO ENUNCIATIVO, COMERCIALIZACIÓN, CALIDAD SATISFACTORIA O IDONEIDAD PARA UN PROPÓSITO EN PARTICULAR. EL USO QUE HAGA DEL PRODUCTO CORRE BAJO SU ÚNICO RIESGO. EN NINGÚN CASO, HIKVISION PODRÁ CONSIDERARSE RESPONSABLE ANTE USTED DE NINGÚN DAÑO ESPECIAL, CONSECUENTE, INCIDENTAL O INDIRECTO, INCLUYENDO, ENTRE OTROS, DAÑOS POR PÉRDIDAS DE BENEFICIOS COMERCIALES, INTERRUPCIÓN DE LA ACTIVIDAD COMERCIAL, PÉRDIDA DE DATOS, CORRUPCIÓN DE LOS SISTEMAS O PÉRDIDA DE DOCUMENTACIÓN, YA SEA POR INCUMPLIMIENTO DEL CONTRATO, AGRAVIO (INCLUYENDO NEGLIGENCIA), RESPONSABILIDAD DEL PRODUCTO O EN RELACIÓN CON EL USO DEL PRODUCTO, INCLUSO CUANDO HIKVISION HAYA RECIBIDO UNA NOTIFICACIÓN DE LA POSIBILIDAD DE DICHOS DAÑOS O PÉRDIDAS.

USTED RECONOCE QUE LA NATURALEZA DE INTERNET IMPLICA RIESGOS DE SEGURIDAD INHERENTES Y HIKVISION NO TENDRÁ NINGUNA RESPONSABILIDAD POR EL FUNCIONAMIENTO ANORMAL, FILTRACIONES DE PRIVACIDAD U OTROS DAÑOS RESULTANTES DE ATAQUES CIBERNÉTICOS, ATAQUES DE HACKERS, INFECCIONES DE VIRUS U OTROS RIESGOS DE SEGURIDAD DE INTERNET; SIN EMBARGO, HIKVISION PROPORCIONARÁ APOYO TÉCNICO OPORTUNO DE SER NECESARIO.

USTED ACEPTA USAR ESTE PRODUCTO DE CONFORMIDAD CON TODAS LAS LEYES APLICABLES Y SOLO USTED ES EL ÚNICO RESPONSABLE DE ASEGURAR QUE EL USO CUMPLA CON DICHAS LEYES. EN ESPECIAL, USTED ES RESPONSABLE DE USAR ESTE PRODUCTO DE FORMA QUE NO INFRINJA LOS DERECHOS DE TERCEROS, INCLUYENDO, A MODO ENUNCIATIVO, DERECHOS DE PUBLICIDAD, DERECHOS DE PROPIEDAD INTELECTUAL, DERECHOS RELATIVOS A LA PROTECCIÓN DE DATOS Y OTROS DERECHOS RELATIVOS A LA PRIVACIDAD. NO UTILIZARÁ ESTE PRODUCTO PARA NINGÚN USO FINAL PROHIBIDO, INCLUYENDO EL DESARROLLO O LA PRODUCCIÓN DE ARMAS DE DESTRUCCIÓN MASIVA, EL DESARROLLO O PRODUCCIÓN DE ARMAS QUÍMICAS O BIOLÓGICAS, NINGUNA ACTIVIDAD EN EL CONTEXTO RELACIONADO CON ALGÚN EXPLOSIVO NUCLEAR O EL CICLO DE COMBUSTIBLE NUCLEAR INSEGURO O EN APOYO DE ABUSOS DE LOS DERECHOS HUMANOS.

EN CASO DE HABER CONFLICTO ENTRE ESTE MANUAL Y LA LEGISLACIÓN VIGENTE, ESTA ÚLTIMA PREVALECE.

**Estas cláusulas solo se aplican a los productos que lleven la marca o la información correspondiente.**

### Declaración de cumplimiento de la UE



Este producto y, cuando corresponda, los accesorios incluidos, también tienen la marca "CE" y por tanto cumplen los estándares europeos armonizados enumerados bajo la directiva 2014/30/UE (EMCD) y la directiva 2011/65/UE (RoHS).

Nota: Los productos con una tensión de entrada de 50 a 1000 VCA o de 75 a 1500 VCD cumplen con la directiva 2014/35/UE (LVD), y el resto de productos cumplen con la directiva 2001/95/CE (GPSD). Consulte la información de alimentación eléctrica específica como referencia.



Directiva 2012/19/UE (directiva RAEE): En la Unión Europea, los productos marcados con este símbolo no pueden ser desechados en el sistema de basura municipal sin recogida selectiva. Para un reciclaje adecuado, entregue este producto en el lugar de compra del equipo nuevo equivalente o deshágase de él en el punto de recogida designado a tal efecto. Para más información vea la página web: [www.recyclethis.info](http://www.recyclethis.info).



Directiva 2006/66/CE y su enmienda 2013/56/UE (directiva sobre baterías): Este producto lleva una batería que no puede ser desechada en el sistema municipal de basuras sin recogida selectiva dentro de la Unión Europea. Consulte la documentación del producto para ver la información específica de la batería. La batería lleva marcado este símbolo, que incluye unas letras indicando si contiene cadmio (Cd), plomo (Pb), o mercurio (Hg). Para un reciclaje adecuado, entregue la batería a su vendedor o llévela al punto de recogida de basuras designado a tal efecto. Para más información vea la página web: [www.recyclethis.info](http://www.recyclethis.info).

### Información de seguridad

Lea detenidamente toda la información de seguridad antes de usar el dispositivo.

#### Electricidad

- Para usar el producto debe cumplir estrictamente con la normativa de seguridad eléctrica de su país y región.
- En ubicaciones especiales, como en la cima de una montaña, en una torre de hierro y en un bosque, instale un supresor de sobretensiones en la abertura de entrada del equipo.
- PRECAUCIÓN: Si se puede sustituir el fusible, hágalo solo con uno del mismo tipo y clasificación para reducir el riesgo de incendio o descarga eléctrica.

#### Batería



#### ● ADVERTENCIA

1. No se trague las pilas. ¡Peligro de quemaduras químicas!
2. Este producto incorpora una pila de botón. Si se traga la pila de botón, podría sufrir quemaduras internas de importancia en solo 2 horas que podrían ocasionarle la muerte.
3. Mantenga las baterías nuevas y usadas fuera del alcance de los niños.



4. Si el compartimento de la batería no cierra debidamente, deje de usar el producto y manténgalo fuera del alcance de los niños.
5. Si sospecha que una batería ha sido tragada o introducida en alguna parte del cuerpo, busque atención médica de inmediato.
6. PRECAUCIÓN: Riesgo de explosión si se reemplaza la batería por otra de tipo incorrecto.
7. Una sustitución inadecuada de la batería por otra de tipo incorrecto podría inhabilitar alguna medida de protección (por ejemplo, en el caso de algunas baterías de litio).
8. No arroje la batería al fuego ni la meta en un horno caliente, ni intente aplastar o cortar mecánicamente la batería, ya que podría explotar.
9. No deje la batería en lugares con temperaturas extremadamente altas, ya que podría explotar o tener fugas de líquido electrolítico o gas inflamable.
10. No permita que la batería quede expuesta a una presión de aire extremadamente baja, ya que podría explotar o tener fugas de líquido electrolítico o gas inflamable.
11. Deshágase de las baterías usadas conforme a las instrucciones.

- Para la batería con los signos «+» y «-», «+» identifica los terminales positivos del dispositivo que se utiliza o genera corriente continua, «-» identifica los terminales negativos del dispositivo que se utiliza o genera corriente continua.

#### Prevención de incendios

- No coloque llamas abiertas, como velas encendidas, sobre el equipo.
- El puerto serie del equipo se utiliza únicamente con fines de depuración.
- El puerto de salida de energía no es compatible con una fuente de alimentación limitada. El dispositivo que reciba alimentación a través de este puerto deberá estar equipado con una carcasa ignífuga.

#### Prevención de superficie caliente

- Para el dispositivo con la pegatina  o , preste atención a las siguientes advertencias:  
PRECAUCIÓN: ¡Elementos calientes! No tocar. Puede quemarse los dedos al manipular esas partes. Espere media hora después de apagar el equipo para tocarlas.  
Esta pegatina está para indicar que el elemento marcado puede estar caliente y no debe tocarse sin tener cuidado. Los dispositivos con este adhesivo se deben instalar en una ubicación de acceso restringido, solo accesible al personal técnico o a usuarios que hayan sido informados sobre los motivos de las restricciones aplicadas a dicha ubicación y las precauciones a tomar.

#### Instalación

#### Conformità normativa e informazioni sulla sicurezza

Leggere accuratamente tutte le informazioni e le istruzioni riportate in questo documento prima di usare il dispositivo e conservarlo per consultazioni future.

Per altre informazioni e istruzioni sul dispositivo, consultare il nostro sito web <https://www.hikvision.com>. Per ulteriori informazioni, è possibile consultare altri documenti (se disponibili) in dotazione con il dispositivo o scansionare il codice QR sulla confezione (se presente).

- Este dispositivo solo se puede utilizar de forma segura en zonas de hasta 2000 metros por encima del nivel del mar.
- No instale dispositivos de uso profesional en lugares donde pueda haber niños.
- Si es necesario instalar el dispositivo en la pared o el techo, instálolo siguiendo las instrucciones de la Guía de inicio rápido. Fije el dispositivo adecuadamente al suelo o la pared de acuerdo con las instrucciones de instalación para evitar lesiones.
- No toque los bordes afilados ni las esquinas.
- PRECAUCIÓN: Si el soporte está diseñado para un modelo de dispositivo específico de nuestra empresa, utilice el soporte únicamente con el dispositivo correspondiente. El uso con otros dispositivos puede provocar inestabilidad y causar lesiones. Consulte la hoja de datos del dispositivo para obtener más detalles.
- PRECAUCIÓN: Si es necesario instalar el dispositivo con un soporte específico de nuestra empresa, utilice únicamente el soporte correspondiente. El uso de otros (como carros, soportes y transportadores) puede provocar inestabilidad y causar lesiones. Consulte la hoja de datos del dispositivo para conocer los detalles del modelo de soporte.

#### Transporte

- Guarde el dispositivo en su paquete original o en uno similar cuando lo transporte.

#### Mantenimiento

- Si el producto no funciona correctamente, por favor, póngase en contacto con su distribuidor o con el centro de servicio técnico más próximo. No nos haremos responsables de los problemas derivados de una reparación o mantenimiento no autorizados. Algunos componentes del dispositivo (p. ej.: el condensador electrolítico) necesita una sustitución periódica. La vida útil promedio puede variar, por lo que se recomienda una revisión periódica. Contacte con su vendedor para más detalles.

#### Limpieza

- Por favor, utilice un paño suave y seco para limpiar las superficies interiores y exteriores de la tapa del producto. No utilice detergentes alcalinos.

#### Entorno de uso

- Compruebe que el entorno de uso se adapte a los requisitos del dispositivo. No coloque el dispositivo en lugares extremadamente cálidos, fríos, con polvo o humedad, ni lo deje expuesto a radiaciones electromagnéticas intensas. En cuanto a los requisitos de temperatura y humedad, consulte las especificaciones del dispositivo para obtener más detalles.

#### Emergencia

- Si hay presencia de humo, olores o ruidos procedentes del dispositivo, apague la alimentación inmediatamente, desenchufe el cable de alimentación y contacte con el servicio técnico.

**Italiano**

#### Esclusione di responsabilità

NELLA MISURA MASSIMA CONSENTITA DALLA LEGGE VIGENTE, QUESTO MANUALE E IL PRODOTTO DESCRITTO, CON IL SUO HARDWARE, SOFTWARE E FIRMWARE, SONO FORNITI "COSÌ COME SONO" E "CON TUTTI I DIFETTI E GLI ERRORI". HIKVISION NON RILASCIA ALCUNA GARANZIA, NÉ ESPRESSA NÉ IMPLICITA COME, SOLO A TITOLO DI ESEMPIO, GARANZIE DI COMMERCIALITÀ, QUALITÀ SODDISFACENTE O IDONEITÀ PER UN USO SPECIFICO. L'UTENTE UTILIZZA IL PRODOTTO A PROPRIO RISCHIO. HIKVISION

DECLINA QUALSIASI RESPONSABILITÀ VERSO L'UTENTE IN RELAZIONE A DANNI SPECIALI, CONSEGUENZIALI E INCIDENTALI, COMPRESI, TRA GLI ALTRI, I DANNI DERIVANTI DA MANCATO PROFITTO, INTERRUZIONE DELL'ATTIVITÀ O PERDITA DI DATI, DANNEGGIAMENTO DI SISTEMI O PERDITA DI DOCUMENTAZIONE, DERIVANTI DA INADEMPIENZA CONTRATTUALE, ILLECITO (COMPRESA LA NEGLIGENZA), RESPONSABILITÀ PER DANNI AI PRODOTTI O ALTRIMENTI IN RELAZIONE ALL'USO DEL PRODOTTO, ANCHE QUALORA HIKVISION SIA STATA INFORMATA DELLA POSSIBILITÀ DI TALI DANNI O PERDITE.

L'UTENTE RICONOSCE CHE LA NATURA DI INTERNET PREVEDE RISCHI DI SICUREZZA INTRINSECI E CHE HIKVISION DECLINA QUALSIASI RESPONSABILITÀ IN RELAZIONE A FUNZIONAMENTI ANOMALI, VIOLAZIONE DELLA RISERVATEZZA O ALTRI DANNI RISULTANTI DA ATTACCHI INFORMATICI, INFEZIONE DA VIRUS O ALTRI RISCHI LEGATI ALLA SICUREZZA SU INTERNET; TUTTAVIA, HIKVISION FORNIRÀ TEMPESTIVO SUPPORTO TECNICO, SE NECESSARIO.

L'UTENTE ACCETTA DI UTILIZZARE IL PRODOTTO IN CONFORMITÀ A TUTTE LE LEGGI VIGENTI E DI ESSERE IL SOLO RESPONSABILE DI TALE UTILIZZO CONFORME. IN PARTICOLARE, L'UTENTE È RESPONSABILE DEL FATTO CHE L'UTILIZZO DEL PRODOTTO NON VIOLI DIRITTI DI TERZI COME, SOLO A TITOLO DI ESEMPIO, DIRITTI DI PUBBLICITÀ, DIRITTI DI PROPRIETÀ INTELLETTUALE O DIRITTI RELATIVI ALLA PROTEZIONE DEI DATI E ALTRI DIRITTI RIGUARDANTI LA PRIVACY. NON È CONSENTITO UTILIZZARE QUESTO PRODOTTO PER SCOPI PROIBITI, COME, TRA GLI ALTRI, LA PRODUZIONE DI ARMI DI DISTRUZIONE DI MASSA, LO SVILUPPO O LA PRODUZIONE DI ARMI CHIMICHE O BIOLOGICHE, QUALSIASI ATTIVITÀ SVOLTA IN CONTESTI CORRELATI A ESPLOSIVI NUCLEARI O COMBUSTIBILI NUCLEARI NON SICURI O ATTIVITÀ CHE CAUSINO VIOLAZIONI DEI DIRITTI UMANI.

IN CASO DI CONFLITTO TRA IL PRESENTE MANUALE E LA LEGGE VIGENTE, PREVARRÀ QUEST'ULTIMA.

---

**Queste clausole si applicano solo ai prodotti recanti il marchio o le informazioni corrispondenti.**

---

#### Dichiarazione di conformità UE



Il presente prodotto e gli eventuali accessori in dotazione sono contrassegnati con il marchio "CE" e sono quindi conformi alle norme europee

armonizzate vigenti di cui alla direttiva 2014/30/UE (CEM) e alla direttiva 2011/65/UE (RoHS).

Nota: I prodotti con una tensione in ingresso compresa tra 50 e 1.000 V CA o tra 75 e 1.500 V CC sono conformi alla direttiva 2014/35/UE (direttiva Bassa Tensione); gli altri prodotti sono conformi alla direttiva 2001/95/CE (relativa alla sicurezza generale dei prodotti). Fare riferimento alle informazioni specifiche sull'alimentazione.



Direttiva 2012/19/UE (RAEE): i prodotti contrassegnati con il presente simbolo non possono essere smaltiti come rifiuti domestici indifferenziati nell'Unione europea. Per lo smaltimento corretto, restituire il

prodotto al rivenditore in occasione dell'acquisto di un nuovo dispositivo o smaltirlo nei punti di raccolta autorizzati. Ulteriori informazioni sono disponibili sul sito: [www.recyclethis.info](http://www.recyclethis.info).



Direttiva 2006/66/CE, modificata dalla direttiva 2013/56/UE (direttiva sulle batterie): questo prodotto contiene una batteria e non è possibile smaltirlo con i

rifiuti domestici indifferenziati nell'Unione europea. Consultare la documentazione del prodotto per le informazioni specifiche sulla batteria. La batteria è contrassegnata con il presente simbolo, che potrebbe includere le sigle di cadmio (Cd), piombo (Pb) o mercurio (Hg). Per lo smaltimento corretto, restituire la batteria al rivenditore locale o smaltirla nei punti di raccolta autorizzati.

Ulteriori informazioni sono disponibili sul sito:

[www.recyclethis.info](http://www.recyclethis.info).

#### Informazioni di sicurezza

Leggere accuratamente le informazioni di sicurezza prima dell'uso.

##### Elettricità

- Durante l'uso del prodotto è indispensabile rispettare rigorosamente le normative nazionali e locali sulla sicurezza elettrica.
- Predisporre un limitatore di sovracorrente in corrispondenza dell'apertura delle prese d'aria del dispositivo in condizioni ambientali particolari, come vette di montagne, tralicci metallici o foreste.
- ATTENZIONE: Se il fusibile del dispositivo è sostituibile, sostituirlo solo con un fusibile dello stesso tipo e con la stessa potenza nominale, al fine di ridurre il rischio di incendio o di scosse elettriche.

##### Batteria



##### ● AVVERTENZA

1. Non ingerire le batterie. Pericolo di ustioni chimiche!
  2. Questo prodotto contiene una batteria a bottone. Se ingerita, questo tipo di batteria può causare gravi ustioni interne in sole 2 ore e portare anche alla morte.
  3. Tenere le batterie nuove e quelle usate lontano dalla portata dei bambini.
  4. Se il vano batteria non si chiude bene, interrompere l'uso del prodotto e tenerlo lontano dai bambini.
  5. Se si pensa che una batteria possa essere stata ingerita o possa essere penetrata in qualsiasi parte del corpo, rivolgersi immediatamente a un medico.
  6. ATTENZIONE: esiste il rischio di esplosione se la batteria viene sostituita con una di tipo non corretto.
  7. La sostituzione della batteria con una di tipo non idoneo può impedire il corretto funzionamento dei sistemi di sicurezza (ad esempio con alcuni tipi di batterie al litio).
  8. Non gettare le batterie nel fuoco o in un forno caldo ed evitare di schiacciarle o tagliarle, per prevenire il rischio di esplosioni.
  9. Le batterie esposte a temperature ambientali eccessive possono esplodere o perdere liquidi o gas infiammabili.
  10. Non sottoporre le batterie a una pressione atmosferica estremamente bassa, perché possono esplodere o perdere liquidi o gas infiammabili.
  11. Smaltire le batterie usate seguendo le istruzioni.
- Sulle batterie il segno "+" identifica i terminali positivi del dispositivo con cui viene utilizzato o che genera corrente continua, "-" identifica i terminali negativi del dispositivo con cui viene utilizzato o che genera corrente continua.



##### Prevenzione degli incendi

- Non collocare sull'attrezzatura sorgenti di fiamme libere, come candele accese.
- La porta seriale del dispositivo serve solo per attività di debugging.

- La porta di uscita per l'alimentazione del dispositivo non è compatibile con sorgenti di alimentazione limitata. Il dispositivo alimentato da tale porta deve essere dotato di un alloggiamento ignifugo.

#### Prevenzione dei rischi da superfici calde



- Per il dispositivo con adesivo  o , prestare attenzione alle seguenti precauzioni:  
ATTENZIONE: Elementi caldi! Non toccare. Rischio di ustioni alle dita se si maneggiano questi elementi. Attendere mezz'ora dallo spegnimento prima di toccare gli elementi del dispositivo. Questo adesivo indica che l'oggetto contrassegnato può essere caldo e non deve essere toccato senza prestare la dovuta attenzione. I dispositivi con questo adesivo devono essere installati in aree ad accesso limitato, consentito al solo personale di servizio o agli utenti che hanno ricevuto istruzioni sulle restrizioni applicate al locale e sulle precauzioni da adottare.

#### Installazione

- Questo dispositivo può essere utilizzato in sicurezza solo a un'altitudine inferiore a 2.000 metri sul livello del mare.
- Non installare dispositivi per uso professionale in luoghi in cui possono esserci bambini.
- Se occorre installare il dispositivo a parete o a soffitto, installarlo attenendosi alle istruzioni presenti nella Guida introduttiva. Fissare correttamente il dispositivo al pavimento/alla parete in base alle istruzioni di installazione onde evitare lesioni.
- Non toccare gli spigoli vivi o i bordi appuntiti.
- ATTENZIONE: Se la staffa è stata progettata per un modello specifico di dispositivo fornito dalla nostra azienda, utilizzare la staffa solo con il dispositivo corrispondente. L'uso con altri dispositivi può provocare l'instabilità dell'impianto e possibili lesioni. Fare riferimento alla scheda tecnica del dispositivo per maggiori dettagli.

- ATTENZIONE: Se il dispositivo deve essere installato con una staffa specificatamente fornita dalla nostra azienda, utilizzare solo la staffa corrispondente. L'utilizzo di altri tipi di dispositivi di sostegno (come carrelli, stativi e supporti) può causare l'instabilità dell'impianto e possibili lesioni. Per maggiori dettagli sul modello della staffa, consultare la scheda tecnica del dispositivo.

#### Trasporto

- Per trasportare il dispositivo, riporlo nella confezione originale o in una analoga.

#### Manutenzione

- Se il prodotto non funziona correttamente, rivolgersi al rivenditore o al centro di assistenza più vicino. Decliniamo qualsiasi responsabilità in relazione a problemi causati da interventi di riparazione o manutenzione non autorizzati. Alcuni componenti (ad esempio, il condensatore elettrolitico) devono essere sostituiti periodicamente. La durata media di questi elementi è variabile, quindi devono essere controllati regolarmente. Contattare il rivenditore per i dettagli.

#### Pulizia

- Per pulire le superfici interne e esterne del coperchio del prodotto, utilizzare un panno morbido e asciutto. Non utilizzare detergenti alcalini.

#### Ambiente di utilizzo

- Verificare che l'ambiente di utilizzo sia conforme ai requisiti del dispositivo. NON collocare il dispositivo in luoghi a temperatura troppo alta o bassa, né in ambienti umidi o polverosi e non esporla a radiazioni elettromagnetiche intense. Per i dettagli sui requisiti di temperatura e umidità, fare riferimento alle specifiche del dispositivo.

#### Emergenza

- Se il dispositivo emette fumo, odori o rumori, spegnerlo immediatamente e scollegare il cavo di alimentazione, quindi rivolgersi a un centro di assistenza.

## Português

#### Conformidade regulamentar e informações relacionadas com a segurança

Leia atentamente todas as informações e instruções presentes neste documento antes de utilizar o dispositivo e guarde-o para futura consulta.

Para mais informações e instruções relativas ao dispositivo, visite o nosso website em <https://www.hikvision.com>. Também pode consultar outros documentos (se existentes) que acompanhem o dispositivo, ou fazer a leitura do código QR (se existente) na embalagem para obter mais informações.

#### Aviso legal

NA MEDIDA MÁXIMA PERMITIDA PELA LEI APLICÁVEL, ESTE MANUAL E O PRODUTO DESCRITO, COM O SEU HARDWARE, SOFTWARE E FIRMWARE, SÃO FORNECIDOS "TAL COMO ESTÃO" E "COM TODAS AS SUAS FALHAS E ERROS". A HIKVISION EXCLUI, DE FORMA EXPLÍCITA OU IMPLÍCITA, GARANTIAS DE, INCLUINDO E SEM LIMITAÇÃO, COMERCIALIZAÇÃO, QUALIDADE DO SERVIÇO OU ADEQUAÇÃO A UMA FINALIDADE ESPECÍFICA. A SUA UTILIZAÇÃO DESTE PRODUTO É FEITA POR SUA CONTA E RISCO. EM NENHUMA CIRCUNSTÂNCIA, A HIKVISION SERÁ RESPONSÁVEL POR SI EM RELAÇÃO A QUAISQUER DANOS ESPECIAIS, CONSEQUENCIAIS, INCIDENTAIS OU INDIRETOS, INCLUINDO, ENTRE OUTROS, DANOS PELA PERDA DE LUCROS COMERCIAIS, INTERRUPÇÃO DA ATIVIDADE, PERDA DE DADOS, CORRUPÇÃO DE

SISTEMAS OU PERDA DE DOCUMENTAÇÃO SEJA COM BASE NUMA VIOLAÇÃO DO CONTRATO, ATOS ILÍCITOS (INCLUÍDO NEGLIGÊNCIA), RESPONSABILIDADE PELO PRODUTO OU, DE OUTRO MODO, RELACIONADA COM A UTILIZAÇÃO DO PRODUTO, AINDA QUE A HIKVISION TENHA SIDO AVISADA SOBRE A POSSIBILIDADE DE TAIS DANOS OU PERDAS.

O UTILIZADOR RECONHECE QUE A NATUREZA DA INTERNET OFERECE RISCOS DE SEGURANÇA INERENTES E QUE A HIKVISION NÃO SERÁ RESPONSABILIZADA POR UM FUNCIONAMENTO ANORMAL, PERDA DE PRIVACIDADE OU OUTROS DANOS RESULTANTES DE ATAQUES INFORMÁTICOS, ATAQUES DE PIRATARIA, INFECÇÃO POR VÍRUS OU OUTROS RISCOS ASSOCIADOS À SEGURANÇA DA INTERNET. NO ENTANTO, A HIKVISION PRESTARÁ APOIO TÉCNICO ATEMPADO, SE SOLICITADO. O UTILIZADOR ACEITA UTILIZAR ESTE PRODUTO EM CONFORMIDADE COM TODAS AS LEIS APLICÁVEIS E SER O ÚNICO RESPONSÁVEL POR GARANTIR QUE A SUA UTILIZAÇÃO É CONFORME À LEI APLICÁVEL. PARTICULARMENTE, O UTILIZADOR É O RESPONSÁVEL PELA UTILIZAÇÃO DESTE PRODUTO DE MODO QUE NÃO INFRIJA OS DIREITOS DE TERCEIROS, INCLUINDO, ENTRE OUTROS, OS DIREITOS DE PUBLICIDADE, DIREITOS DE PROPRIEDADE INTELECTUAL OU DE PROTEÇÃO DE DADOS, OU QUAISQUER OUTROS DIREITOS DE PRIVACIDADE. O UTILIZADOR NÃO PODERÁ UTILIZAR ESTE PRODUTO PARA QUAISQUER

UTILIZAÇÕES FINAIS PROIBIDAS, INCLUINDO O DESENVOLVIMENTO OU PRODUÇÃO DE ARMAS DE DESTRUIÇÃO MACIÇA, DESENVOLVIMENTO OU PRODUÇÃO DE QUÍMICOS OU ARMAS BIOLÓGICAS, QUAISQUER ATIVIDADES DESENVOLVIDAS NO ÂMBITO DE EXPLOSIVOS NUCLEARES OU CICLOS DE COMBUSTÍVEL NUCLEAR INSEGURO OU PARA APOIAR ABUSOS AOS DIREITOS HUMANOS.

NA EVENTUALIDADE DA OCORRÊNCIA DE ALGUM CONFLITO ENTRE ESTE MANUAL E A LEGISLAÇÃO APLICÁVEL, ESTA ÚLTIMA PREVALECE.

### **As presentes cláusulas aplicam-se apenas aos produtos que apresentam a marcação ou informação correspondentes.**

#### **Declaração de conformidade da UE**



Este produto e, se aplicável, os acessórios fornecidos com o mesmo, têm a marcação "CE" e estão, por isso, em conformidade com os padrões europeus aplicáveis, indicados na diretiva 2014/30/UE (EMCD) e na diretiva 2011/65/UE (RSP).

Nota: Os produtos com uma tensão de entrada situada entre 50 e 1000 V CA ou entre 75 e 1500 V CC estão em conformidade com a diretiva 2014/35/UE (LVD) e os restantes produtos estão em conformidade com a diretiva 2001/95/CE (GPSD). Verifique a informação da fonte de alimentação específica para referência.



Diretiva 2012/19/UE (diretiva REEE): Os produtos com este símbolo não podem ser eliminados como resíduos urbanos indiferenciados na União Europeia. Para uma reciclagem adequada, devolva este produto

ao seu fornecedor local quando adquirir um novo equipamento equivalente ou elimine-o através dos pontos de recolha adequados. Para obter mais informações consulte:

[www.recyclethis.info](http://www.recyclethis.info).



Diretiva 2006/66/CE e respetiva alteração 2013/56/UE (diretiva relativa às pilhas e baterias): Este produto contém uma bateria que não pode ser eliminada como resíduo urbano indiferenciado na União Europeia.

Consulte a documentação do produto para obter informações específicas acerca da bateria. A bateria está marcada com este símbolo, que poderá incluir inscrições para indicar a presença de cádmio (Cd), chumbo (Pb), ou mercúrio (Hg). Para reciclar o produto de forma adequada, devolva a bateria ao seu fornecedor ou coloque-a num ponto de recolha apropriado. Para obter mais informações consulte: [www.recyclethis.info](http://www.recyclethis.info).

#### **Informações relacionadas com a segurança**

Antes da utilização, leia atentamente todas as informações relacionadas com a segurança.

##### **Eletricidade**

- Durante a utilização do produto, o utilizador tem de estar em estrita conformidade com as normas de segurança elétrica do país e região.
- Providencie um supressor de picos na abertura da entrada do dispositivo em condições especiais, como no cimo de uma montanha, numa torre de ferro ou na floresta.
- **ADVERTÊNCIA:** Se o fusível do dispositivo puder ser substituído, substitua-o apenas pelo mesmo tipo e classificação do fusível para reduzir o risco de incêndio ou choque elétrico.

##### **Bateria**



#### **ADVERTÊNCIA**



1. Não ingira a pilha. Perigo de queimadura causada por produtos químicos!
2. Este produto contém uma pilha celular tipo botão. Se a pilha celular tipo botão for engolida, pode causar queimaduras internas graves em apenas 2 horas e pode provocar a morte.
3. Mantenha as pilhas novas e usadas longe do alcance das crianças.
4. Se o compartimento da pilha não fechar de forma segura, suspenda a utilização do produto e mantenha-o longe do alcance das crianças.
5. Se acredita ter ingerido ou colocado uma pilha no interior do organismo, consulte um médico de imediato.
6. **ADVERTÊNCIA:** Existe risco de explosão se a bateria for substituída por outra de tipo incorreto.
7. A substituição incorreta da bateria por outra de tipo incorreto pode destruir uma proteção (por exemplo, no caso de alguns tipos de bateria de lítio).
8. Não proceda à eliminação da bateria numa fogueira ou forno quente, ou mediante esmagamento ou corte mecânico da mesma pois tal pode resultar numa explosão.
9. Não deixe a bateria num ambiente com temperaturas extremamente elevadas pois tal pode resultar numa explosão ou na fuga de líquido inflamável ou gás.
10. Não sujeite a bateria a pressão de ar extremamente baixa pois tal poderá resultar numa explosão de líquido inflamável ou gás.
11. Elimine pilhas/baterias usadas de acordo com as instruções.

- Nas baterias com sinais "+" e "-", "+" identifica os terminais positivos do dispositivo que é utilizado com ou gera corrente contínua, e "-" identifica os terminais negativos do dispositivo que é utilizado com ou gera corrente contínua.

#### **Prevenção de incêndios**

- Não deverão ser colocadas fontes de chama livre, como velas acesas, sobre o equipamento.
- A porta série do equipamento é utilizada apenas para a depuração.
- A porta de saída de potência do dispositivo não cumpre a Fonte de alimentação limitada. O dispositivo para o qual é fornecida energia por esta porta deverá estar equipado com um revestimento ignífugo.

#### **Prevenção de superfícies quentes**

- Nos dispositivos com um autocolante  ou , tenha atenção aos seguintes avisos:  
**ADVERTÊNCIA:** Peças quentes! Não toque. Queimadura dos dedos resultante do manuseamento das peças. Desligue o equipamento, aguarde trinta minutos e só então deverá manusear as peças.  
Este autocolante indica que o elemento assinalado pode estar quente, pelo que não lhe deve tocar sem a devida precaução. Os dispositivos com este autocolante devem ser instalados num local com acesso restrito. Apenas poderão ter acesso a esses dispositivos funcionários e utilizadores que tenham sido instruídos relativamente aos motivos pelos quais essas restrições de localização têm de ser aplicadas e que tenham sido alertados sobre que cuidados deverão adotar.

#### **Instalação**

- Este dispositivo só pode ser utilizado em segurança na região abaixo dos 2000 metros acima do nível do mar.

- Não instale dispositivos para utilização profissional em locais onde seja provável a presença de crianças.
- Se o dispositivo tiver de ser instalado na parede ou no teto, instale o dispositivo de acordo com as instruções no Guia de início rápido. Fixe corretamente o dispositivo ao chão/parede, de acordo com as instruções de instalação, a fim de evitar lesões.
- Não toque nas bordas ou nos cantos afiados.
- **ADVERTÊNCIA:** Se o suporte estiver concebido para um modelo de dispositivo específico da nossa empresa, apenas utilize o suporte com o dispositivo correspondente. A utilização com outros dispositivos pode resultar em instabilidade e causar ferimentos. Consulte a ficha técnica do dispositivo para ver os detalhes.
- **ADVERTÊNCIA:** Se o dispositivo tiver de ser instalado com um suporte específico da nossa empresa, use apenas o suporte correspondente. A utilização de outro equipamento (como carrinhos, andaimes e transportadores) pode resultar em instabilidade e causar ferimentos. Consulte a ficha de dados do dispositivo para detalhes sobre o modelo de suporte.

#### Transporte

- Mantenha o dispositivo na embalagem original ou similar, quando o transportar.

#### Manutenção

- Se o produto não funcionar corretamente, contacte o seu fornecedor ou o seu centro de assistência mais próximo. Não assumimos qualquer responsabilidade por problemas causados por reparações ou manutenções não autorizadas. Alguns componentes do dispositivo (por exemplo, condensador eletrolítico) necessita de substituição regular. A duração média varia, portanto, recomenda-se verificação periódica. Entre em contacto com o respetivo revendedor para obter detalhes.

#### Limpeza

- Utilize um pano seco e suave para limpar as superfícies interiores e exteriores da cobertura do produto. Não utilize detergentes alcalinos.

#### Ambiente da utilização

- Certifique-se de que o ambiente de funcionamento do dispositivo cumpre os requisitos do mesmo. **NÃO** coloque o dispositivo em locais extremamente quentes, frios, poeirentos ou húmidos, bem como não a exponha a radiação eletromagnética elevada. Para os requisitos de temperatura e humidade, consulte a especificação do dispositivo para mais detalhes.

#### Emergência

- Caso o dispositivo emita fumo, odores ou ruídos, desligue a alimentação elétrica de imediato, retire o cabo de alimentação da tomada e contacte o centro de assistência.

## Nederlands

#### Informatie over naleving van regelgeving en veiligheid

Lees alle informatie en instructies in dit document aandachtig door voordat u het apparaat gebruikt en bewaar deze om ze later te kunnen raadplegen.

Voor meer informatie en instructies, bezoekt u onze website op <https://www.hikvision.com>. U kunt ook andere documenten (als die er zijn) die bij het apparaat zijn geleverd, raadplegen of u kunt de QR-code (als die er is) op de verpakking scannen om meer informatie te verkrijgen.

#### Vrijwaringsclausule

VOOR ZOVER MAXIMAAL TOEGESTAAN OP GROND VAN HET TOEPASSELIJK RECHT, WORDEN DEZE HANDLEIDING EN HET OMSCHREVEN PRODUCT, INCLUSIEF HARDWARE, SOFTWARE EN FIRMWARE, GELEVERD 'ZOALS ZE ZIJN', INCLUSIEF 'FOUTEN EN GEBREKEN'. HIKVISION GEEFT GEEN GARANTIES, EXPLICIET NOCH IMPLICIET, INCLUSIEF ZONDER BEPERKING OMTRENT VERKOOPBAARHEID, TEVREDENHEID OMTRENT KWALITEIT OF GESCHIKTHEID VOOR EEN BEPAALD DOEL. HET GEBRUIK VAN HET PRODUCT DOOR U IS OP EIGEN RISICO. IN GEEN GEVAL IS HIKVISION VERANTWOORDELIJK VOOR SPECIALE, BIJKOMENDE, INCIDENTELE OF INDIRECTE SCHADE, WAARONDER, ONDER ANDERE, SCHADE VAN VERLIES AAN ZAKELIJKE WINST, ZAKELIJKE ONDERBREKING OF VERLIES VAN GEGEVENS, CORRUPTIE OF SYSTEMEN, OF VERLIES VAN DOCUMENTATIE, ONGEACHT OF DIT VOORTVLOEIT UIT CONTRACTBREUK, BENADELING (INCLUSIEF NALATIGHEID), PRODUCTAANSPRAAKELIJKHEID OF ANDERS, MET BETREKKING TOT HET PRODUCT, ZELFS ALS HIKVISION OP DE HOOGTE IS GEBRACHT VAN ZULKE SCHADE OF VERLIES. U ERKENT DAT DE AARD VAN INTERNET INHERENTE VEILIGHEIDSRISICO'S MET ZICH MEE BRENGT, EN HIKVISION GEEN ENKELE VERANTWOORDELIJKHEID NEEMT VOOR ABNORMALE WERKING, PRIVACYLEKKEN OF ANDERE SCHADE DIE VOORTVLOEIT UIT CYBERAANVAL, HACKERAANVAL, VIRUSINFECTIE, OF ANDERE

INTERNETVEILIGHEIDSRISICO'S; HIKVISION BIEDT INDIEN NODIG ECHTER TIJDELIJK TECHNISCHE ONDERSTEUNING.

U GAAT AKKOORD MET HET GEBRUIK VAN DIT PRODUCT IN OVEREENSTEMMING MET ALLE TOEPASBARE WETTEN EN UITSLUITEND U BENT VERANTWOORDELIJK VOOR DE GARANTIE DAT UW GEBRUIK OVEREENSTEMT MET DE TOEPASBARE WET. U BENT VOORAL VERANTWOORDELIJK DAT HET GEBRUIK VAN DIT PRODUCT GEEN INBREUK MAAKT OP DE RECHTEN VAN DERDEN, INCLUSIEF EN ZONDER BEPERKING DE RECHTEN VAN PUBLICITEIT, INTELLECTUEEL EIGENDOM, OF GEGEVENSBECHERMING EN ANDERE PRIVACYRECHTEN. U MAG DIT PRODUCT NIET GEBRUIKEN VOOR ENIGE ONWETTIG EINDGEBRUIK, MET INBEGRIJ VAN DE ONTWIKKELING OF DE PRODUCTIE VAN MASSAVERNIEGINGSWAPENS, DE ONTWIKKELING OF DE PRODUCTIE VAN CHEMISCHE OF BIOLOGISCHE WAPENS, ALLE ACTIVITEITEN IN HET KADER VAN EVENTUELE NUCLEAIRE EXPLOSIEVEN OF ONVEILIGE NUCLEAIRE BRANDSTOF CYCLUS, OF TER ONDERSTEUNING VAN MENSENRECHTENSCHENDINGEN. IN HET GEVAL VAN ENIGE CONFLICTEN TUSSEN DEZE HANDLEIDING EN DE TOEPASSELIJKE WETGEVING, PREVALEERT DE LAATSTE.

#### Deze clausules zijn alleen van toepassing op de producten die de overeenkomende markering of informatie dragen.

#### Nalevingsverklaring EU



Dit product en - indien van toepassing - ook de meegeleverde accessoires zijn gemarkeerd met „CE” en voldoen daarom aan de toepasselijke

geharmoniseerde Europese normen vermeld onder de Richtlijn 2014/30/EU (EMCD) en Richtlijn 2011/65/EU (RoHS).

Opmerking: De producten met een ingangsspanning van 50 tot 1000 VAC of 75 tot 1500 VDC voldoen aan de Richtlijn 2014/35/EU



(LVD), en de restproducten voldoen aan de Richtlijn 2001/95/EG (GPSD). Bekijk de specifieke informatie over de voeding ter referentie.



Richtlijn 2012/19/EU (WEEE-richtlijn): Producten die met dit symbool zijn gemarkeerd mogen binnen de Europese Unie niet worden weggegooid als ongesorteerd huishoudelijk afval. Lever dit product

voor een juiste recycling in bij uw plaatselijke leverancier bij aankoop van soortgelijke nieuwe apparatuur, of breng het naar daarvoor aangewezen inzamel punten. Zie voor meer informatie: [www.recyclethis.info](http://www.recyclethis.info).



Richtlijn 2006/66/EG en zijn amendement 2013/56/EU (Batterijrichtlijn): Dit product bevat een batterij die binnen de Europese Unie niet mag worden weggegooid als ongesorteerd huishoudelijk afval. Zie de

productdocumentatie voor specifieke informatie over de batterij. De batterij is gemarkeerd met dit symbool, dat letters kan bevatten die cadmium (Cd), lood (Pb) of kwik (Hg) aanduiden. Lever de batterij voor een juiste recycling in bij uw leverancier of bij een daarvoor aangewezen inzamel punt. Zie voor meer informatie: [www.recyclethis.info](http://www.recyclethis.info).

## Veiligheidsinformatie

Lees alle veiligheidsinformatie aandachtig door vóór het gebruik.

### Elektriciteit

- U moet zich bij het gebruik van het product strikt houden aan de elektrische veiligheidsvoorschriften van het land en de regio.
- Zorg voor een overspanningsbeveiliging bij de inlaatopening van het apparaat onder speciale omstandigheden, zoals op een bergtop, ijzeren toren en in het bos.
- LET OP: Als de zekering van het apparaat kan worden vervangen, vervang deze dan alleen door zekeringen van hetzelfde type en met dezelfde classificatie om het risico op brand of elektrische schokken te verminderen.

### Batterij



#### ● WAARSCHUWING

1. Slik de batterij niet in. Gevaar voor chemische brandwonden!
2. Dit product bevat een knoopbatterij. Als de knoopbatterij wordt ingeslikt, kan dat binnen slechts 2 uur leiden tot hevige interne brandwonden en kan dit de dood tot gevolg hebben.
3. Houd nieuwe en gebruikte batterijen buiten bereik van kinderen.
4. Als het batterijvak niet goed sluit, gebruik het product dan niet langer en houd het buiten bereik van kinderen.
5. Als u vermoedt dat de batterijen zijn ingeslikt of in enig deel van het lichaam zijn gebracht, roep dan onmiddellijk medische hulp in.
6. LET OP: Er bestaat explosiegevaar wanneer de batterij door een onjuist type wordt vervangen.
7. Onjuiste vervanging van de batterij door een onjuist type kan een beveiliging omzeilen (bijvoorbeeld in het geval van sommige typen lithiumbatterijen).
8. Gooi de batterij niet in vuur of een hete oven en plet of snij de batterij niet op mechanische wijze, want dat kan een explosie veroorzaken.
9. Laat de batterij niet in een omgeving met een extreem hoge temperatuur liggen, want dat kan een explosie of het lekken van brandbare vloeistof of gas tot gevolg hebben.

10. Stel de batterij niet bloot aan extreem lage luchtdruk, want dat kan een explosie of het lekken van brandbare vloeistof of gas tot gevolg hebben.

11. Verwijder gebruikte batterijen in overeenstemming met de instructies.



- Voor de batterij met de tekens + en -, geeft + de positieve klemmen aan van het apparaat dat wordt gebruikt met, of gelijkstroom opwekt. - geeft de negatieve klemmen aan van het apparaat dat wordt gebruikt met, of gelijkstroom opwekt.

### Brandveiligheid

- Plaats geen bronnen met open vuur, zoals brandende kaarsen, op het apparaat.
- De seriële poort van de apparatuur wordt alleen gebruikt voor foutopsporing.
- De uitgangspoort van het apparaat voldoet niet aan Beperkte stroombron. Het apparaat dat via deze poort van stroom wordt voorzien, moet zijn uitgerust met een brandvertragende behuizing.

### Preventie hete oppervlakken



- Voor het apparaat met sticker  of , moet u aandacht besteden aan de volgende waarschuwingen: LET OP: Hete onderdelen! Niet aanraken. Verbrande vingers bij het hanteren van de onderdelen. Wacht een half uur na uitschakelen voordat u de onderdelen hanteert. Deze sticker is om aan te geven dat het gemarkeerde item heet kan zijn en niet mag worden aangeraakt zonder voorzichtig te zijn. Als het apparaat is voorzien van deze sticker, is het bestemd voor installatie in een ruimte met beperkte toegang. Er kan uitsluitend toegang worden verkregen door onderhoudspersoneel of door gebruikers die zijn geïnstrueerd over de redenen voor de beperkingen die van toepassing zijn op de locatie en over alle voorzorgsmaatregelen die moeten worden getroffen.

### Installatie

- Dit apparaat kan alleen veilig worden gebruikt onder 2000 meter boven de zeespiegel.
- Installeer geen apparaten voor professioneel gebruik op locaties waar er waarschijnlijk kinderen zullen komen.
- Als het apparaat moet worden geïnstalleerd aan de muur of het plafond, installeert u het apparaat in overeenstemming met de instructies in de Snelstartgids. Bevestig het apparaat op de juiste manier aan de vloer/muur in overeenstemming met de installatierichtlijnen om letsels te voorkomen.
- Raak de scherpe randen of hoeken niet aan.
- LET OP: Als de beugel is ontworpen voor een specifiek apparaatmodel van ons bedrijf, gebruik de beugel dan alleen met het bijbehorende apparaat. Gebruik met andere apparaten kan leiden tot instabiliteit en letsel. Raadpleeg het gegevensblad van het apparaat voor meer informatie.
- LET OP: Als het apparaat moet worden geïnstalleerd met een specifieke beugel van ons bedrijf, gebruik dan alleen de bijbehorende beugel. Het gebruik van andere (zoals karretjes, standaards en dragers) kan leiden tot instabiliteit en letsel. Raadpleeg het gegevensblad van het apparaat voor gegevens over het beugelmodel.

### Transport

- Bewaar het apparaat in de originele of soortgelijke verpakking tijdens vervoer.

### Onderhoud

- Als het product niet goed werkt, neem dan contact op met uw leverancier of het dichtstbijzijnde servicecentrum. Wij aanvaarden geen verantwoordelijkheid voor problemen die zijn veroorzaakt door ongeautoriseerde reparatie of onderhoud. Een paar componenten van het apparaat (o.a. elektrolytische condensator) vereisen regelmatige vervanging. De gemiddelde levensduur varieert, dus periodieke controle wordt aanbevolen. Neem contact op met uw leverancier voor meer informatie.

#### Reiniging

- Gebruik een zachte, droge doek om de binnenkant en buitenkant van de productklep te reinigen. Gebruik geen alkalische schoonmaakmiddelen.

## Čeština

#### Dodržování předpisů a bezpečnostní informace

Před použitím zařízení si pečlivě přečtěte všechny informace a pokyny v tomto dokumentu a dokument uschovejte pro pozdější použití.

Více informací a pokynů k tomuto zařízení najdete na našich webových stránkách <https://www.hikvision.com>. Další informace můžete také získat z ostatních dokumentů dodaných se zařízením (pokud byly nějaké dodány) nebo naskenováním QR kódu z obalu produktu (pokud se na něm nějaký kód nachází).

#### Prohlášení o vyloučení odpovědnosti

TATO PŘÍRUČKA A POPISOVANÉ PRODUKTY VČETNĚ PŘÍSLUŠNÉHO HARDWARU, SOFTWARE A FIRMWARE JSOU V MAXIMÁLNÍM ROZSAHU PŘÍPUSTNÉM PODLE ZÁKONA POSKYTOVÁNY, „JAK STOJÍ A LEŽÍ“, A „SE VŠEMI VADAMI A CHYBAMI“. SPOLEČNOST HIKVISION NEPOSKYTUJE ŽÁDNÉ VÝSLOVNÉ ANI PŘEDPOKLÁDANÉ ZÁRUKY ZAHRNÚJÍCÍ MIMO JINÉ PRODEJNOST, USPOKOJIVOU KVALITU NEBO VHODNOST KE KONKRÉTNÍM ÚČELŮM. POUŽÍVÁNÍ TOHOTO PRODUKTU JE NA VAŠE VLASTNÍ RIZIKO. SPOLEČNOST HIKVISION V ŽÁDNÉM PŘÍPADĚ NENESE ODPOVĚDNOST ZA JAKÉKOLI ZVLÁŠTNÍ, NÁSLEDNÉ, NÁHODNÉ NEBO NEPŘÍMÉ ŠKODY ZAHRNÚJÍCÍ MIMO JINÉ ŠKODY ZE ZTRÁTY OBCHODNÍHO ZISKU, PŘERUŠENÍ OBCHODNÍ ČINNOSTI NEBO ZTRÁTY DAT, POŠKOZENÍ SYSTÉMŮ NEBO ZTRÁTY DOKUMENTACE V SOUVISLOSTI S POUŽÍVÁNÍM TOHOTO VÝROBKU BEZ OHLEDU NA TO, ZDA TAKOVÉ ŠKODY VZNIKLY Z DŮVODU PORUŠENÍ SMLOUVY, OBČANSKOPRÁVNÍHO PŘEČINU (VČETNĚ NEDBALOSTI) ČI ODPOVĚDNOSTI ZA PRODUKT, A TO ANI V PŘÍPADĚ, ŽE SPOLEČNOST HIKVISION BYLA NA MOŽNOST TAKOVÝCHTO ŠKOD NEBO ZTRÁTY UPOZORNĚNA.

BERETE NA VĚDOMÍ, ŽE INTERNET SVOU PODSTATOU PŘEDSTAVUJE SKRYTÁ BEZPEČNOSTNÍ RIZIKA A SPOLEČNOST HIKVISION PROTO NEPŘEBÍRÁ ŽÁDNOU ODPOVĚDNOST ZA NESTANDARDNÍ PROVOZNÍ CHOVÁNÍ, ÚNIK OSOBNÍCH ÚDAJŮ NEBO JINÉ ŠKODY VYPLÝVAJÍCÍ Z KYBERNETICKÉHO ČI HACKERSKÉHO ÚTOKU, NAPADENÍ VIREM NEBO ŠKODY ZPŮSOBENÉ JINÝMI INTERNETOVÝMI BEZPEČNOSTNÍMI RIZIKY; SPOLEČNOST HIKVISION VŠAK V PŘÍPADĚ POTŘEBY POSKYTNÉ VČASNOU TECHNICKOU PODPORU.

SOUHLASÍTE S TÍM, ŽE TENTO PRODUKT BUDE POUŽÍVÁN V SOULADU SE VŠEMI PLATNÝMI ZÁKONY A VÝHRADNĚ ODPOVÍDÁTE ZA ZAJIŠTĚNÍ, ŽE VAŠE UŽÍVÁNÍ BUDE V SOULADU S PLATNOU LEGISLATIVOU. ODPOVÍDÁTE ZEJMÉNA ZA POUŽÍVÁNÍ PRODUKTU ZPŮSOBEM, KTERÝ NEPORUŠUJE PRÁVA TŘETÍCH STRAN, COŽ ZAHRNÚJE MIMO JINÉ PRÁVO NA OCHRANU OSOBNOSTI, PRÁVO DUŠEVNÍHO VLASTNICTVÍ NEBO PRÁVO NA OCHRANU OSOBNÍCH ÚDAJŮ A DALŠÍ PRÁVA NA OCHRANU

#### Gebruiksomgeving

- Zorg dat de gebruiksomgeving voldoet aan de vereisten van het apparaat. Plaats het apparaat NIET op extreem hete, koude, stoffige of vochtige locaties en stel het niet bloot aan sterke elektromagnetische straling. Raadpleeg de specificaties van het apparaat voor meer informatie over temperatuur- en vochtigheidsvereisten.

#### Noodgeval

- Als er rook, geur of geluid uit het apparaat komt, schakel het dan onmiddellijk uit, haal de stekker van het netsnoer uit het stopcontact en neem contact op met het servicecentrum.

SOUKROMÍ. TENTO PRODUKT NESMÍTE POUŽÍVAT K JAKÝMKOLI NEDOVOLĚNÝM KONCOVÝM ÚČELŮM VČETNĚ VÝVOJE ČI VÝROBY ZBRANÍ HROMADNĚHO NIČENÍ, VÝVOJE NEBO VÝROBY CHEMICKÝCH ČI BIOLOGICKÝCH ZBRANÍ NEBO JAKÝCHKOLI ČINNOSTÍ SOUVISEJÍCÍCH S JADERNÝMI VÝBUŠNINAMI NEBO NEBEZPEČNÝM JADERNÝM PALIVOVÝM CYKLEM ČI K PODPOŘE PORUŠOVÁNÍ LIDSKÝCH PRÁV.

V PŘÍPADĚ JAKÉHOKOLI ROZPORU MEZI TÍMTO NÁVODEM A PŘÍSLUŠNÝMI ZÁKONY PLATÍ DRUHÉ ZMÍNĚNÉ.

#### Tyto části se vztahují pouze k výrobkům nesoucím odpovídající označení nebo informaci.

#### Prohlášení o shodě EU



Tento výrobek, a případně i dodané příslušenství, jsou označeny štítkem „CE“, což znamená, že vyhovují příslušným harmonizovaným evropským normám uvedeným ve směrnici 2014/30/EU (EMCD) a směrnici 2011/65/EU (RoHS).

Poznámka: Výrobky se vstupním napětím 50 až 1 000 V AC nebo 75 až 1 500 V DC vyhovují směrnici 2014/35/EU (LVD) a ostatní výrobky vyhovují směrnici 2001/95/ES (GPSD). Přečtěte si informace o konkrétním zdroji napájení.



Směrnice 2012/19/EU (směrnice WEEE): Výrobky označené tímto symbolem nelze v Evropské unii likvidovat společně s netříděným domovním odpadem.

Při zakoupení nového ekvivalentního výrobku tento výrobek řádně zrecykujte vrácením svému místnímu dodavateli, nebo jej zlikvidujte odevzdáním v určených sběrných místech. Více informací naleznete na webu: [www.recyclethis.info](http://www.recyclethis.info).



Směrnice 2006/66/ES a její úprava 2013/56/EU (směrnice o bateriích): Tento výrobek obsahuje baterii, kterou nelze v Evropské unii likvidovat společně s netříděným domovním odpadem. Konkrétní

informace o baterii naleznete v dokumentaci výrobku. Baterie je označena tímto symbolem, který může obsahovat písmena značící kadmium (Cd), olovo (Pb) nebo rtuť (Hg). Za účelem řádné recyklace baterii odevzdejte svému dodavateli nebo na určené sběrné místo. Více informací naleznete na webu:

[www.recyclethis.info](http://www.recyclethis.info).


#### Bezpečnostní informace

Před použitím si pečlivě přečtěte všechny bezpečnostní pokyny.

#### Elektřina

- Při používání výrobku je nutné přísně dodržovat všechny národní a místní předpisy týkající se elektrické bezpečnosti.
- Ve speciálních podmínkách, jako je na vrcholcích hor, na kovové věži nebo v lese, namontujte do vstupního otvoru zařízení přepětovou ochranu.
- **UPOZORNĚNÍ:** Pokud lze pojistku zařízení vyměňovat, vyměňujte ji pouze za pojistku stejného typu a se stejnými jmenovitými hodnotami, abyste snížili riziko požáru nebo úrazu elektrickým proudem.

#### Baterie

-  **VAROVÁNÍ**
- 1. Zabraňte spolknutí baterie. Nebezpečí popálení chemikáliemi!
- 2. Tento výrobek obsahuje knoflíkovou baterii. Dojde-li ke spolknutí knoflíkové baterie, může dojít k závažným popáleninám již za dvě hodiny, a následkem může být smrt.
- 3. Nové a použité baterie uchovávejte mimo dosah dětí.
- 4. Nezavře-li se bezpečně přihrádka na baterie, přestaňte výrobek používat a držte jej mimo dosah dětí.
- 5. Pokud se domníváte, že mohlo dojít ke spolknutí baterií nebo jejich umístění uvnitř kterékoli části těla, okamžitě vyhledejte lékařskou pomoc.
- 6. **UPOZORNĚNÍ:** Při výměně baterie za nesprávný typ hrozí nebezpečí výbuchu.
- 7. Vyměníte-li baterii za nesprávný typ, může dojít k poškození bezpečnostního prvku (například v případě některých typů lithiových baterií).
- 8. Nevhazujte do ohně, nevládejte do horké trouby, mechanicky ji nedrťte ani neřezejte. Mohlo by dojít k výbuchu.
- 9. Neoponechávejte baterii v prostředí s extrémně vysokou teplotou, protože by mohlo dojít k výbuchu nebo úniku hořlavé kapaliny nebo plynu.
- 10. Nevystavujte baterii extrémně nízkému tlaku vzduchu, protože by mohlo dojít k výbuchu nebo úniku hořlavé kapaliny nebo plynu.
- 11. Použité baterie zlikvidujte podle pokynů.
- U baterie se značkami „+“ a „-“ označuje „+“ kladné póly zařízení, které se používá nebo generuje stejnosměrný proud, a „-“ označuje záporné póly zařízení, které se používá nebo generuje stejnosměrný proud.

#### Požární ochrana

- Na zařízení se nesmí pokládat zdroje otevřeného ohně jako například hořící svíčky.
- Sériový port zařízení se používá pouze k ladění.
- Výstupní port napájení zařízení neodpovídá požadavkům na omezený zdroj napájení. Zařízení, které je prostřednictvím tohoto portu napájeno, musí být vybaveno ohnivzdorným krytem.

#### Ochrana před horkým povrchem

- Je-li na zařízení štítek  nebo  , věnujte pozornost následujícím upozorněním:



**UPOZORNĚNÍ:** Horké díly! Nedotýkejte se. Při manipulaci s díly si můžete popálit prsty. Než budete s díly manipulovat, vyčkejte po vypnutí zařízení půl hodiny.

Tato nálepka označuje, že označená položka může být horká a měli byste se jí vždy dotýkat opatrně. Zařízení s touto nálepkou je určeno k instalaci na místě s omezeným přístupem, přístup mohou získat pouze zaměstnanci servisu nebo uživatelé, kteří byli poučeni o důvodech omezení vztahujících se k místu a o veškerých ochranných opatřeních, která mají být přijata.

#### Montáž

- Toto zařízení lze bezpečně používat výhradně v oblasti do 2 000 metrů nadmořské výšky.
- Nemontujte zařízení pro profesionální používání do míst, kde by se mohly vyskytovat děti.
- Pokud musí být zařízení namontováno na zeď nebo strop, namontujte jej podle pokynů ve stručné příručce. Připevňte zařízení k podlaze/zdi řádně podle montážních pokynů, abyste zabránili zranění.
- Nedotýkejte se ostrých hran ani rohů.
- **UPOZORNĚNÍ:** Pokud je držák určen pro konkrétní model zařízení naší společnosti, používejte ho pouze s odpovídajícím zařízením. Při použití s jiným zařízením může být instalace nestabilní a může dojít ke zranění. Podrobnosti naleznete v katalogovém listu zařízení.
- **UPOZORNĚNÍ:** Pokud je zařízení nutné instalovat s určitým držákem naší společnosti, použijte pouze odpovídající držák. Při použití jiného vybavení (vozíků, stojanů nebo nosičů) může být instalace nestabilní a může dojít ke zranění. Podrobnosti o modelu držáku naleznete v katalogovém listu zařízení.

#### Přeprava

- Při přepravě uchovávejte zařízení v původním nebo jemu podobném balení.

#### Údržba

- V případě, že výrobek nefunguje správně, obraťte se na prodejce nebo na nejbližší servisní středisko. Nepřebíráme žádnou odpovědnost za problémy způsobené neoprávněnou opravou nebo údržbou. Některé z komponent zařízení (např. elektrolytický kondenzátor) je nutné pravidelně vyměňovat. Průměrná doba životnosti se liší, doporučujeme proto pravidelné kontroly. Podrobnosti vám poskytne prodejce.

#### Čištění

- Při čištění vnitřní a vnější plochy krytu produktu použijte měkký a suchý hadřík. Nepoužívejte alkalické čisticí prostředky.

#### Provozní prostředí

- Zajistěte, aby provozní prostředí vyhovovalo požadavkům zařízení. Zařízení NEUMISŤUJTE na místa s extrémně vysokými nebo nízkými teplotami, do prašného nebo vlhkého prostředí a ani jej nevystavujte vysokému elektromagnetickému záření. Podrobnosti o požadavcích týkajících se teploty a vlhkosti naleznete v technických údajích zařízení.

#### Stav nouze

- Pokud ze zařízení vychází kouř, zápach nebo hluk, zařízení okamžitě vypněte, odpojte napájecí kabel a obraťte se na servisní středisko.

**Lovgivningsmæssig overensstemmelse og sikkerhedsoplysninger**  
Læs alle oplysninger og instrukser i dette dokument omhyggeligt, inden du tager enheden i brug, og gem dokumentet som reference.

Besøg vores websted på <https://www.hikvision.com> for yderligere oplysninger og instrukser vedr. enheden. Du kan også læse evt. andre dokumenter, der leveres med enheden, eller scanne en evt. QR-kode på emballagen for yderligere oplysninger.

**Dansk**

## Ansvarsfraskrivelse

VEJLEDNINGEN OG DET HERI BESKREVNE PRODUKT, INKL. HARDWARE, SOFTWARE OG FIRMWARE, LEVERES I STØRST MULIGT OMFANG, DER ER TILLADT VED LOV, "SOM DET ER OG FOREFINDES" OG "MED ALLE DEFEKTER OG FEJL". HIKVISION UDSTEDER INGEN GARANTIER, UDTRYKKELEGE ELLER UNDERFORSTÅEDE, INKL. UDEN BEGRÆNSNING, VEDRØRENDE SALGBARHED, TILFREDSSTILLENDE KVALITET ELLER EGNETHED TIL ET BESTEMT FORMÅL. DIN BRUG AF PRODUKTET SKER PÅ DIN EGEN RISIKO. UNDER INGEN OMSTÆNDIGHEDER ER HIKVISION ANSVARLIG OVER FOR DIG FOR SÆRLIGE SKADER, HÆNDELIGE SKADER, FØLGESKADER ELLER INDIREKTE SKADER, INKL. BL.A., SKADER SOM FØLGE AF DRIFTSTAB, DRIFTSFORSTYRRELSER ELLER TAB AF DATA, BESKADIGELSE AF SYSTEMER ELLER TAB AF DOKUMENTATION, UANSET OM DET ER BASERET PÅ KONTRAKTBRUD, SKADEVOLDENDE HANDLINGER (HERUNDER UAGTSOMHED), PRODUKTANSVAR ELLER PÅ ANDEN MÅDE I FORBINDELSE MED BRUGEN AF PRODUKTET, SELVOM HIKVISION ER BLEVET UNDERRETTET OM MULIGHEDEN FOR SÅDANNE SKADER.

DU ANERKENDER, AT INTERNETTET INDEHOLDER INDBYGGEDE SIKKERHEDSRISICI. HIKVISION PÅTAGER SIG INTET ANSVAR FOR UNORMAL DRIFT, LÆKAGE AF PERSONLIGE OPLYSNINGER ELLER ANDRE SKADER SOM FØLGE AF CYBERANGREB, HACKERANGREB, VIRUSANGREB ELLER ANDRE INTERNETSIKKERHEDSRISICI. HIKVISION VIL DOG YDE EVENTUEL NØDVENDIG OG RETTIDIG TEKNISK BISTAND.

DU ERKLÆRER DIG INDFORSTÅET MED AT BRUGE PRODUKTET I OVERENSSTEMMELSE MED ALLE GÆLDENDE LOVE, OG DU ER ENEANSVARLIG FOR AT SIKRE, AT DIN BRUG OVERHOLDER AL GÆLDENDE LOVGIVNING. DU ER ISÆR ANSVARLIG FOR AT BRUGE PRODUKTET PÅ EN MÅDE, DER IKKE KRÆNKER TREDJEPARTERS RETTIGHEDER, HERUNDER, UDEN BEGRÆNSNINGER, RETTIGHEDER VEDRØRENDE OFFENTLIG OMTALE, INTELLEKTUELLE EJENDOMSRETTIGHEDER ELLER RETTIGHEDER VEDRØRENDE DATABESKYTTELSE OG ANDRE RETTIGHEDER VEDRØRENDE PERSONLIGE OPLYSNINGER. DU MÅ IKKE BRUGE PRODUKTET TIL FORBUDTE SLUTANVENDELSER, HERUNDER UDVIKLING ELLER FREMSTILLING AF MASSEØDELÆGGELSESVÅBEN, UDVIKLING ELLER PRODUKTION AF KEMISKE ELLER BIOLOGISKE VÅBEN, AKTIVITETER I DEN KONTEKST, DER ER KNYTTET TIL ATOMBOMBER ELLER USIKKERT REAKTORBRÆNDSEL, ELLER SOM STØTTE TIL OVERTRÆDELSE AF MENNESKERETTIGHEDER.

I TILFÆLDE AF UOVERENSSTEMMELSE MELLEM VEJLEDNINGEN OG GÆLDENDE LOVGIVNING GÆLDER SIDSTNÆVNTE.

---

## Disse bestemmelser gælder kun for produkter, der er forsynet med det relevante mærke eller oplysninger.

---

### Erklæring om overensstemmelse med EU



Produktet og eventuelt medfølgende tilbehør er mærket "CE" og opfylder derfor gældende harmoniserede europæiske standarder anført i

EU-direktiv 2014/30/EU (EMCD) og EU-direktiv 2011/65/EU (RoHS).

Bemærk: Produkter med en indgangsspænding på 50 til 1.000 V vekselstrøm eller 75 til 1.500 V jævnstrøm overholder direktiv 2014/35/EU (LVD), og de øvrige produkter overholder direktiv 2001/95/EF (GPSD). Kontrollér oplysningerne om strømforsyningen for reference.



EU-direktiv 2012/19/EU (WEEE-direktivet): Produkter, der er mærket med dette symbol, kan ikke bortskaffes som almindeligt husholdningsaffald i EU. Med henblik på korrekt genbrug skal du aflevere produktet til din

lokale leverandør ved køb af tilsvarende nyt udstyr eller aflevere det på et dertil indrettet indleveringssted. Du kan få flere oplysninger her: [www.recyclethis.info](http://www.recyclethis.info).



Direktiv 2006/66/EF som ændret ved 2013/56/EU (batteridirektivet): Dette produkt indeholder et batteri, som ikke kan bortskaffes sammen med almindeligt husholdningsaffald i EU. Find specifikke oplysninger om

batteriet i produktokumentationen. Batteriet er mærket med dette symbol, som kan indeholde bogstaver, der indikerer indhold af kadmium (Cd), bly (Pb) eller kviksølv (Hg). Med henblik på korrekt genbrug skal du aflevere batteriet til din leverandør eller til et dertil indrettet indleveringssted. Du kan få flere oplysninger her: [www.recyclethis.info](http://www.recyclethis.info).

### Sikkerhedsanvisninger

Læs alle sikkerhedsanvisninger omhyggeligt inden ibrugtagning.

#### Elektricitet

- Når du anvender produktet, skal du strengt overholde landets og områdets sikkerhedsbestemmelser for elnettilslutning.
- Installér en spændingsdæmper ved enhedens indgangsåbning under særlige forhold som f.eks. bjergtop, jerntårn og skov.
- FORSIGTIG: Hvis enhedens sikring kan udskiftes, må den kun udskiftes med en anden af samme type og mærkedata for at reducere risikoen for brand eller elektriske stød.

#### Batteri



#### ● ADVARSEL

1. Slug ikke batteriet. Fare for kemisk ætsning!
  2. Produktet indeholder et mønt-/knapcellebatteri. Et mønt-/knapcellebatteri, der sluges, kan medføre alvorlige indre forbrændinger på bare 2 timer og kan medføre døden.
  3. Hold nye og brugte batterier væk fra børn.
  4. Hvis batterirummet ikke lukker forsvarligt, skal du stoppe med at bruge produktet og holde det væk fra børn.
  5. Hvis du tror, at en person har slugt et batteri eller placeret det i en del af kroppen, skal du øjeblikkeligt søge lægehjælp.
  6. FORSIGTIG: Der er eksplosionsfare, hvis batteriet udskiftes med en ukorrekt type.
  7. Udskiftning af batteriet med et batteri af forkert type kan sætte en sikkerhedsforanstaltning ud af kraft (gælder fx for visse litium-batterityper).
  8. Bortskaf ikke batteriet i åben ild eller en varm ovn. Knus ikke, og skær ikke i batteriet, da dette kan forårsage en eksplosion.
  9. Efterlad IKKE batteriet i omgivelser med ekstremt høje temperaturer, da det kan medføre en eksplosion eller lækage af brandfarlig væske eller luftart.
  10. Udsæt ikke batteriet for omgivelser med ekstremt lavt lufttryk, da det kan medføre en eksplosion eller lækage af brandfarlig væske eller luftart.
  11. Bortskaf brugte batterier i henhold til anvisningerne.
- For batterier med tegnene + og - angiver tegnet + de positive terminaler på enheden, som bruges med eller genererer jævnstrøm, og tegnet - angiver de negative terminaler på enheden, der bruges med eller genererer jævnstrøm.

#### Forebyggelse af brand

- Placér ikke kilder med åben ild, såsom et tændt stearinlys, oven på udstyret.

- Den serielle port på udstyret bruges kun til fejlfinding.
- Enhedens port til strømudgang overholder ikke LPS (Limited Power Source). Enheder, der strømforsynes via denne port, skal være udstyret med et brandhæmmende kabinet.

#### Forebyggelse mod varm overflade

- Vær opmærksom på følgende forholdsregler for enheder med

mærkat  eller  :

**FORSIGTIG:** Varme dele! Må ikke berøres. Du kan brænde fingrene ved håndtering af delene. Vent 30 minutter, efter at udstyret er slukket, før delene håndteres.

Klistermærket angiver, at den mærkede del kan være varm og bør berøres med forsigtighed. Hvis enheden har påsat dette klistermærke, betyder det, at enheden skal installeres et sted med begrænset adgang, hvor adgang kun kan opnås af servicepersonale eller af brugere, der er instruerede i årsagerne til stedets begrænsninger og i evt. forholdsregler, der skal træffes.

#### Installation

- Denne enhed kan kun bruges sikkert i områder op til 2.000 meter over havets overflade.
- Installér ikke enheder til professionel brug på steder, hvor der er mulighed for, at der færdes børn.
- Hvis enheden skal installeres på en væg eller i et loft, skal den installeres i overensstemmelse med anvisningerne i startvejledningen. Fastgør enheden forsvarligt til gulvet/væggen i overensstemmelse med installationsvejledningen for at undgå personskade.
- Rør ikke ved de skarpe kanter eller hjørner.
- **FORSIGTIG:** Hvis beslaget er udviklet til en bestemt enhedsmodel fra vores virksomhed, må du kun bruge beslaget sammen med den tilhørende enhed. Brug sammen med andre enheder kan

medføre ustabilitet og forårsage personskade. Find nærmere oplysninger i enhedens dataark.

- **FORSIGTIG:** Hvis det er nødvendigt at installere enheden med et bestemt beslag fra vores virksomhed, må du kun bruge det tilhørende beslag. Brug af andre (f.eks. arbejdsvogne, stativer og støtter) kan medføre ustabilitet og forårsage personskade. Find nærmere oplysninger om beslagsmodellen i enhedens dataark.

#### Transport

- Opbevar enheden i den oprindelige eller en lignende emballage, når den skal transporteres.

#### Vedligeholdelse

- Hvis produktet ikke virker korrekt, skal du kontakte din forhandler eller dit nærmeste servicecenter. Vi påtager os intet ansvar for problemer, der er forårsaget af uautoriseret reparation eller vedligeholdelse. Der er få enhedsdele (fx elektrolytkondensator), der skal udskiftes regelmæssigt. Den gennemsnitlige levetid varierer. Derfor er det nødvendigt at udføre regelmæssig kontrol. Kontakt din forhandler for nærmere oplysninger.

#### Rengøring

- Brug en blød, tør klud, når du rengør kamerakuplens yder- og indersider. Brug ikke alkaliske rengøringsmidler.

#### Driftsmiljø

- Kontrollér, at driftsmiljøet opfylder enhedens krav. Enheden MÅ IKKE anbringes på ekstremt varme, kolde, støvede eller fugtige steder, og den må ikke udsættes for høj elektromagnetisk stråling. Find nærmere oplysninger om krav til temperatur og luftfugtighed i enhedens specifikationer.

#### Nødsituation

- Hvis enheden afgiver røg, lugt eller støj, skal du straks slukke for strømmen og trække strømkablet ud. Kontakt derefter servicecentret.

## Magyar

#### Jogsabályi megfelelés és biztonsági információk

A készülék használata előtt figyelmesen olvassa el a jelen dokumentumban található összes információt és utasítást, és őrizze meg azokat jövőbeni referenciaként.

A készülékkel kapcsolatos további információkért és utasításokért kérjük, látogasson el weboldalunkra a <https://www.hikvision.com> címen. További információkhoz az eszkozhöz mellékelt egyéb dokumentumokat (ha van ilyen) vagy a csomagoláson található QR-kódot (ha van ilyen) is beolvashatja.

#### Felelősségkizárás

EZT A KÉZIKÖNYVET, VALAMINT A BENNE SZEREPLŐ TERMÉKET ANNAK HARDVER-, SZOFTVER-ÖSSZETEVŐIVEL ÉS FIRMWARE-ÉVEL EGYÜTT „EREDETI FORMÁBAN” BIZTOSÍTJUK, „BELEÉRTVE AZOK ÖSSZES ESETLEGES HIBÁJÁT”. A HIKVISION NEM VÁLLAL SEM KIFEJEZETT, SEM TÖRVÉNY ÁLTAL VÉLELMEZETT JÓTÁLLÁST, TÖBBEK KÖZÖTT – DE NEM KORLÁTOZVA – A TERMÉK ÉRTÉKESÍTHETŐSÉGÉRE, MEGFELELŐ MINŐSÉGÉRE, VALAMINT ADOTT CÉLRA VALÓ ALKALMASSÁGÁRA. A TERMÉKET KIZÁRÓLAG SAJÁT FELELŐSÉGÉRE HASZNÁLHATJA. A HIKVISION SEMMILYEN ESETBEN SEM VÁLLAL FELELŐSÉGET ÖN FELÉ SEMMILYEN KÜLÖNLEGES, KÖVETKEZMÉNYES, JÁRULÉKOS VAGY KÖZVETETT KÁRÉRT, BELEÉRTVE TÖBBEK KÖZÖTT A TERMÉK HASZNÁLATÁVAL ÖSSZEFÜGGÉSBE AZ ÜZLETI HASZON ELVESZTÉSÉBŐL, AZ ÜZLETMENET MEGSZAKADÁSÁBÓL, VALAMINT AZ ADATOK VAGY DOKUMENTUMOK ELVESZTÉSÉBŐL EREDŐ KÁROKAT, TÖRTÉNJEN EZ SZERZŐDÉSSZEGÉS VAGY KÁROKOZÁS (BELEÉRTVE A

GONDATLANSÁGOT) EREDMÉNYEKÉNT, MÉG AKKOR SEM, HA A HIKVISION VÁLLALATOT TÁJÉKOZTATTÁK AZ ILYEN KÁROK BEKÖVETKEZÉSÉNEK LEHETŐSÉGÉRŐL.

ÖN TUDOMÁSUL VESZI, HOGY AZ INTERNET TERMÉSZETÉBŐL FAKADÓAN REJT KOCKÁZATOKAT, ÉS A HIKVISION SEMMILYEN FELELŐSÉGET NEM VÁLLAL A RENDELLENES MŰKÖDÉSÉRT, A SZEMÉLYES ADATOK KISZIVÁRGÁSÁÉRT VAGY MÁS OLYAN KÁROKÉRT, AMELYEKET KIBERTÁMADÁSOK, HACKERTÁMADÁSOK, VÍRUSFERTŐZÉSEK VAGY MÁS INTERNETES BIZTONSÁGI VESZÉLYEK OKOZTAK; A HIKVISION AZONBAN KÉRÉSRE IDŐBEN MŰSZAKI TÁMOGATÁST NYÚJT.

ÖN ELFOGADJA, HOGY EZT A TERMÉKET KIZÁRÓLAG A VONATKOZÓ TÖRVÉNYI ELŐÍRÁSOK BETARTÁSÁVAL HASZNÁLJA, ÉS HOGY A VONATKOZÓ TÖRVÉNYEKNEK MEGFELELŐ HASZNÁLAT KIZÁRÓLAG AZ ÖN FELELŐSÉGE. KÜLÖNÖSKÉPPEN AZ ÖN FELELŐSÉGE, HOGY A TERMÉK HASZNÁLATA SORÁN NE SÉRTSE HARMADIK FÉL JOGAIT, BELEÉRTVE, DE NEM KORLÁTOZVA A NYILVÁNOSSÁGRA, SZELLEMI TULAJDONRA, ADATOK VÉDELMEÉRE ÉS EGYÉB SZEMÉLYES ADATOKRA VONATKOZÓ JOGOKAT. A TERMÉKET NEM HASZNÁLHATJA TILTOTT CÉLRA, BELEÉRTVE A TÖMEGPUSZTÍTÓ FEGYVEREK FEJLESZTÉSÉT VAGY GYÁRTÁSÁT, A VEGYI VAGY BIOLÓGIAI FEGYVEREK FEJLESZTÉSÉT VAGY GYÁRTÁSÁT, VALAMINT BÁRMILYEN, ROBBANÁSVESZÉLYES VAGY NEM BIZTONSÁGOS NUKLEÁRIS HASADÓANYAG-CIKLUSSAL KAPCSOLATOS TEVÉKENYSÉGET, ILLETVE EMBERI JOGI VISSZAELESEKET TÁMOGATÓ MÓDON TÖRTÉNŐ FELHASZNÁLÁST.

## Ezek a cikkelyek kizárólag a megfelelő jelzést vagy információt viselő termékekre vonatkoznak.

### EU megfelelési nyilatkozat



Ez a termék és a mellékelt tartozékai (ha vannak) a „CE” jelzést viselik, így megfelelnek a 2014/30/EU (EMCD) és a 2011/65/EU (RoHS) irányelvben felsorolt harmonizált európai szabványoknak.

Megjegyzés: Az 50 - 1000 V (egyenáram) vagy 75 - 1500 V (váltóáram) tartományba eső bemeneti feszültséggel rendelkező termékek a 2014/35/EU (LVD) irányelv előírásainak, míg a többi termék a 2001/95/EK (GPSD) irányelv előírásainak felel meg. Kérjük, ellenőrizze az adott tápegységre vonatkozó tájékoztató információkat.



2012/19/EU irányelv (WEEE irányelv): Az ilyen jelzéssel ellátott termékeket tilos szelektálatlan kommunális hulladékként elhelyezni az Európai Unió területén. A megfelelő újrahasznosítás érdekében vigye vissza ezt a

terméket helyi forgalmazóhoz, amikor új, egyenértékű berendezést vásárol, vagy adja le a kijelölt gyűjtőhelyeken.

További információk: [www.recyclethis.info](http://www.recyclethis.info).



2006/66/EK irányelv és annak 2013/56/EU kiegészítése (akkumulátor-irányelv): Ez a termék olyan elemet tartalmaz, amelyet nem lehet szelektálatlan kommunális hulladékként elhelyezni az Európai

Unióban. A termékdokumentációban további információkat talál az elemről. Az elem ezzel a jelzéssel van ellátva. A jelzésen megtalálhatók lehetnek a kadmiumot (Cd), ólmot (Pb) vagy higanyt (Hg) jelző betűjelek. A megfelelő újrahasznosítás érdekében vigye vissza ezt a terméket a beszállítójához, vagy vigye egy kijelölt gyűjtőhelyre. További információk:

[www.recyclethis.info](http://www.recyclethis.info).

### Biztonsági információk

Kérjük, használat előtt figyelmesen olvassa el az összes biztonsági információt.

#### Elektromosság

- A termék használata során az ország és a régió elektromos biztonsági előírásait szigorúan be kell tartani.
- Speciális elhelyezés (pl. hegytető, vastorony, erdő) esetén az eszköz bemeneti nyílásánál alkalmazzon túláramvédőt.
- VIGYÁZAT: Amennyiben a készülék biztosítéka cserélhető, a tűz vagy áramütés kockázatának csökkentése érdekében csak ugyanolyan típusú és besorolású biztosítékra cserélje.

#### Akkumulátor



#### FIGYELMEZTETÉS

1. Ne nyelje le az akkumulátort. Kémiai égésveszély!
2. Ez a termék gomelemet tartalmaz. A gomelem lenyelés esetén már 2 órán belül súlyos belső marási sérülést és akár halált okozhat.
3. Az új és használt elemek gyermekektől elzárva tartandók.
4. Ha az akkumulátorrekesz nem záródik megfelelően, ne használja a terméket, és gyermekektől tartsa elzárva.

5. Az elem lenyelésének vagy más testnyílásba helyezésének gyanúja esetén azonnal orvosi ellátást kell kérni.
6. VIGYÁZAT: Az akkumulátor nem megfelelő típusúra cserélése robbanásveszélyt idézhet elő.
7. Az akkumulátor nem megfelelő típusúal történő helyettesítése hatástalanná tehet egy biztonsági berendezést (például bizonyos típusú lítiumion-akkumulátorok esetében).
8. Tilos az akkumulátort tűzbe vagy forró sütőbe tenni, illetve az akkumulátort összezúzni vagy felválni, mert ez robbanást okozhat.
9. Tilos az akkumulátort rendkívül magas környezeti hőmérsékletnek kitenni, mert ez robbanást, illetve gyúlékony folyadék vagy gáz szivárgását idézheti elő.
10. Tilos az akkumulátort rendkívül alacsony légnyomásnak kitenni, mert ez robbanást, illetve gyúlékony folyadék vagy gáz szivárgását okozhatja.
11. A használt akkumulátorokat az utasításoknak megfelelően semlegesítse.

- A + és - jelű tápegység esetében, a „+” jelzés a készülék egyenáramot használó vagy gerjesztő pozitív csatlakozóit jelöli, míg a „-” jelzés a készülék egyenáramot használó vagy gerjesztő negatív csatlakozóit.

#### Tűzvédelmi előírások

- Tilos a készüléken nyílt lángforrást, pl. gyertyát elhelyezni.
- A készülék soros portja kizárólag hibakeresésre szolgál.
- A készülék tápfeszültség-kimenet portja nem kompatibilis korlátozott tápegységgel. Azt a készüléket, amely porton keresztül kap áramellátást, tűzgátló házzal kell ellátni.

#### Figyelmeztetés forró felületekre



- Ezekkel a matricákkal: ellátott készülék esetében ügyeljen a következő óvintézkedésekre: VIGYÁZAT: Forró részek! Ne érintse meg. Az alkatrészek megérintése esetén az ujjak égési sérülésének veszélye áll fenn. Ezeknek a részeknek a megérintése előtt várjon fél órát a készülék kikapcsolását követően. Ez a címke azt jelöli, hogy a jelölt elem forró lehet, és csak kellő elővigyázatossággal szabad megérinteni. A matricával megjelölt eszközöket korlátozottan hozzáférhető helyeken történő használatra tervezték, a hozzáférés csak a szervizszemélyzet vagy olyan felhasználók számára engedélyezett, akiket tájékoztattak a beépítési hely korlátozott hozzáférhetőségének okáról, valamint a szükséges óvintézkedésekről.

#### Telepítés

- A készülék csak a tengerszint feletti 2000 m-nél alacsonyabb térségekben használható biztonságosan.
- Ne telepítsen profi használatra szánt eszközöket olyan helyekre, ahol gyermekek is tartózkodhatnak.
- Ha a készüléket falra vagy mennyezetre kell felszerelni, akkor a rövid útmutatóban leírtak szerint telepítse a készüléket. A készüléket a telepítési utasításoknak megfelelően rögzítse a padlóhoz/falhoz, hogy elkerülje az esetleges sérüléseket.
- Ne érjen az éles szélékhez és sarkokhoz.
- VIGYÁZAT: Ha a konzol a vállalatunk egy speciális eszközehez való, a konzolt kizárólag ahhoz az eszközhöz használja. Ha más eszközökkel használja, a konzol instabillá válhat, és sérülést okozhat. A részletekért tekintse meg az eszköz adatlapját.
- VIGYÁZAT: Ha az eszközt a vállalatunk egy speciális konzollal kell telepíteni, csak a termékhez való konzolt használja. Más tartó megoldások (pl. kocsik, állványok és hordozók) instabillá

wálhatnak, ami sérülést okozhat. A konzol típusának a részleteit lásd az eszköz adatlapján.

#### Szállítás

- Szállítás alkalmával tartsa a terméket az eredeti vagy ahhoz hasonló csomagolásban.

#### Karbantartás

- Ha a termék NEM működik megfelelően, forduljon a kereskedőhöz vagy a legközelebbi szervizközpontoz. Nem vállalunk felelősséget az illetéktelen javításból vagy karbantartásból származó károkért. A készülék néhány alkatrésze (pl. elektrolit kondenzátor) rendszeres cserét igényel. Ezek átlagos élettartama változó, ezért rendszeres ellenőrzés ajánlott. Részletekért forduljon a forgalmazóhoz.

#### Tisztítás

- A termék burkolata külső és belső felületének tisztításához puha, száraz ruhát használjon. Ne használjon lúgos tisztítószereket.

#### Használati környezet

- Győződjön meg arról, hogy a használati környezet megfelel a készülék előírásainak. NE helyezze az eszközt szélsőségesen forró, hideg, poros vagy nedves környezetbe, és ne tegye ki erős elektromágneses sugárzásnak. A hőmérsékletre és páratartalomra vonatkozó követelményeket a készülék műszaki leírása tartalmazza.

#### Vészhelyzet

- Ha a készülék füstöt, furcsa szagot vagy zajt bocsát ki, azonnal kapcsolja ki, húzza ki a tápkábelt, majd forduljon a szervizközpontoz.

**Polski**

#### Informacje dotyczące zgodności z przepisami i bezpieczeństwa

Przed skorzystaniem z urządzenia należy uważnie przeczytać ten podręcznik i zachować go jako źródło informacji referencyjnych.

Aby uzyskać więcej informacji dotyczących urządzenia, skorzystaj z naszej witryny internetowej <https://www.hikvision.com>.

Aby uzyskać więcej informacji, można też skorzystać z innych dokumentów dostarczonych razem z urządzeniem lub zeskanować kod QR na opakowaniu.

#### Zastrzeżenia prawne

W PEŁNYM ZAKRESIE DOZWOLONYM PRZEZ OBOWIĄZUJĄCE PRAWO TEN PODRĘCZNIK, OPISANY PRODUKT I ZWIĄZANE Z NIM WYPOSAŻENIE ORAZ OPROGRAMOWANIE APLIKACYJNE I UKŁADOWE SĄ UDOSTĘPNIANE BEZ GWARANCJI.

FIRMA HIKVISION NIE UDZIELA ŻADNYCH WYRAŹNYCH ANI DOROZUMIANYCH GWARANCJI, TAKICH JAK GWARANCJE DOTYCZĄCE PRZYDATNOŚCI HANDLOWEJ, JAKOŚCI LUB PRZYDATNOŚCI DO OKREŚLONEGO CELU. UŻYTKOWNIK KORZYSTA Z PRODUKTU NA WŁASNE RYZYKO.

NIEZALEŻNIE OD OKOLICZNOŚCI FIRMA HIKVISION NIE PONOSI ODPOWIEDZIALNOŚCI ZA STRATY SPECJALNE, NASTĘPCZE, UBOCZNE LUB POŚREDNIE, TAKIE JAK STRATA OCZEKIWANYCH ZYSKÓW Z DZIAŁALNOŚCI BIZNESOWEJ, PRZERWY W DZIAŁALNOŚCI BIZNESOWEJ, USZKODZENIE SYSTEMÓW ALBO STRATA DANYCH LUB DOKUMENTACJI, WYNIKAJĄCE Z NARUSZENIA UMOWY, PRZEWINIENIA (ŁĄCZNIE Z ZANIEDBANIE), ODPOWIEDZIALNOŚCI ZA PRODUKT LUB INNYCH OKOLICZNOŚCI, ZWIĄZANE Z UŻYCIEM TEGO PRODUKTU, NAWET JEŻELI FIRMA HIKVISION ZOSTAŁA POINFORMOWANA O MOŻLIWOŚCI WYSTĄPIENIA TAKICH SZKÓD LUB STRAT.

UŻYTKOWNIK PRZYJMUJE DO WIADOMOŚCI, ŻE KORZYSTANIE Z INTERNETU JEST ZWIĄZANE Z ZAGROŻENIAMI DLA BEZPIECZEŃSTWA, A FIRMA HIKVISION NIE PONOSI ODPOWIEDZIALNOŚCI ZA NIEPRAWIDŁOWE FUNKCJONOWANIE, WYCIEK POUFNYCH INFORMACJI LUB INNE SZKODY WYNIKAJĄCE Z ATAKU CYBERNETYCZNEGO, ATAKU HAKERA, DZIAŁANIA WIRUSÓW LUB INNYCH ZAGROŻEŃ DLA BEZPIECZEŃSTWA W INTERNECIE. FIRMA HIKVISION ZAPEWNI JEDNAK TERMINOWĄ POMOC TECHNICZNĄ, JEŻELI BĘDZIE TO WYMAGANE. UŻYTKOWNIK ZOBOWIĄDUJE SIĘ DO KORZYSTANIA Z PRODUKTU ZGODNIE Z PRZEPISAMI I PRZYJMUJE DO WIADOMOŚCI, ŻE JEST ZOBOWIĄZANY DO ZAPEWNIENIA ZGODNOŚCI UŻYCIA PRODUKTU Z PRZEPISAMI. W SZCZEGÓLNOŚCI UŻYTKOWNIK JEST ZOBOWIĄZANY DO KORZYSTANIA Z PRODUKTU W SPOSÓB, KTÓRY

NIE NARUSZA PRAW STRON TRZECICH, DOTYCZĄCYCH NA PRZYKŁAD WIZERUNKU KOMERCYJNEGO, WŁASNOŚCI INTELEKTUALNEJ LUB OCHRONY DANYCH I PRYWATNOŚCI. UŻYTKOWNIK NIE BĘDZIE UŻYWAĆ PRODUKTU DO CELÓW ZABRONIONYCH, TAKICH JAK OPRACOWANIE LUB PRODUKCJA BRONI MASOWEGO RAŻENIA ALBO BRONI CHEMICZNEJ LUB BIOLOGICZNEJ ORAZ DZIAŁANIA ZWIĄZANE Z WYBUCHOWYMI MATERIAŁAMI NUKLEARNYMI, NIEBEZPIECZNYM NUKLEARNYM CYKLEM PALIWOWYM LUB ŁAMANIEM PRAW CZŁOWIEKA. W PRZYPADKU NIEZGODNOŚCI NINIEJSZEGO PODRĘCZNIKA Z OBOWIĄZUJĄCYM PRAWEM, WYŻSZY PRIORYTET BĘDZIE MIAŁO OBOWIĄZUJĄCE PRAWO.

#### Te klauzule dotyczą tylko produktów z odpowiednimi oznaczeniami lub etykietami.

#### Deklaracja zgodności z dyrektywami UE



Ten produkt i ewentualnie dostarczone razem z nim akcesoria oznaczono symbolem „CE” potwierdzającym zgodność z odpowiednimi ujednoczonymi normami europejskimi, uwzględnionymi w dyrektywie 2014/30/UE dotyczącej kompatybilności elektromagnetycznej (EMCD) i dyrektywie 2011/65/UE w sprawie ograniczenia stosowania niektórych niebezpiecznych substancji w sprzęcie elektrycznym (RoHS).

Uwaga: Produkty przystosowane do napięcia wejściowego 50 – 1000 V AC lub 75 – 1500 V DC są zgodne z dyrektywą 2014/35/EU (LVD), a pozostałe produkty są zgodne z dyrektywą 2001/95/EC (GPSD). Należy sprawdzić specyfikacje zasilania urządzenia.



Dyrektywa 2012/19/EU w sprawie zużytego sprzętu elektrycznego i elektronicznego (WEEE): Produktów oznaczonych tym symbolem nie wolno utylizować na obszarze Unii Europejskiej jako niesegregowane odpady komunalne. Aby zapewnić prawidłowy recykling tego produktu, należy zwrócić go do lokalnego dostawcy przy zakupie równoważnego nowego urządzenia lub utylizować go w wyznaczonym punkcie selektywnej zbiórki odpadów. Aby uzyskać więcej informacji, skorzystaj z następującej witryny internetowej: [www.recyclethis.info](http://www.recyclethis.info).



Dyrektywa 2006/66/EC w sprawie baterii i akumulatorów i zmieniająca ją dyrektywa 2013/56/EU: Ten produkt zawiera baterię, której nie wolno utylizować na obszarze Unii Europejskiej jako niesegregowane odpady komunalne. Szczegółowe informacje dotyczące baterii zamieszczono w dokumentacji produktu. Bateria jest oznaczona tym symbolem, który może także zawierać litery wskazujące na zawartość kadmu (Cd), ołowiu (Pb) lub rtęci (Hg). Aby zapewnić prawidłowy recykling baterii, należy zwrócić ją do dostawcy lub przekazać do wyznaczonego punktu zbiórki. Aby uzyskać więcej informacji, skorzystaj z następującej witryny internetowej: [www.recyclethis.info](http://www.recyclethis.info).

### Informacje bezpieczeństwa

Przed użyciem urządzenia należy przeczytać wszystkie zalecenia dotyczące bezpieczeństwa.

### Zasilanie elektryczne

- Produkt powinien być użytkowany zgodnie z rozporządzeniami dotyczącymi bezpiecznego korzystania z urządzeń elektrycznych, obowiązującymi w danym kraju lub regionie.
- Należy zapewnić tłumienie udarów elektrycznych przy otwarciu urządzenia w specjalnych warunkach, takich jak szczyt wzgórza, wieża z elementów stalowych lub las.
- PRZESTROGA: Jeżeli konieczna jest wymiana bezpieczników, należy używać bezpieczników tego samego typu i o takich samych parametrach znamionowych.

### Bateria



#### ● OSTRZEŻENIE

1. Nie wolno potykać baterii. Zagrożenie poparzeniem chemicznym!
  2. W tym produkcie wykorzystywana jest bateria pastylkowa. Połknięcie baterii pastylkowej może spowodować poważne oparzenie wewnętrzne już po dwóch godzinach i doprowadzić do zgonu.
  3. Nowe i zużyte baterie należy przechowywać w miejscu niedostępnym dla dzieci.
  4. Jeżeli zasobnik na baterie nie jest prawidłowo zamknięty, należy zrezygnować z użycia produktu i umieścić go w miejscu niedostępnym dla dzieci.
  5. Jeżeli można przypuszczać, że baterie zostały połknięte lub w inny sposób dostały się do wnętrza ciała, należy niezwłocznie skorzystać z porady/pomocy medycznej.
  6. PRZESTROGA: Zainstalowanie nieodpowiedniej baterii może spowodować wybuch.
  7. Zainstalowanie nieodpowiedniej baterii może spowodować zagrożenie (dotyczy to na przykład niektórych baterii litowych).
  8. Wrzucenie baterii do ognia lub rozgrzanego pieca albo zgniecenie lub przecięcie baterii może spowodować wybuch.
  9. Wysoka temperatura w otoczeniu może spowodować wybuch baterii albo wyciek palnej cieczy lub gazu.
  10. Ekstremalnie niskie ciśnienie powietrza w otoczeniu może spowodować wybuch baterii albo wyciek palnej cieczy lub gazu.
  11. Zużyte baterie należy utylizować zgodnie z instrukcjami.
- W przypadku baterii z oznaczeniami „+” i „-” symbol „+” oznacza dodatnie styki prądu stałego w urządzeniu, a symbol „-” oznacza ujemne styki prądu stałego w urządzeniu.



### Ochrona przeciwpożarowa

- Nie wolno umieszczać na urządzeniu źródeł nieosłoniętego płomienia, takich jak zapalone świece.

- Złącze szeregowo urządzenia jest używane wyłącznie do debugowania.
- Wyjście zasilania urządzenia nie jest zgodne z wymaganiami dotyczącymi źródeł zasilania z własnym ograniczeniem (LPS, Limited Power Source). Urządzenie korzystające z zasilania z tego złącza powinno być wyposażone w obudowę o zmniejszonej podatności na zapalenie.

### Zagrożenia związane z gorącymi elementami



- W przypadku urządzenia z naklejką  lub  należy uwzględnić następujące zalecenia: PRZESTROGA: Gorące podzespoły! Nie dotykać. Dotknięcie gorących podzespołów może spowodować oparzenie palców. Po wyłączeniu zasilania należy odczekać pół godziny przed dotknięciem podzespołów urządzenia. Podzespoły oznaczone tą etykietą mogą być gorące, dlatego należy obchodzić się z nimi ostrożnie. Urządzenia oznaczone tą etykietą są przeznaczone do instalacji w lokalizacjach dostępnych tylko dla personelu serwisowego lub użytkowników poinformowanych o celach ograniczenia dostępu do danej lokalizacji i stosowanych środkach ostrożności.

### Instalacja

- To urządzenie może być bezpiecznie użytkowane tylko na wysokości poniżej 2000 metrów nad poziomem morza.
- Urządzeń przeznaczonych do użytku profesjonalnego nie wolno instalować w lokalizacjach, w których mogą przebywać dzieci.
- Jeżeli konieczne jest zainstalowanie urządzenia na ścianie lub suficie, należy postępować zgodnie z zaleceniami podanymi w skróconym podręczniku użytkownika. Należy prawidłowo przymocować urządzenie do podłogi/ściany zgodnie z instrukcjami instalacyjnymi, aby zapobiec zranieniu.
- Nie wolno dotykać ostrych krawędzi lub narożników.
- PRZESTROGA: Jeżeli uchwyt jest przeznaczony do konkretnego modelu urządzenia naszej firmy, należy używać tego uchwytu tylko z tym urządzeniem. Użycie z innym urządzeniem może spowodować zranienie na skutek niestabilności urządzenia. Aby uzyskać więcej informacji, skorzystaj z karty katalogowej urządzenia.
- PRZESTROGA: Jeżeli urządzenie będzie instalowane na konkretnym uchwycie naszej firmy, należy używać tylko odpowiedniego uchwytu. Użycie innych uchwytów (takich jak wózki lub statywy) może spowodować zranienie na skutek niestabilności urządzenia. Aby uzyskać więcej informacji dotyczących modelu uchwytu, należy zapoznać się z danymi technicznymi urządzenia.

### Transport

- Podczas transportu urządzenie powinno być umieszczone w oryginalnym lub podobnym opakowaniu.

### Konserwacja

- Jeżeli produkt nie działa prawidłowo, skontaktuj się z dystrybutorem lub najbliższym centrum serwisowym. Producent nie ponosi odpowiedzialności za problemy spowodowane przez nieautoryzowane prace naprawcze lub konserwacyjne. Konieczna jest regularna wymiana kilku podzespołów urządzenia (np. kondensatora elektrolitycznego). Przeciętny okres użytkowania może być różny, dlatego zalecane jest regularne sprawdzanie stanu technicznego podzespołów. Aby uzyskać więcej informacji, należy skontaktować się z dystrybutorem.

### Czyszczenie



- Wewnętrzne i zewnętrzne elementy urządzenia należy czyścić miękką, suchą ściereczką. Nie wolno używać alkalicznych środków czyszczących.

#### Warunki otoczenia

- Należy upewnić się, że warunki otoczenia spełniają wymagania określone przez producenta urządzenia. NIE wolno umieszczać urządzenia w lokalizacjach, w których występują bardzo wysokie lub niskie temperatury, kurz, pył, wilgoć lub silne

promieniowanie elektromagnetyczne. Aby ustalić wymagania dotyczące temperatury i wilgotności, należy skorzystać z karty katalogowej urządzenia.

#### Poważne awarie

- Jeżeli urządzenie wydziela dym lub intensywny zapach albo emituje hałas, należy niezwłocznie wyłączyć zasilanie i odłączyć przewód zasilający, a następnie skontaktować się z centrum serwisowym.

## Română

#### Conformitatea cu reglementările și informații privind siguranța

Citiți cu atenție toate informațiile și instrucțiunile din acest document înainte de a utiliza dispozitivul și păstrați-l pentru referințe ulterioare.

Pentru mai multe informații și instrucțiuni despre dispozitiv, vă rugăm să vizitați site-ul nostru web la <https://www.hikvision.com>. De asemenea, puteți consulta alte documente (dacă există) care însoțesc dispozitivul sau puteți scana codul QR (dacă există) de pe ambalaj pentru a obține mai multe informații.

#### Declinare a responsabilității

ÎN MĂSURA MAXIMĂ PERMISĂ DE LEGISLAȚIA APLICABILĂ, ACEST MANUAL ȘI PRODUSUL DESCRIS, ÎMPREUNĂ CU HARDWARE-UL, SOFTWARE-UL ȘI FIRMWARE-UL SĂU, SUNT FURNIZATE „CA ATARE” ȘI „CU TOATE DEFECTELE ȘI ERORILE”. HIKVISION NU OFERĂ NICIO GARANȚIE, EXPRESĂ SAU IMPLICITĂ, INCLUSIV, DAR FĂRĂ A SE LIMITA LA, COMERCIALIZAREA, CALITATEA SATISFĂCĂTOARE SAU ADECVAREA LA UN ANUMIT SCOP. UTILIZAREA PRODUSULUI DE CĂTRE DVS. ESTE PE PROPRIU RISC. ÎN NICI UN CAZ HIKVISION NU VA FI RESPONSABIL FAȚĂ DE DVS. PENTRU ORICE DAUNE SPECIALE, CONSECVENTE, ACCIDENTALE SAU INDIRECTE, INCLUSIV, PRINTRE ALTELE, DAUNE PENTRU PIERDEREA PROFITURILOR DIN AFACERI, ÎNTRERUPEREA ACTIVITĂȚII SAU PIERDEREA DATELOR, CORUPȚIA SISTEMELOR SAU PIERDEREA DOCUMENTAȚIEI, FIE CĂ SE BAZEAZĂ PE ÎNCĂLCAREA CONTRACTULUI, DELICT (INCLUSIV NEGLIJENȚĂ), RĂSPUNDEREA PRODUSULUI SAU ÎN ALT MOD, ÎN LEGĂTURĂ CU UTILIZAREA PRODUSULUI, CHIAR DACĂ HIKVISION A FOST INFORMAT CU PRIVIRE LA POSIBILITATEA UNOR ASTFEL DE DAUNE SAU PIERDERI.

RECUNOAȘTEȚI CĂ NATURA INTERNETULUI IMPLICĂ RISCURI DE SECURITATE INERENTE, IAR HIKVISION NU ÎȘI ASUMĂ NICIO RESPONSABILITATE PENTRU FUNCȚIONAREA ANORMALĂ, SCURGEREA DE INFORMAȚII PRIVATE SAU ALTE DAUNE REZULTATE DIN ATACURI CIBERNETICE, ATACURI ALE HACKERILOR, INFECȚII CU VIRUȘI SAU ALTE RISCURI DE SECURITATE PE INTERNET; CU TOATE ACESTE, HIKVISION VA OFERI ASISTENȚĂ TEHNICĂ ÎN TIMP UTIL, DACĂ ESTE NECESAR.

SUNTEȚI DE ACORD SĂ UTILIZAȚI ACEST PRODUS ÎN CONFORMITATE CU TOATE LEGILE APLICABILE ȘI SUNTEȚI SINGURUL RESPONSABIL PENTRU A VĂ ASIGURA CĂ UTILIZAREA DVS. ESTE ÎN CONFORMITATE CU LEGISLAȚIA APLICABILĂ. ÎN SPECIAL, SUNTEȚI RESPONSABIL, PENTRU UTILIZAREA ACESTUI PRODUS ÎNTR-UN MOD CARE NU ÎNCALCĂ DREPTURILE TERȚILOR, INCLUSIV, FĂRĂ LIMITARE, DREPTURILE DE PUBLICITATE, DREPTURILE DE PROPRIETATE INTELECTUALĂ SAU PROTECȚIA DATELOR ȘI ALTE DREPTURI DE CONFIDENȚIALITATE. NU VEȚI UTILIZA ACEST PRODUS PENTRU UTILIZĂRI FINALE INTERZISE, INCLUSIV PENTRU DEZVOLTAREA SAU PRODUCEREA DE ARME DE DISTRUGERE ÎN MASĂ, DEZVOLTAREA SAU PRODUCEREA DE ARME CHIMICE SAU BIOLOGICE, ORICE ACTIVITĂȚI ÎN CONTEXTUL

ORICĂRUI CICLU NUCLEAR EXPLOZIV SAU NESIGUR AL COMBUSTIBILULUI NUCLEAR SAU ÎN SPRIJINUL OAMENILOR ABUZURI DE DREPTURI.

ÎN CAZUL UNOR CONFLICTE ÎNTRE ACEST MANUAL ȘI LEGEA APLICABILĂ, ACESTA DIN URMĂ PREVALEAZĂ.

#### Aceste clauze se aplică numai produselor care poartă marca sau informațiile corespunzătoare.

#### Declarație de conformitate UE



Acest produs și - dacă este cazul - și accesoriile furnizate sunt marcate cu "CE" și, prin urmare, sunt conforme cu standardele europene armonizate

aplicabile enumerate în Directiva 2014/30/UE (EMCD) și Directiva 2011/65/UE (RoHS).

Notă: Produsele cu o tensiune de intrare cuprinsă între 50 și 1000 V c.a. sau 75 și 1500 V c.c. sunt conforme cu Directiva 2014/35/UE (LVD), iar restul produselor sunt conforme cu Directiva 2001/95/CE (GPSD). Verificați informațiile specifice privind sursa de alimentare pentru referință.



Directiva 2012/19/UE (directiva DEEE): Produsele marcate cu acest simbol nu pot fi eliminate ca deșeuri municipale nesortate în Uniunea Europeană. Pentru o reciclare adecvată, returnați acest produs furnizorului

local la achiziționarea unui echipament nou echivalent sau predați-l într-unul dintre punctele de colectare desemnate. Pentru mai multe informații vezi: [www.recyclethis.info](http://www.recyclethis.info).



Directiva 2006/66/CE și modificarea acesteia 2013/56/UE (directiva privind bateriile): Acest produs conține o baterie care nu poate fi eliminată ca deșeu municipal nesortat în Uniunea Europeană. Consultați

documentația produsului pentru informații specifice despre baterie. Bateria este marcată cu acest simbol, care poate include litere pentru a indica cadmiul (Cd), plumbul (Pb) sau mercurul (Hg). Pentru o reciclare corectă, returnați bateria furnizorului dvs. sau la un punct de colectare desemnat. Pentru mai multe informații vezi: [www.recyclethis.info](http://www.recyclethis.info).

#### Informații privind siguranța

Vă rugăm să citiți cu atenție toate informațiile de siguranță înainte de utilizare.

#### Electricitate

- La utilizarea produsului, trebuie să respectați cu strictețe reglementările de siguranță electrică naționale și regionale.
- Plasați un limitator de suprasarcină în oficiul de intrare al dispozitivului în condiții speciale, de exemplu în vârful muntelui, într-un turn de fier și în pădure.

- **ATENȚIE:** Dacă siguranța dispozitivului poate fi înlocuită, înlocuiți-o numai cu o siguranță de același tip și din aceeași clasă pentru a reduce riscul de incendiu sau de electrocutare.

## Baterie




### ● AVERTISMENT

1. Nu ingerați bateria. Pericol de arsuri chimice!
  2. Acest produs conține o baterie cu celulele primare tip buton sau monedă. Dacă bateria cu monedă/buton este înghițită, aceasta poate provoca arsuri interne grave în doar 2 ore și poate duce la deces.
  3. Păstrați bateriile noi și cele folosite departe de copii.
  4. Dacă compartimentul pentru baterii nu se închide bine, nu mai utilizați produsul și țineți-l departe de copii.
  5. Dacă bănuți că bateriile au fost ingerate sau introduse în interiorul oricărei părți a corpului, solicitați imediat asistență medicală.
  6. **ATENȚIE:** Risc de explozie dacă bateria este înlocuită cu una de tip incorect.
  7. Înlocuirea necorespunzătoare a bateriei cu un tip incorect poate anula o protecție (de exemplu, în cazul unor tipuri de baterii cu litiu).
  8. Nu aruncați bateria în foc sau într-un cuptor încins și nici nu zdrobiți sau tăiați mecanic bateria, deoarece aceasta poate provoca o explozie.
  9. Nu lăsați bateria într-un mediu înconjurător cu temperaturi extrem de ridicate, ceea ce poate duce la o explozie sau la scurgerea de lichid sau gaz inflamabil.
  10. Nu supuneți bateria la o presiune extrem de scăzută a aerului, care poate duce la o explozie sau la scurgerea de lichid sau gaz inflamabil.
  11. Aruncați bateriile uzate în conformitate cu instrucțiunile.
- În cazul bateriilor cu simbolurile „+” și „-”, „+” identifică terminalele pozitive ale dispozitivului care este utilizat cu sau care generează curent continuu, iar „-” identifică terminalele negative ale dispozitivului care este utilizat cu sau care generează curent continuu.

## Prevenire incendiu

- Nu trebuie plasate pe echipament surse de flacără goală, cum ar fi lumânările aprinse.
- Portul serial al echipamentului este utilizat doar pentru depanare.
- Portul de putere de ieșire nu este compatibil cu sursa de alimentare limitată. Dispozitivul care este alimentat prin acest port trebuie să fie echipat cu o carcasă ignifugată.

## Prevenirea Suprafețelor Fierbinți

- În cazul dispozitivelor care prezintă autocolantul  sau



, acordați atenție următoarelor avertismente:

**ATENȚIE:** Componente fierbinți! Nu atingeți. Degete arse la manipularea pieselor. Așteptați o jumătate de oră după deconectare înainte de a manipula piesele.

Acest autocolant indică faptul că articolele marcate pot fi fierbinți și nu trebuie atinse fără precauție. Dacă dispozitivul are

acest autocolant, înseamnă că dispozitivul este destinat instalării într-o locație cu acces restricționat, accesul poate fi obținut numai de către personalul de service sau de către utilizatorii care au fost informați cu privire la motivele restricțiilor aplicate locației și orice măsuri de precauție care trebuie luate.

## Instalare

- Acest dispozitiv poate fi utilizat în siguranță numai la altitudini mai mici de 2000 de metri.
- Nu instalați dispozitive pentru uz profesional în locurile unde este posibil să aibă acces copiii.
- Dacă dispozitivul trebuie instalat pe perete sau plafon, instalați-l în conformitate cu instrucțiunile din Ghidul rapid de utilizare. fixați dispozitivul în mod corect pe podea/perete conform instrucțiunilor de instalare, pentru a preveni vătămarea.
- Nu atingeți marginile și nici colțurile ascuțite.
- **ATENȚIE:** Dacă suportul este proiectat pentru un anumit model de dispozitiv de la compania noastră, utilizați suportul numai cu dispozitivul respectiv. Utilizarea cu alte dispozitive poate duce la instabilitate și cauza rănirea. Pentru detalii, consultați fișa tehnică a dispozitivului.
- **ATENȚIE:** Dacă dispozitivul trebuie instalat cu un anumit suport de la compania noastră, utilizați doar suportul respectiv. Utilizarea altor suporturi (precum cărucioare, console și alte suporturi) poate duce la instabilitate și cauza rănirea. Consultați fișa cu date a dispozitivului pentru detalii privind modelul de suport.

## Transport

- Păstrați dispozitivul în ambalajul original sau similar în timpul transportului.

## Întreținere

- În cazul în care produsul nu funcționează corect, vă rugăm să contactați dealerul sau cel mai apropiat centru de service. Nu ne asumăm nicio responsabilitate pentru problemele cauzate de reparații sau întreținere neautorizate. Câteva componente ale dispozitivului (de exemplu, condensator electrolitic) necesită înlocuirea regulată. Durata medie de viață variază, deci se recomandă verificarea periodică. Contactați distribuitorul pentru detalii.

## Curățarea

- Utilizați o cârpă moale și uscată, atunci când curățați suprafețele interioare și exterioare ale capacului produsului. Nu utilizați detergenți alcalini.

## Utilizarea mediului

- Asigurați-vă că mediul de funcționare îndeplinește cerințele dispozitivului. NU amplasați dispozitivul în locații cu temperaturi extrem de ridicate, extrem de scăzute, cu praf sau umede, și nu o expuneți la radiații electromagnetice puternice. Pentru cerințele privind temperatura și umiditatea, consultați specificațiile dispozitivului pentru detalii.

## Urgență

- Dacă de la dispozitiv apar fum, miros sau zgomot, opriți imediat alimentarea, deconectați cablul de alimentare și contactați centrul de service.

**Súlád s regulačnými predpismi a bezpečnostné informácie**

Pred použitím zariadenia si pozorne prečítajte všetky informácie a pokyny v tomto dokumente a uschovajte si ho na ďalšie použitie. Ďalšie informácie o zariadení a pokyny nájdete na našej webovej stránke <https://www.hikvision.com>. Ďalšie informácie získate aj z iných dokumentov (ak existujú) priložených k zariadeniu alebo naskenovaním kódu QR (ak existuje) na obale.

**Odmietnutie zodpovednosti**

V MAXIMÁLNO M MOŽNOM ROZSAHU, KTORÝ POVOĽUJÚ PRÍSLUŠNÉ PRÁVNE PREDPISY, SA TÁTO PRÍRUČKA A OPÍSANÝ PRODUKT SPOLU S JEHO HARDVÉROM, SOFTVÉROM A FIRMVÉROM, DODÁVAJÚ V STAVE „AKO SÚ“ A „SO VŠETKÝMI PORUCHAMI A CHYBAMI“. SPOLOČNOSŤ HIKVISION NEPOSKYTUJE ŽIADNE VÝSLOVNÉ ANI PREDPOKLADANÉ ZÁRUKY, OKREM INÉHO VRÁTANE ZÁRUKY PREDAJNOSTI, USPOKOJIVEJ KVALITY ALEBO VHODNOSTI NA KONKRÉTNY ÚČEL. POUŽÍVANIE PRODUKTU JE NA VAŠE VLASTNÉ RIZIKO. SPOLOČNOSŤ HIKVISION V ŽIADNOM PRÍPADE NENESIE ZODPOVEDNOSŤ ZA ŽIADNE OSOBITNÉ, NÁSLEDNÉ, NÁHODNÉ ALEBO NEPRIAME ŠKODY, OKREM INÉHO VRÁTANE ŠKÔD Z UŠLÉHO PODNIKATEĽSKÉHO ZISKU, PRERUŠENIA PODNIKANIA, STRATY ÚDAJOV, POŠKODENIA SYSTÉMOV ALEBO STRATY DOKUMENTÁCIE, ČI UŽ NA ZÁKLADE PORUŠENIA ZMLUVY, PREČINU (VRÁTANE NEDBALOSTI), ZODPOVEDNOSTI ZA PRODUKT ALEBO INAK V SÚVISLOSTI S POUŽÍVANÍM PRODUKTU, A TO ANI V PRÍPADE, AK BOLA SPOLOČNOSŤ HIKVISION UPOZORNENÁ NA MOŽNOSŤ TAKÝCHTO ŠKÔD.

UZNÁVATE, ŽE POVAHA INTERNETU UMOŽŇUJE INHERENTNÉ BEZPEČNOSTNÉ RIZIKÁ A SPOLOČNOSŤ HIKVISION NENESIE ŽIADNU ZODPOVEDNOSŤ ZA NEŠTANDARDNÚ PREVÁDZKU, ÚNIK OSOBNÝCH ÚDAJOV ANI ZA INÉ ŠKODY V DÔSLEDKU KYBERNETICKÉHO ÚTOKU, HAKERSKÉHO ÚTOKU, VÍRUSOVEJ INFEKČIE ALEBO INÝCH BEZPEČNOSTNÝCH RIZÍK SIETE INTERNET; V PRÍPADE POTREBY VŠAK SPOLOČNOSŤ HIKVISION POSKYTNE VČASNÚ TECHNICKÚ PODPORU.

SÚHLASÍTE S POUŽÍVANÍM TOHTO PRODUKTU V SÚLADE SO VŠETKÝMI PRÍSLUŠNÝMI ZÁKONMI A NESIETE VÝHRADNÚ ZODPOVEDNOSŤ ZA ZABEZPEČENIE, ABY VAŠE POUŽÍVANIE BOLO V SÚLADE S PRÍSLUŠNÝMI ZÁKONMI. STE OBZVLÁŠŤ ZODPOVEDNÍ ZA POUŽÍVANIE TOHTO PRODUKTU SPÔSOBOM, KTORÝ NEPORUŠUJE PRÁVA TRETÍCH STRÁN, OKREM INÉHO PRÁVA PUBLICITY, PRÁVA DUŠEVNÉHO VLASTNÍCTVA, PRÁVA NA OCHRANU ÚDAJOV A INÉ PRÁVA NA OCHRANU SÚKROMIA. TENTO PRODUKT NESMIETE POUŽÍVAŤ NA ŽIADNE ZAKÁZANÉ ÚČELY VRÁTANE VÝVOJA ALEBO VÝROBY ZBRANÍ HROMADNÉHO NIČENIA, VÝVOJA ALEBO VÝROBY CHEMICKÝCH ALEBO BIOLOGICKÝCH ZBRANÍ, AKÝCHKOĽVEK AKTIVÍ V SÚVISLOSTI S AKOUKOĽVEK JADROVOU VÝBUŠNINOU ALEBO NEBEZPEČNÝM CYKLOM JADROVÉHO PALIVA, ALEBO NA PODPORU ZNEUŽÍVANIA ĽUDSKÝCH PRÁV.

V PRÍPADE AKÉHOKOĽVEK NESÚLADU MEDZI TOUTO PRÍRUČKOU A PRÍSLUŠNÝMI PRÁVNÝMI PREDPISMI MAJÚ PREDNOSŤ PRÍSLUŠNÉ PRÁVNE PREDPISY.

**Tieto ustanovenia platia len pre produkty s príslušným označením alebo údajom.****Vyhlasenie o zhode s predpismi EÚ**

Tento produkt a dodané príslušenstvo, ak je to relevantné, sú takisto označené značkou „CE“, takže sú v súlade s príslušnými harmonizovanými európskymi normami uvedenými v smernici 2014/30/EÚ (EMCD) a smernici 2011/65/EÚ (RoHS).

Poznámka: Produkty so vstupným napätím v rozsahu 50 až 1000 V striedavého prúdu alebo 75 až 1500 V jednosmerného prúdu sú v súlade so smernicou 2014/35/EÚ (LVD) a ostatné produkty sú v súlade so smernicou 2001/95/EC (GPSD). Pozrite si informácie o konkrétnom zdroji napájania.



Smernica 2012/19/EÚ (smernica o odpade z elektrických a elektronických zariadení): Produkty označené týmto symbolom sa v rámci Európskej únie nesmú likvidovať spolu s netriedeným komunálnym odpadom. Po zakúpení ekvivalentného nového zariadenia zrecyklujte produkt tým, že ho odovzdáte miestnemu dodávateľovi alebo ho zlikvidujete na určených zberných miestach. Ďalšie informácie nájdete na lokalite: [www.recyclethis.info](http://www.recyclethis.info).



Smernica 2006/66/ES a príslušné doplnenia 2013/56/EÚ (smernica o batériách): Tento produkt obsahuje batériu, ktorá sa v rámci Európskej únie nesmie likvidovať spolu s netriedeným komunálnym odpadom. Konkrétne informácie o batérii nájdete v dokumentácii produktu. Batéria je označená týmto symbolom, ktorý môže obsahovať písmená označujúce obsah kadmia (Cd), olova (Pb) alebo ortuti (Hg). Zrecyklujte batériu tým, že ju odovzdáte dodávateľovi alebo ju zlikvidujete na určenom zbernom mieste. Ďalšie informácie nájdete na lokalite: [www.recyclethis.info](http://www.recyclethis.info).


**Bezpečnostné informácie**

Pred použitím si pozorne prečítajte všetky bezpečnostné informácie.

**Elektrické požiadavky**

- Pri používaní produktu je potrebné, aby ste dôsledne dodržiavali elektroinštalčné bezpečnostné predpisy platné na celoštátnej a regionálnej úrovni.
- V nezvyčajných podmienkach, napríklad na vrchole hory, na kovovej veži alebo v lese, zabezpečte vstupný otvor zariadenia ochranou proti prepätiu.
- VÝSTRAHA: Ak je možné vymeniť poistku zariadenia, vymeňte ju len za poistku rovnakého typu a s rovnakými menovitými parametrami, aby ste znížili riziko požiaru alebo úrazu elektrickým prúdom.

**Batéria**



-  VÝSTRAHA
  1. Zabráňte prehltnutiu batérie. Nebezpečenstvo chemických popálenín!
  2. Tento produkt obsahuje plochú/gombíkovú batériu. V prípade prehltnutia plochej/gombíkovej batérie môže dôjsť k vážnym vnútorným popáleninám už v priebehu 2 hodín, ktoré môžu spôsobiť smrť.
  3. Nové a použité batérie uchovajte mimo dosahu detí.
  4. Ak sa priečinok batérie nedá bezpečne zavrieť, prestaňte produkt používať a uchovajte ho mimo dosahu detí.

5. Ak si myslíte, že mohlo dôjsť k prehltnutiu batérií alebo ich vloženiu do akejkoľvek časti tela, okamžite vyhľadajte lekársku pomoc.
  6. **VÝSTRAHA:** Riziko výbuchu v prípade výmeny batérie za nesprávny typ.
  7. Pri nevhodnej výmene batérie za nesprávny typ sa môže deaktivovať bezpečnostný prvok (napríklad pri niektorých typoch lítiových batérií).
  8. Batériu nekladajte do ohňa alebo horúcej rúry ani ju mechanicky nedrhte ani nerezte, pretože by to mohlo spôsobiť výbuch.
  9. Batériu nenechávajte v prostredí s mimoriadne vysokou teplotou, čo môže viesť k výbuchu alebo úniku horľavých kvapalín alebo plynov.
  10. Batériu nevystavujte mimoriadne nízkemu tlaku vzduchu, čo môže viesť k výbuchu alebo úniku horľavých kvapalín alebo plynov.
  11. Použité batérie zlikvidujte podľa príslušných pokynov.
- V prípade batéria so značkami + a -: + označuje kladné póly zariadenia, ktoré sa používa s jednosmerným prúdom alebo generuje jednosmerný prúd, a - označuje záporné póly zariadenia, ktoré sa používa s jednosmerným prúdom alebo generuje jednosmerný prúd.

#### Predchádzanie požiarom

- Na zariadenie sa nesmú umiestňovať žiadne zdroje otvoreného ohňa, napríklad zapálené sviečky.
- Sériový port na zariadení slúži len na servisné účely.
- Výstupný port napájania zariadenia nespĺňa podmienky normy veľmi nízkeho napätia. Zariadenie, ktoré je napájané týmto portom, musí byť vybavené ohňovzdorným krytom.

#### Prevenia pred horúcimi povrchmi

- V prípade zariadenia s nálepkou  alebo  venujte pozornosť nasledujúcim výstrahám: **VÝSTRAHA:** Horúce súčasti! Nedotýkať sa. Pri manipulácii so súčastami si môžete popáliť prsty. Pred manipuláciou s jednotlivými časťami zariadenie vypnite a počkajte pol hodiny. Táto nálepka indikuje, že označená položka môže byť horúca a mali by ste sa jej dotýkať opatrne. Zariadenie s touto nálepkou je určené na inštaláciu na mieste s obmedzeným prístupom, prístup je možné udeliť len zamestnancom servisu alebo používateľom, ktorí boli poučení o dôvodoch obmedzenia prístupu na dané miesto a o všetkých bezpečnostných opatreniach, ktoré musia dodržať.

#### Inštalácia

- Toto zariadenie sa môže bezpečne používať iba v oblastiach s nadmorskou výškou nižšou ako 2000 metrov.
- Zariadenia na profesionálne použitie neinštalujte na miestach, kde sa môžu vyskytovať deti.
- Ak je potrebné zariadenie nainštalovať na stenu alebo strop, nainštalujte zariadenie podľa pokynov v stručnej úvodnej príručke. Zariadenie správne pripevnite k podlahe/stene v súlade s pokynmi na inštaláciu, aby ste predišli zraneniu.
- Nedotýkajte sa ostrých hrán ani rohov.
- **VÝSTRAHA:** Ak je daná konzola určená pre špecifický model zariadenia od našej spoločnosti, použite na tejto konzole len zodpovedajúce zariadenie. Použitím iných zariadení sa dané zariadenie môže stať nestabilným a spôsobiť zranenie. Podrobnosti nájdete v hárku s údajmi zariadenia.
- **VÝSTRAHA:** Ak je potrebné inštalovať dané zariadenie pomocou špecifickej konzoly od našej spoločnosti, použite len túto zodpovedajúcu konzolu. Použitím niečoho iného (napríklad vozíkov, stojanov a držiakov) sa zariadenie môže stať nestabilným a spôsobiť zranenie. Podrobnosti o modeli konzoly nájdete v hárku s údajmi.

#### Preprava

- Pri preprave ponechajte zariadenie v pôvodnom alebo podobnom balení.

#### Údržba

- Ak produkt nepracuje správne, obráťte sa na predajcu alebo na najbližšie servisné stredisko. Nepreberáme žiadnu zodpovednosť za problémy spôsobené neoprávnenou opravou alebo údržbou. Niekoľko komponentov zariadenia (napr. elektrolytický kondenzátor) si vyžaduje pravidelnú výmenu. Priemerná doba životnosti sa líši, preto odporúčame pravidelnú kontrolu. So žiadosťou o ďalšie podrobnosti sa obráťte na predajcu.

#### Čistenie

- Pri čistení vnútorných a vonkajších povrchov krytu zariadenia používajte jemnú a suchú handričku. Nepoužívajte alkalické saponáty.

#### Prevádzkové prostredie

- Zabezpečte, aby prevádzkové prostredie spĺňalo požiadavky zariadenia. NEUMIESTŇUJTE zariadenie na extrémne horúce, chladné, prašné alebo vlhké miesta a nevystavujte ho silnému elektromagnetickému žiareniu. Podrobné informácie o požiadavkách na teplotu a vlhkosť nájdete v špecifikácii zariadenia.

#### Núdzový režim

- Ak zo zariadenia vychádza dym, zápach alebo hluk, ihneď vypnite napájanie, odpojte napájací kábel a obráťte sa na servisné stredisko.

## Bahasa Indonesia

#### Kepatuhan terhadap Peraturan dan Informasi Keselamatan

Baca semua informasi dan petunjuk dalam dokumen ini secara cermat sebelum menggunakan perangkat dan simpan jika sewaktu-waktu dibutuhkan.

Untuk informasi dan petunjuk lain tentang perangkat, kunjungi situs web kami di <https://www.hikvision.com>. Lihat dokumen lain (jika ada) yang menyertai perangkat atau pindai kode QR (jika ada) pada kemasan untuk memperoleh informasi lain.

#### Penafian

SEPANJANG DIPERBOLEHKAN OLEH PERATURAN YANG BERLAKU, MANUAL INI DAN PRODUK YANG DIJELASKAN, BESERTA PERANGKAT KERAS, PERANGKAT LUNAK, DAN FIRMWARE,

DISEDIAKAN "SEPERTI ADANYA" DAN "DENGAN SEMUA CACAT DAN KESALAHAN". HIKVISION TIDAK MEMBERIKAN JAMINAN TERSURAT ATAUPUN TERSIRAT, TERMASUK TIDAK TERBATAS PADA, JAMINAN KOMERSIAL, KUALITAS MEMUASKAN, ATAUPUN KECOCOKAN UNTUK TUJUAN TERTENTU. PENGGUNAAN PRODUK OLEH ANDA ADALAH ATAS RISIKO ANDA SENDIRI. DALAM SEGALA HAL, HIKVISION TIDAK BERTANGGUNG JAWAB KEPADA ANDA ATAS KERUSAKAN KHUSUS, IKUTAN, INSIDENTIL, ATAU TIDAK LANGSUNG, TERMASUK, ANTARA LAIN, KERUGIAN AKIBAT HILANGNYA LABA USAHA, TERGANGGUNYA USAHA, ATAU HILANGNYA DATA, KERUSAKAN SISTEM, ATAU HILANGNYA DOKUMEN, BAIK BERDASARKAN PELANGGARAN ATAS KONTRAK,

TINDAKAN MELAWAN HUKUM (TERMASUK KELALAIAN), KEWAJIBAN PRODUK, ATAU LAINNYA, TERKAIT PENGGUNAAN PERANGKAT LUNAK, MESKIPUN HIKVISION SUDAH DIBERITAHU ADANYA POTENSI KERUSAKAN ATAU KERUGIAN SEMACAM ITU. ANDA MENGAKUI BAHWA SIFAT INTERNET MENGHADIRKAN RISIKO KEAMANAN TIDAK TERLIHAT, DAN HIKVISION TIDAK BERTANGGUNG JAWAB ATAS ABNORMALITAS PENGOPERASIAN, KEBOCORAN PRIVASI, ATAU KERUSAKAN LAIN AKIBAT SERANGAN SIBER, SERANGAN PERETAS, INFEKSI VIRUS, DAN RISIKO KEAMANAN INTERNET LAINNYA; AKAN TETAPI, HIKVISION AKAN MENYEDIAKAN DUKUNGAN TEKNIS SECARA BERKALA JIKA DIBUTUHKAN.

ANDA SETUJU UNTUK MENGGUNAKAN PRODUK INI DENGAN MEMATUHI SEMUA PERATURAN YANG BERLAKU DAN ANDA SECARA PRIBADI BERTANGGUNG JAWAB MEMASTIKAN PENGGUNAAN OLEH ANDA MEMATUHI PERATURAN YANG BERLAKU. SECARA KHUSUS, ANDA BERTANGGUNG JAWAB MENGGUNAKAN PRODUK DENGAN CARA YANG TIDAK MELANGGAR HAK-HAK PIHAK KETIGA, TERMASUK TANPA BATASAN PADA, HAK PUBLISITAS, HAK KEKAYAAN INTELEKTUAL, ATAU PERLINDUNGAN DATA DAN HAK PRIVASI LAINNYA. ANDA DILARANG MENGGUNAKAN PRODUK UNTUK PENGGUNAAN AKHIR YANG DILARANG, TERMASUK PENGEMBANGAN ATAU PRODUKSI SENJATA PEMUSNAH MASSAL, PENGEMBANGAN ATAU PRODUKSI SENJATA KIMIA ATAU BIOLOGIS, AKTIVITAS YANG BERHUBUNGAN DENGAN BAHAN PELEDAK NUKLIR ATAU DAUR BAHAN BAKAR NUKLIR SECARA TIDAK AMAN ATAU UNTUK MENDUKUNG PELANGGARAN HAK ASASI MANUSIA. JIKA TERJADI PERTENTANGAN ANTARA MANUAL INI DAN PERATURAN YANG BERLAKU, YANG DISEBUT TERAKHIR DIPRIORITASKAN.

---

**Klausul ini hanya berlaku untuk produk yang memuat tanda atau informasi yang sesuai.**

---

#### Pernyataan Kepatuhan UE



Produk ini dan, jika berlaku, juga aksesori yang disediakan mencantumkan tanda "CE" dan oleh karena itu mematuhi standar Eropa yang

diharmonisasi dan berlaku berdasarkan Direktif 2014/30/UE (EMCD) dan Direktif 2011/65/UE (RoHS).

Catatan: Produk dengan voltase masukan dalam rentang 50 hingga 1000 VAC atau 75 hingga 1500 VDC mematuhi Direktif 2014/35/UE (LVD), sementara produk lainnya mematuhi Direktif 2001/95/EC (GPSD). Harap memeriksa informasi catu daya spesifik sebagai referensi.



Direktif 2012/19/UE (WEEE Directive): Produk yang bertanda simbol ini tidak boleh dibuang sebagai sampah umum yang tidak disortir di wilayah Uni Eropa. Agar dapat didaur ulang sesuai ketentuan,

kembalikan produk ini ke toko terdekat saat Anda membeli peralatan pengganti yang baru, atau buang pada titik pengumpulan yang ditentukan. Untuk informasi lebih lengkap, kunjungi: [www.recyclethis.info](http://www.recyclethis.info).



Direktif 2006/66/EC dan amendemennya 2013/56/EU (direktif baterai): Produk ini berisi baterai yang tidak boleh dibuang sebagai sampah umum yang tidak disortir di wilayah Uni Eropa. Lihat dokumentasi

produk untuk informasi spesifik tentang baterai. Baterai ini ditandai dengan simbol ini, yang mungkin disertai huruf untuk

menandakan kadmium (Cd), timbal (Pb), atau merkuri (Hg). Agar dapat didaur ulang sesuai ketentuan, kembalikan baterai ke toko atau titik pengumpulan yang ditentukan. Untuk informasi lebih lengkap, kunjungi: [www.recyclethis.info](http://www.recyclethis.info).

#### Informasi Keselamatan

Baca semua informasi keselamatan dengan teliti sebelum menggunakan perangkat.

#### Kelistrikan

- Selama menggunakan produk ini, Anda harus sepenuhnya mematuhi peraturan keselamatan kelistrikan dari pemerintah.
- Sediakan penekan lonjakan pada bukaan inlet perangkat dalam kondisi khusus, seperti puncak gunung, menara besi, dan hutan.
- PERHATIAN: Ganti sekring perangkat, jika dapat diganti, dengan sekring bertipe dan rating yang sama untuk mengurangi risiko kebakaran atau tersengat listrik.

#### Baterai






#### PERINGATAN

1. Jangan menelan baterai. Bahaya Luka Bakar Kimia!
  2. Produk ini menggunakan baterai sel berbentuk koin/kancing. Baterai sel koin/kancing, jika tertelan, dapat menyebabkan luka bakar internal serius hanya dalam waktu 2 jam dan dapat mengakibatkan kematian.
  3. Simpan baterai baru dan bekas jauh dari jangkauan anak-anak.
  4. Jika kompartemen baterai tidak dapat ditutup sempurna, hentikan penggunaan produk dan jauhkan dari jangkauan anak-anak.
  5. Jika Anda curiga baterai telah tertelan atau memasuki bagian tubuh mana pun, segera hubungi dokter.
  6. PERHATIAN: Risiko ledakan jika baterai diganti dengan jenis yang salah.
  7. Penggantian baterai yang tidak tepat dengan baterai dari jenis yang salah dapat memengaruhi keamanan (misalnya, untuk beberapa jenis baterai litium).
  8. Jangan membuang baterai ke dalam api atau oven panas, atau menghancurkan atau memotongnya secara mekanis, karena dapat menyebabkan ledakan.
  9. Jangan meletakkan baterai di lingkungan yang bersuhu sangat tinggi, karena dapat menyebabkan ledakan atau kebocoran cairan atau gas yang mudah terbakar.
  10. Jangan membiarkan baterai terpapar tekanan udara yang sangat rendah, karena dapat menyebabkan ledakan atau kebocoran cairan atau gas yang mudah terbakar.
  11. Buang baterai bekas sesuai petunjuk.
- Untuk baterai dengan tanda + dan -, tanda + menunjukkan terminal positif pada perangkat yang digunakan dengan atau menghasilkan arus searah, sementara tanda - menunjukkan terminal negatif pada perangkat yang digunakan dengan atau menghasilkan arus searah.

#### Pencegahan Kebakaran

- Jangan menempatkan sumber nyala terbuka, misalnya lilin, di atas peralatan.
- Gunakan port seri peralatan untuk debugging saja.
- Port output daya perangkat tidak sesuai dengan Sumber Daya Terbatas (*Limited Power Source*). Perangkat yang dialiri daya melalui port ini harus dilengkapi dengan selubung tahan api.

#### Pencegahan Permukaan Panas

- Untuk perangkat yang memuat stiker  atau  atau , perhatikan hal-hal berikut ini:



PERHATIAN: Komponen panas! Jangan sentuh. Jari terbakar saat menangani komponen. Tunggu satu setengah jam setelah peralatan dimatikan sebelum menangani komponen. Stiker ini untuk mengindikasikan bahwa item yang ditandai bisa menjadi panas dan tidak boleh disentuh tanpa waktu pendinginan. Untuk perangkat dengan stiker ini, perangkat ini dimaksudkan untuk pemasangan di lokasi dengan akses terbatas, akses hanya dapat dicapai oleh petugas layanan atau oleh pengguna yang telah diberitahu tentang alasan penerapan pembatasan terhadap lokasi dan tentang segala tindakan pencegahan yang harus diambil.

**Pemasangan**

- Perangkat ini hanya dapat digunakan secara aman pada kawasan berketinggian kurang dari 2.000 meter di atas permukaan laut.
- Jangan memasang perangkat untuk penggunaan profesional di lokasi yang sering dilalui oleh anak-anak.
- Jika perangkat harus dipasang di dinding atau plafon, pasang perangkat sesuai dengan petunjuk dalam Panduan Mulai Cepat. Pasang perangkat ke lantai/dinding dengan benar sesuai dengan petunjuk pemasangan guna mencegah cedera.
- Jangan menyentuh tepi atau sudut tajam.
- PERHATIAN: Jika braket dirancang khusus untuk model perangkat tertentu dari perusahaan kami, hanya gunakan braket dengan perangkat yang sesuai. Penggunaan dengan perangkat lain dapat menyebabkan ketidakstabilan dan menyebabkan cedera. Lihat lembar data perangkat untuk info lebih lengkap.
- PERHATIAN: Jika perangkat harus dipasang dengan braket khusus dari perusahaan kami, hanya gunakan braket yang sesuai.

Penggunaan peralatan lain (seperti *cart*, *stand*, dan *carrier*) dapat mengakibatkan ketidakstabilan dan menyebabkan cedera. Lihat lembar data perangkat untuk detail lebih lanjut tentang model braket.

**Transportasi**

- Kemasan perangkat dalam kemasan aslinya atau yang serupa saat memindahkannya.

**Pemeliharaan**

- Jika produk tidak berfungsi dengan baik, hubungi dealer atau pusat servis terdekat. Kami tidak bertanggung jawab atas masalah yang disebabkan oleh perbaikan atau perawatan yang tidak resmi. Beberapa komponen perangkat (mis., kapasitor elektrolitik) harus diganti secara rutin. Masa pakai rata-rata bervariasi, jadi disarankan melakukan pemeriksaan periodik. Hubungi dealer Anda untuk informasi selengkapnya.

**Pembersihan**

- Gunakan kain yang lembut dan kering saat membersihkan permukaan bagian dalam dan luar dari penutup produk. Dilarang menggunakan detergen alkalin.

**Lingkungan Penggunaan**

- Pastikan lingkungan tempat beroperasi memenuhi ketentuan perangkat. JANGAN menempatkan perangkat di lokasi yang sangat panas, dingin, berdebu, atau lembap, dan jangan paparkan terhadap radiasi elektromagnetik tinggi. Untuk detail persyaratan suhu dan kelembapan, lihat spesifikasi perangkat.

**Darurat**

- Jika muncul asap, bau, atau derau dari perangkat, segera matikan perangkat, cabut kabel daya, lalu hubungi pusat servis.

**စည်းမျဉ်းစည်းကမ်း လိုက်နာရန်နှင့် ဘေးကင်းရေး အချက်အလက်**  
 စက်ကိုအသုံးမပြုမီ ဤစာရွက်စာတမ်းရှိ အချက်အလက်နှင့် ညွှန်ကြားချက်အားလုံးကို သေချာဖတ်ပြီး နောင်တွင် ကိုးကားရန်အတွက် သိမ်းဆည်းထားပါ။  
 စက်ဆိုင်ရာ အချက်အလက်နှင့် ညွှန်ကြားချက်များကို ပိုမိုသိရှိလိုပါက၊ ကျွန်ုပ်တို့၏ ဝက်ဘ်ဆိုက်ဖြစ်သော <https://www.hikvision.com> သို့ ဝင်ရောက်ကြည့်ရှုပါ။ စက်နှင့်အတူပါရှိသော အခြားစာရွက်စာတမ်းများ (ရှိပါက) ကိုလည်း ကိုးကားနိုင်သည့် သို့မဟုတ် အချက်အလက်ပိုမိုရရှိရန် ထုပ်ပိုးမှုတွင် QR ကုဒ် (ရှိပါက) စကန်ဖတ်နိုင်ပါသည်။

**ငြင်းဆိုချက်**

အကျိုးဝင်သည့် သက်ဆိုင်သောဥပဒေက ခွင့်ပြုထားသည့် အမြင့်ဆုံး အတိုင်းအတာဖြင့် ဤလက်စွဲစာအုပ်နှင့် ဖော်ပြထားသော ထုတ်ကုန်ကို ၎င်း၏ စက်ပစ္စည်းများ၊ ဆော့ဖ်ဝဲနှင့် ဖမ်းဝဲများနှင့်အတူ "ယင်းအတိုင်း" နှင့် "အမှားအယွင်းများအားလုံးနှင့်အတူ" ဖော်ပြထားပါသည်။ HIKVISION သည် ကန့်သတ်မှု၊ ကုန်သွယ်နိုင်စွမ်း၊ ကျေနပ်လောက်ဖွယ် အရည်အသွေး၊ သို့မဟုတ် သီးခြားရည်ရွယ်ချက် တစ်စုံတစ်ခုအတွက် ကြံ့ခိုင်မှုများ မရှိခြင်း အပါအဝင် မည်သည့် အာမခံချက်များကို အတိအလင်း ဖြစ်စေ သွယ်ဝိုက်၍ ဖြစ်စေ ပေးထားခြင်း မရှိပါ။ ကုန်ပစ္စည်းအား အသုံးပြုပါက သင့်ဘာသာသင် တာဝန်ယူ ရမည်။ မည်သည့်အခြေအနေတွင်မဆို စာချုပ်ချိုးဖောက်မှုကြောင့်ဖြစ်စေ၊ အကျိုးပျက်စီး၍ဖြစ်စေ (ပေါ့လျော့မှု

အပါအဝင်)၊ ထုတ်ကုန်ပစ္စည်း ပြဿနာ ကြောင့်ဖြစ်စေ၊ သို့မဟုတ်ပါက ဤထုတ်ကုန်ပစ္စည်းအား အသုံးပြုမှုကြောင့် ဖြစ်စေ စီးပွားရေးလုပ်ငန်း အကျိုးအမြတ် ဆုံးရှုံးမှု သို့မဟုတ် အချက်အလက် ဆုံးရှုံးမှု၊ စနစ်များ ယိုယွင်းပျက်စီးမှု သို့မဟုတ် စာရွက်စာတမ်း ပျက်စီး ပျောက်ဆုံးမှုကြောင့် ထိခိုက်မှုများ အပါအဝင် အထူးတလည်၊ အကျိုးဆက်စပ်၍၊ မတော်တဆ သို့မဟုတ် တိုက်ရိုက် ထိခိုက်မှုများအတွက် ထိုထိခိုက်မှု သို့မဟုတ် ဆုံးရှုံးမှုများအကြောင်း HIKVISION အား အကြံပြု အသိပေးပြီး ဖြစ်စေကာမူ HIKVISION မှ တာဝန်ယူမည် မဟုတ်ပါ။  
 အင်တာနက် သဘောသဘာဝအရ တည်ရှိဆဲ လုံခြုံရေး ဘေးအန္တရာယ်များ ပေးနိုင်သည်ကို သင် အသိအမှတ်ပြုပြီး ပုံမှန်မဟုတ်သော လုပ်ငန်းလည်ပတ်မှု၊ ပုဂ္ဂိုလ်ရေးဆိုင်ရာ အချက်အလက် ပေါက်ကြားမှု သို့မဟုတ် ဆိုင်ဘာ တိုက်ခိုက်မှုများ၊ ဟက်ကာ တိုက်ခိုက်မှုများ၊ ဝိုင်းရပ်စ် ကူးစက်မှု သို့မဟုတ် အခြား အင်တာနက် လုံခြုံရေး အန္တရာယ်များ၏ ရလဒ်အဖြစ် ဖြစ်ပေါ်လာသော အခြားပျက်စီးမှုများ၊ အပေါ် HIKVISION သည် တာဝန်ယူလိမ့်မည်မဟုတ်ပါ။ သို့ရာတွင် HIKVISION သည် လိုအပ်ပါက နည်းပညာပံ့ပိုးမှုကို အချိန်နှင့် တစ်ပြေးညီပေးသွားမည်။ သင်သည် အကျိုးဝင်သော ဥပဒေများနှင့် အညီ ဤကုန်ပစ္စည်းကို အသုံးပြုရန် သဘောတူညီပြီး သင်၏ အသုံးပြုမှုသည် အကျိုးဝင်သော ဥပဒေနှင့် ကိုက်ညီစေရန် သင်က လုံးဝ တာဝန်ခံရမည် ဖြစ်သည်။ အထူးသဖြင့် သင်သည် ဤကုန်ပစ္စည်းကို အသုံးပြုရာတွင်



အများပြည်သူ၏ အခွင့်အရေးများ၊ အသိပညာ ပိုင်ဆိုင်မှု အခွင့်အရေးများ သို့မဟုတ် အချက်အလက် ကာကွယ်ရေး နှင့် အခြား ပုဂ္ဂိုလ်ရေး ဆိုင်ရာ အချက်အလက် လုံခြုံမှု အခွင့်အရေးများ အပါအဝင် ဖြစ်သော်လည်း ယင်းတို့သာ အကန့်အသတ်မဟုတ်ဘဲ အပြင်အပ လူပုဂ္ဂိုလ် များ၏ အခွင့်အရေးများကို ချိုးဖောက်သော ပုံစံဖြင့် အသုံးပြုခြင်း မပြုရန် သင့်တွင် တာဝန်ရှိပါသည်။ လူ့အစုအပြုံလိုက် သေကြေပျက်စီးစေနိုင်သော လက်နက်များ တီထွင် ဖန်တီးခြင်း သို့မဟုတ် ထုတ်လုပ်ခြင်း၊ ဓာတု သို့မဟုတ် ဇီဝ လက်နက်များ တီထွင်ဖန်တီးခြင်း သို့မဟုတ် ထုတ်လုပ်ခြင်း၊ မည်သည့် ပေါက်ကွဲစေတတ်သော နျူးကလီးယား လက်နက် သို့မဟုတ် ဘေးကင်းလုံခြုံမှု မရှိသော နျူးကလီးယား လောင်စာ သံသရာတို့နှင့် သက်ဆိုင်သော အခြေအနေတွင် သို့မဟုတ် လူ့အခွင့်အရေး ချိုးဖောက်မှုကို ပံ့ပိုးသော လုပ်ဆောင်မှု တစ်စုံတရာ တို့ အပါအဝင် မည်သည့် အဆုံးသတ် အသုံးပြုမှု အတွက်ကိုမဆို သင်သည် ဤကုန်ပစ္စည်းကို အသုံးပြုခြင်း မပြုရပါ။ ဤလမ်းညွှန်နှင့် သက်ဆိုင်ရာ ဥပဒေတို့အကြား ကွဲလွဲမှုများ ရှိခဲ့ပါက ဥပဒေပါ ပြဌာန်းချက်ကိုသာ အတည်ယူရမည်။

**ဤအပိုင်းများသည် သက်ဆိုင်ရာ အမှတ်အသား သို့မဟုတ် အချက်အလက်များ ပါရှိသော ထုတ်ကုန်များနှင့်သာ သက်ဆိုင်ပါသည်။**

**EU လိုက်နာရန် ထုတ်ပြန်ချက်**



ဤထုတ်ကုန် နှင့် - သက်ဆိုင်ပါက- ထည့်သွင်းပါရှိသော အပိုပစ္စည်းများမှာလည်း "CE" အမှတ်အသား ပါရှိသည်။ သို့ဖြစ်ရာ 2014/30/EU (EMCD) လမ်းညွှန်ချက် နှင့် 2011/65/EU (RoHS) တို့အောက်ရှိ စာရင်း ပြုစုထားသော သက်ဆိုင်ရာ ဟန်ချက်ညီသော ဥပဒေပုဒ်မများနှင့် ကိုက်ညီပါသည်။ မှတ်ချက်- 50 မှ 1000 VAC အတွင်း သို့မဟုတ် 75 မှ 1500 VDC အတွင်း အဝင်ဗို့အားရှိသော ထုတ်ကုန်များသည် လမ်းညွှန်ချက် 2014/35/EU (LVD) နှင့် ကိုက်ညီပြီး ကျန်ထုတ်ကုန်များသည် လမ်းညွှန်ချက် 2001/95/EC (GPSD) နှင့် ကိုက်ညီပါသည်။ သတ်မှတ်ထားသော ပါဝါ ပေးသွင်းမှု အချက်အလက်ကို ကိုးကားချက်များအတွက် ကျေးဇူးပြု၍ စိစစ်ပါ။



2012/19/EU ညွှန်ကြားချက် (WEEE ညွှန်ကြားချက်)- ဤသင်္ကေတ ကပ်ထားသည့် ထုတ်ကုန်များကို ဥပဒေပုဒ်မအတွင်း ရောနှောစည်ပင်အမှိုက်အနေဖြင့် စွန့်ပစ်နိုင်ခြင်း မရှိပါ။ သေချာစွာ ရီဆိုင်ကယ်လုပ်ရန်အတွက် ဤထုတ်ကုန်ပစ္စည်းကို အလားတူ ပစ္စည်းအသစ်တစ်ခု ဝယ်ယူချိန်တွင် သင့်နယ်ခံ ပစ္စည်းရောင်းချသူထံ ပြန်ပေးပါ သို့မဟုတ် သတ်မှတ်ထားသည့် ပစ္စည်းစုဆောင်းသော နေရာများ၌ စွန့်ပစ်ပါ။ နောက်ထပ် အချက်အလက်များအတွက် ကြည့်ရှုရန်-

[www.recyclethis.info](http://www.recyclethis.info)



2006/66/EC ညွှန်ကြားချက်နှင့် ၎င်း၏ ပြင်ဆင်ဖြည့်စွက်ချက် 2013/56/EU (ဘက်ထရီဆိုင်ရာ ညွှန်ကြားချက်)- ဤထုတ်ကုန်ပစ္စည်းတွင်

ဥပဒေပုဒ်မအတွင်း ရောနှော စည်ပင်အမှိုက်အနေဖြင့် စွန့်ပစ်နိုင်ခြင်း မရှိသည့် ဘက်ထရီ တစ်လုံး ပါဝင်နေပါသည်။ ဘက်ထရီအတွက် သီးသန့်အချက် အလက်များကို ထုတ်ကုန်ပစ္စည်းပါ စာရွက်စာတမ်းများ၌ ကြည့်ပါ။ ဤဘက်ထရီကို ကတ်ဒီယမ် (Cd)၊ ခဲ (Pb) သို့မဟုတ် ပြဒါး (Hg) ဟု ညွှန်ပြမည့် စွန့်ပစ်ခြင်းပါဝင်နိုင်ကြောင်း ဤသင်္ကေတဖြင့် မှတ်သားထားပါသည်။ သေချာစွာ ရီဆိုင်ကယ်လုပ်ရန်အတွက် ဤဘက်ထရီကို သင့်နယ်ခံ ပစ္စည်း ရောင်းချသူထံ ပြန်ပေးပါ သို့မဟုတ် သတ်မှတ်ထားသည့် စုဆောင်းသော နေရာ၌ စွန့်ပစ်ပါ။ နောက်ထပ် အချက်အလက်များအတွက် ကြည့်ရှုရန်- [www.recyclethis.info](http://www.recyclethis.info)

**ဘေးကင်းရေးဆိုင်ရာ အချက်အလက်**

အသုံးမပြုမီ ဘေးကင်းရေးဆိုင်ရာ အချက်အလက်များကို သေချာစွာ ဖတ်ရှုပါ။

**လျှပ်စစ်ဓာတ်အား**

- ဤထုတ်ကုန်ပစ္စည်းအား အသုံးပြုရာတွင် နိုင်ငံနှင့် ဒေသတွင်းရှိ လျှပ်စစ်ဆိုင်ရာ ဘေးကင်းလုံခြုံရေး စည်းမျဉ်းအများကို အပြည့်အဝ လိုက်နာဆောင်ရွက်ရမည် ဖြစ်သည်။
- တောင်ထိပ်၊ သံတာဝါတိုင်နှင့် သစ်တောများကဲ့သို့ အထူး အခြေအနေများအောက်တွင် ကိရိယာ၏ အဝင်ပေါက်တွင် ရုတ်တရက် လျှပ်ရှားမှု အထိန်းကို ထည့်ပေးပါ။
- သတိပြုရန်- ကိရိယာ၏ ဖျို့စွဲအား အစာထိုးနိုင်ပါက မီးအန္တရာယ် သို့မဟုတ်လျှပ်စစ်ရှောင့်ဖြစ်နိုင်ခြေကို လျော့ချရန် ဖျို့စွဲနှင့် အမျိုးအစားတူပြီး အဆင့်သတ်မှတ်ချက်အရသာ အစားထိုးပါ။

**ဘက်ထရီ**

- သတိပေးချက်
  1. ဘက်ထရီကို မြို့ချခြင်း မပြုပါနှင့်။ ဓာတုပစ္စည်းလောင်ကျွမ်းခြင်း အန္တရာယ်
  2. ဤကိရိယာတွင် ငွေအကြွေစေ့/ကြယ်သီးပုံ ဆဲလ်ဘက်ထရီတစ်လုံး ပါရှိသည်။ ငွေအကြွေစေ့/ကြယ်သီးပုံ ဆဲလ်ဘက်ထရီကို မြို့ချမိပါက အချိန် ၂ နာရီအတွင်း ပြင်းထန်သော ခန္ဓာကိုယ်တွင်း ဓာတုလောင်ကျွမ်းမှုများ ဖြစ်စေနိုင်ပြီး သေဆုံးသည်အထိ ဖြစ်နိုင်ပါသည်။
  3. ဘက်ထရီ အသစ်များ၊ သုံးပြီးသားများကို ကလေးများနှင့် ဝေးရာတွင် ထားပါ။
  4. ဘက်ထရီအခန်း သေချာမပိတ်ပါက ထိုကိရိယာကို ဆက်မသုံးဘဲ ကလေးများနှင့် ဝေးရာတွင် ထားပါ။
  5. ဘက်ထရီကို မြို့ချမိသည် သို့မဟုတ် ခန္ဓာကိုယ်တွင်း နေရာတစ်နေရာသို့ ဝင်သွားသည်ဟု ထင်ပါက ဆေးကုသမှု ချက်ချင်းခံယူပါ။
  6. သတိပြုရန်- မှန်ကန်မှုမရှိသော ဘက်ထရီအမျိုးအစားဖြင့် လဲမိပါက ပေါက်ကွဲမှုဖြစ်နိုင်ပါသည်။

7. ဘက်ထရီကို ပုံစံမမှန်ဘဲ မှားယွင်းသော အမျိုးအစားတစ်ခုဖြင့် အသစ်လဲခဲ့ပါက safeguard ပျက်စီးနိုင်သည် (ဥပမာအားဖြင့် အချို့သော လစ်သီယမ် ဘက်ထရီအမျိုးအစားများတွင်)။

8. ဘက်ထရီကို ပေါက်ကွဲမှု ဖြစ်ပေါ်စေနိုင်သည့် မီးအတွင်းသို့၊ သို့မဟုတ် မီးဖိုအတွင်းအတွင်း၊ သို့မဟုတ် စက်ပစ္စည်းသုံး ထုခြေခြင်း၊ သို့မဟုတ် ဖြတ်တောက်ခြင်း ဖြင့် မစွန့်ပစ်ပါနှင့်။

9. ဘက်ထရီကို အလွန်အမင်း မြင့်မားသည့် အပူချိန်ရှိသည့် ပတ်ဝန်းကျင်တွင် မထားပါနှင့်။ ပေါက်ကွဲမှု ဖြစ်နိုင်သည် သို့မဟုတ် မီးလောင်လွယ်သည့် အရည် သို့မဟုတ် ဓာတ်ငွေ့များ ထွက်လာနိုင်သည်။

10. ဤဘက်ထရီကို အလွန်နိမ့်သည့် လေဖိအားနှင့် ထိတွေ့ခြင်း မရှိစေရ။ ပေါက်ကွဲမှု ဖြစ်နိုင်သည် သို့မဟုတ် မီးလောင်လွယ်သည့် အရည် သို့မဟုတ် ဓာတ်ငွေ့များ ထွက်လာနိုင်သည်။

11. အသုံးပြုပြီး ဘက်ထရီများကို လမ်းညွှန်ချက်များနှင့်အညီ စွန့်ပစ်ပါ။

● + နှင့် - လက္ခဏာများပါရှိသော ဘက်ထရီအတွက်၊ + သည် တိုက်ရိုက်လျှပ်စီးကြောင်းနှင့် အသုံးပြုသည့် သို့မဟုတ် ထုတ်ပေးသည့် စက်၏ အဖိုစွန်းကို ခွဲခြားသတ်မှတ်ကာ - နှင့် အသုံးပြုသည့် သို့မဟုတ် တိုက်ရိုက်လျှပ်စီးထုတ်ပေးသည့် စက်၏ အမဲစွန်းများကို ခွဲခြားသတ်မှတ်သည်။



**မီးဘေး ကာကွယ်တားဆီးရေး**

● မီးထွန်းထားသည့် ဖယောင်းတိုင်များ ကဲ့သို့သော အကာအကွယ်မရှိသည့် မီးအရင်းအမြစ်များကို ကိရိယာအပေါ်တွင် မထားရပါ။

● ကိရိယာ၏ စီရိယမ် ဆက်သွယ်မှု သည် အမှားပြင်ရန်အတွက်သာ အသုံးပြုသည်။

● ကိရိယာ၏ ပါဝါအတွက်ပေါက်သည် ကန့်သတ်ထားသော ပါဝါရင်းမြစ်နှင့် မကိုက်ညီပါ။ ဤအပေါက်မှ ပါဝါပေးသည့် ကိရိယာသည် မီးမလောင်နိုင်သော ကာကွယ်မှုတစ်ခု တပ်ဆင်ထားရမည်။

**ပူသောမျက်နှာပြင် ကာကွယ်ခြင်း**

● စတစ်ကာ  သို့မဟုတ်  ပါသော စက်ပစ္စည်းအတွက်၊ အောက်ပါသတိပေးချက်များကို အာရုံစိုက်ပါ- သတိပြုရန်- ပူသော အစိတ်အပိုင်းများ မထိရပါ။ ကိုင်တွယ်စဉ် လက်ချောင်းများ အပူလောင်စေနိုင်သည်။ အစိတ်အပိုင်းကို မကိုင်တွယ်မီ ခလုတ်ပိတ်ပြီး အနည်းဆုံး တစ်နာရီခွဲ စောင့်ဆိုင်းပါ။ ဤကပ်ခွာသည် ပူနိုင်သော ပစ္စည်းကို သတ်မှတ်ပြထားပြီး သတိမထားပဲ မကိုင်တွယ်ရပါ။ ဤကပ်ခွာပါသော ကိရိယာအတွက် ကိရိယာကို သတ်မှတ်ထားသော နေရာတွင်သာ တပ်ဆင်ရမည်။ ဝန်ဆောင်မှု ပေးသော ပုဂ္ဂိုလ်များ သို့မဟုတ် ကန့်သတ်ချက်၏ အကြောင်းရင်းများကို အသိပေးထားသော သုံးစွဲသူသာ လက်လှမ်းမီ ကိုင်တွယ်နိုင်ခြင်းသည် နေရာ နှင့် မည်သည့် ကြိုတင် ပြင်ဆင်မှု ပြုလုပ်မည်ဆိုသည့်အပေါ်တွင် သက်ဆိုင်သည်။

**တပ်ဆင်ခြင်း**

● ဤစက်ကို ပင်လယ်ရေမျက်နှာပြင်အထက် မီတာ ၂,၀၀၀ အောက်ရှိဒေသတွင်သာ အန္တရာယ်ကင်းစွာ သုံးစွဲနိုင်သည်။

● ပရော်ဖက်ရှင်နယ် အသုံးပြုရန်အတွက် ကလေးများ ရောက်လာနိုင်သည့်နေရာများတွင် စက်ပစ္စည်းများကို မတပ်ဆင်ပါနှင့်။

● ကိရိယာကို နံရံ သို့မဟုတ် မျက်နှာကြက်တွင် တပ်ဆင်ရန် လိုအပ်ပါက အလျင်အမြန်စတင်ရန် လမ်းညွှန်ချက်ပါ ညွှန်ကြားချက်များအတိုင်း တပ်ဆင်ပေးပါ။ ထိခိုက်ဒဏ်ရာရခြင်းမှ ကာကွယ်ရန် တပ်ဆင်မှုဆိုင်ရာ ညွှန်ကြားချက်များနှင့်အညီ ကိရိယာကို ကြမ်းပြင်/နံရံတွင် စနစ်တကျ ချိတ်ပါ။

● ချွန်မြဲသော အစွန်းများ သို့မဟုတ် ထောင့်များကို မထိပါနှင့်။

● သတိပြုရန်- ကျွန်ုပ်တို့ကုမ္ပဏီ၏ သီးသန့်အထိုင်ကွင်းဖြင့် တပ်ဆင်ရန် ဒီဇိုင်းထုတ်ထားပါက၊ စက်ပစ္စည်းဖြင့် ကိုက်ညီသော အထိုင်ကွင်းကိုသာ အသုံးပြုပါ။ အခြားစက်ပစ္စည်းများနှင့် အသုံးပြုပါက မတည်မငြိမ်ဖြစ်စေနိုင်ပြီး ထိခိုက်ဒဏ်ရာရစေနိုင်သည်။ အသေးစိတ်အတွက် ကိရိယာဆိုင်ရာ ဒေတာစာရွက်ကို ကိုးကားပါ။

● သတိပြုရန်- စက်ပစ္စည်းကို ကျွန်ုပ်တို့ကုမ္ပဏီ၏ သီးသန့်အထိုင်ကွင်းဖြင့် တပ်ဆင်ရန် လိုအပ်ပါက၊ ကိုက်ညီသော အထိုင်ကွင်းကိုသာ အသုံးပြုပါ။ အခြား (ဥပမာ တွန်းလှည်းများ၊ ထောက်များနှင့် သယ်ယူလှည်းများ) ကို အသုံးပြုပါက မတည်မငြိမ်ဖြစ်စေပြီး ထိခိုက်ဒဏ်ရာရစေနိုင်သည်။ အထိုင်ကွင်းမော်ဒယ်အသေးစိတ်အတွက် စက်၏ဒေတာစာရွက်ကို ကိုးကားပါ။

**သယ်ယူပို့ဆောင်ရေး**

● ကိရိယာကို သယ်ယူပို့ဆောင်ရာတွင် မူလ သို့မဟုတ် အလားတူ ထုပ်ပိုးမှုအတိုင်း ထားပါ။

**ပြုပြင်ထိန်းသိမ်းခြင်း**

● ကိရိယာ သေချာအလုပ်မလုပ်ပါက အရောင်းဆိုင် သို့မဟုတ် အနီးဆုံး ကြံ့ခိုင်မှုစစ်ဆေးရေး စင်တာသို့ ဆက်သွယ်ပါ။ ခွင့်ပြုချက်မရှိဘဲ ပြင်ဆင်ခြင်း သို့မဟုတ် ထိန်းသိမ်းပြင်ဆင်ခြင်းကြောင့် ဖြစ်ပွားရသည့် မည်သည့်ပြဿနာအတွက်မဆို လုံးဝတာဝန်ယူမည် မဟုတ်ပါ။ အချို့သော ကိရိယာ အစိတ်အပိုင်းများ (ဥပမာ- အီလက်ထရိုလိုက်တစ် စွမ်းရည်ထိန်း ပစ္စည်း) သည် ပုံမှန် လဲလှယ်မှု လုပ်ရန် လိုအပ်သည်။ ပျမ်းမျှ သက်တမ်း ကွာခြားမှု ရှိသဖြင့် စစ်ဆေးရန် အကြံပြုသည်။ အသေးစိတ်အတွက် သင့်အား ပစ္စည်းရောင်းပေးသူအား ဆက်သွယ်ပါ။

**သန့်ရှင်းခြင်း**

● ကုန်ပစ္စည်း အဖုံး၏ အတွင်းနှင့် အပြင်ကို သန့်ရှင်းသည့်အခါတွင် ကျေးဇူးပြု၍ ပျော့ပျောင်းခြောက်သွေ့သော အဝတ်စကို အသုံးပြုပါ။ အယ်ကာလိုင်း ဆပ်ပြာမှုန့်များ မသုံးပါနှင့်။

**အသုံးပြုသည့် ပတ်ဝန်းကျင်**

● လည်ပတ်လုပ်ဆောင်နေသော ပတ်ဝန်းကျင်သည် ကိရိယာအတွက် လိုအပ်ချက်များ ပြည့်မီစေရန် လုပ်ဆောင်ပါ။ စက်ပစ္စည်းကို အလွန်အမင်း ပူသော၊ အေးသော၊ ဖုန်ထူသော သို့မဟုတ် စိုစွတ်သော နေရာတွင် မထားပါနှင့်။ ၎င်းအား မြင့်မားသော လျှပ်စစ်သံလိုက် ဓာတ်ရောင်ခြည်များနှင့် မထိတွေ့ပါနှင့်။ အပူချိန်နှင့်



စိုထိုင်းဆ လိုအပ်ချက်များဆိုင်ရာ အသေးစိတ်  
အချက်အလက်များအတွက် စက်ပစ္စည်းသတ်မှတ်ချက်ကို  
ကိုးကားပါ။  
အရေးပေါ်

● ကိရိယာမှ မီးခိုးငွေ့၊ ညှော်နံ့စသည့် အနံ့၊ ဆူညံသံများ ထွက်လာလျှင်  
ပါဝါ ချက်ချင်းပိတ်၊ ပါဝါကောဘယ် ဖြုတ်ပြီး ပြုပြင်ရေးစင်တာသို့  
ဆက်သွယ်ပါ။

**Türkçe**

### Mevzuata Uygunluk ve Güvenlik Bilgileri

Cihazı kullanmaya başlamadan önce bu belgedeki tüm bilgi ve talimatları dikkatlice okuyun ve daha sonra başvurmak üzere saklayın.

Cihazla ilgili bilgi ve talimatlar için lütfen web sayfamızı <https://www.hikvision.com> ziyaret edin. Ayrıca daha fazla bilgi edinmek için (varsa) cihazla birlikte gelen belgelere bakabilir veya (varsa) paket üzerindeki QR kodunu tarayabilirsiniz.

### Yasal Uyarı

YÜRÜRLÜKTEKİ YASALARIN İZİN VERDİĞİ AZAMI ÖLÇÜDE, BU KILAVUZ VE AÇIKLANAN ÜRÜN, DONANIMI, YAZILIMI VE ÜRÜN YAZILIMI İLE "OLDUĞU GİBİ" VE "TÜM ARIZALAR VE HATALAR İLE" SAĞLANIR. HIKVISION, TİCARETE ELVERİŞLİLİK, TATMİN EDİCİ KALİTE VEYA BELİRLİ BİR AMACA UYGUNLUK DA DAHİL ANCAK BUNLARLA SINIRLI OLMAMAK ÜZERE AÇIK VEYA ZİMNİ HİÇBİR GARANTİ VERMEZ. ÜRÜNÜN SİZİN TARAFINIZDAN KULLANIMI KENDİ SORUMLULUĞUNUZDADIR. HIKVISION HİÇBİR DURUMDA, BU ÜRÜNÜN KULLANIMI İLE BAĞLANTILI OLARAK, HIKVISION BU TÜR HASARLARIN OLASILIĞI HAKKINDA BİLGİLENDİRİLMİŞ OLSA BİLE, İŞ KARLARININ KAYBI, İŞ KESİNTİSİ, VERİ KAYBI, SİSTEM KESİNTİSİ, BELGE KAYBI, SÖZLEŞMENİN İHLALİ (İHMAL DAHİL), ÜRÜN SORUMLULUĞU GİBİ ZARARLAR DA DAHİL OLMAK ÜZERE, ÖZEL, SONUÇSAL, TESADÜFİ VEYA DOLAYLI ZARARLAR İÇİN SİZE KARŞI SORUMLU OLMAYACAKTIR.

İNTERNETİN DOĞASININ DOĞAL GÜVENLİK RİSKLERİ BARINDIRDIĞINI KABUL EDİYORSUNUZ VE HIKVISION, SİBER SALDIRI, HACKER SALDIRISI, VİRÜS BULAŞMASI VEYA DİĞER İNTERNET GÜVENLİK RİSKLERİNDEN KAYNAKLANAN ANORMAL KULLANIM, GİZLİLİK SIZINTISI VEYA DİĞER ZARARLAR İÇİN HERHANGİ BİR SORUMLULUK KABUL ETMEZ; ANCAK, HIKVISION GEREKİRSE ZAMANINDA TEKNİK DESTEK SAĞLAYACAKTIR. BU ÜRÜNÜ GEÇERLİ TÜM YASALARA UYGUN OLARAK KULLANMAYI KABUL EDİYORSUNUZ VE KULLANIMINIZIN GEÇERLİ YASALARA UYGUN OLMASINI SAĞLAMAKTAN YALNIZCA SİZ SORUMLUSUNUZ. ÖZELLİKLE, BU ÜRÜNÜ, SINIRLAMA OLMAKSIZIN, TANITIM HAKLARI, FİKRİ MÜLKİYET HAKLARI VEYA VERİ KORUMA VE DİĞER GİZLİLİK HAKLARI DA DAHİL OLMAK ÜZERE ÜÇÜNCÜ TARAFLARIN HAKLARINI İHLAL ETMEYECEK ŞEKİLDE KULLANMAKTAN SİZ SORUMLUSUNUZ. BU ÜRÜNÜ, KİTLE İMHA SİLAHLARININ GELİŞTİRİLMESİ VEYA ÜRETİMİ, KİMYASAL VEYA BİYOLOJİK SİLAHLARIN GELİŞTİRİLMESİ VEYA ÜRETİMİ, HERHANGİ BİR NÜKLEER PATLAYICI VEYA GÜVENLİ OLMAYAN NÜKLEER YAKIT DÖNGÜSÜ İLE İLGİLİ HERHANGİ BİR FAALİYETTE VEYA İNSAN HAKLARI İHLALLERİNİ DESTEKLEMELİK DE DAHİL YASAKLANMIŞ SON KULLANIMLAR İÇİN KULLANAMAZSINIZ. BU KILAVUZ İLE İLGİLİ YASA ARASINDA HERHANGİ BİR ÇELİŞKİ OLMASI DURUMUNDA, İKİNCİSİ GEÇERLİDİR.

**Bu maddeler, yalnızca ilgili işarete veya bilgiye sahip ürünler için geçerlidir.**

### AB Uygunluk Beyanı



Bu ürün ve - varsa - verilen aksesuarlar da "CE" ile işaretlenmiştir ve bu nedenle 2014/30/EU(EMCD) Direktifi ve 2011/65/EU(RoHS) Direktifinde listelenen ilgili uyumlaştırılmış Avrupa standartlarına uygundur.

Not: Giriş voltajı 50 ila 1000 VAC veya 75 ila 1500 VDC arasında olan ürünler, 2014/35/EU (LVD) Direktifine, geri kalan ürünler de 2001/95/EC (GPSD) Direktifine uygundur. Referans olması için lütfen ilgili güç kaynağı bilgilerini kontrol edin.



2012/19/EU Direktifi (WEEE direktifi): Bu sembole sahip ürünler, Avrupa Birliği'nde ayrıştırılmamış belediye atığı olarak imha edilemez. Doğru bir geri dönüşüm için eşdeğer yeni bir ekipman aldıktan sonra

bu ürünü yerel tedarikçinize iade edin veya belirlenmiş toplama noktalarına gönderin. Daha fazla bilgi için bkz: [www.recyclethis.info](http://www.recyclethis.info).



2006/66/EC Direktifi ve değişiklik 2013/56/EU (batarya direktifi): Bu ürün, Avrupa Birliği'nde ayrıştırılmamış belediye atığı olarak imha edilemeyen bir pil içermektedir. Pile özel bilgi edinmek için ürün

belgelerine bakın. Pil, kadmiyum (Cd), kurşun (Pb) veya cıva (Hg) elementlerini gösteren harflerin de yer alabildiği bu sembolle işaretlenmiştir. Doğru bir geri dönüşüm için pili tedarikçinize veya belirlenmiş toplama noktasına geri götürün. Daha fazla bilgi için bkz: [www.recyclethis.info](http://www.recyclethis.info).

### Güvenlik Bilgileri

Ekipmanı kullanmaya başlamadan önce lütfen tüm güvenlik bilgilerini okuyun.

### Elektrik

- Ürünü kullanırken ülkenin ve bölgenin elektrik güvenliği yönetmeliklerine tam olarak uymanız gerekir.
- Dağ tepesi, demir kule ve orman gibi özel koşullarda ekipmanın giriş açıklığında aşırı gerilim koruyucu sağlayın.
- DİKKAT: Cihazın sigortası değiştirilebiliyorsa, yangın veya elektrik çarpması riskini azaltmak için sadece aynı tip ve değerdeki sigortayla değiştirin.

### Pil



### UYARI

1. Pili yutmayın. Kimyasal yanık tehlikesi mevcuttur!
2. Bu ürün düğme pil içerir. Düğme pil yutulursa, yalnızca 2 saat içinde ciddi iç yanıklara ve ölüme neden olabilir.
3. Yeni ve kullanılmış pilleri çocuklardan uzak tutun.
4. Pil bölmesi güvenli bir şekilde kapanmıyorsa ürünü kullanmayı bırakın ve çocuklardan uzak tutun.
5. Pillerin yutulmuş veya vücudun herhangi bir yerine yerleştirilmiş olabileceğini düşünüyorsanız derhal tıbbi yardım alın.
6. DİKKAT: Pil yanlış bir türle değiştirildiğinde patlama riski.
7. Pilin yanlış türde bir pille uygun olmayan şekilde değiştirilmesi korumayı geçersiz hâle getirebilir (örneğin, bazı lityum pil türleri).



8. Pili ateşe veya sıcak fırına atmayın veya pili mekanik olarak patlayabilecek şekilde ezmeyin veya kesmeyin.
9. Pili, patlamaya veya yanıcı sıvı veya gaz sızıntısına neden olabilecek aşırı yüksek sıcaklıktaki bir ortamda bırakmayın.
10. Pili, patlamaya veya yanıcı sıvı veya gaz sızıntısına neden olabilecek aşırı düşük hava basıncına maruz bırakmayın.
11. Bitmiş pilleri yönetmeliklere göre atın.

- + ve - işaretli piller için +, doğru akımla birlikte kullanılan veya akım üreten cihazın artı uçlarını, - doğru akımla kullanılan veya doğru akım üreten aygıtın eksi uçlarını belirtir.

#### Yangın Önleme

- Ekipmanın üzerine yanan mum gibi açık alev kaynakları konulmamalıdır.
- Ekipmanın seri portu sadece hata ayıklama için kullanılır.
- Cihazın güç çıkış portu, Sınırlı Güç Kaynağı ile uyumlu değildir. Bu bağlantı noktasından güç verilen cihaz, yangın geciktirici bir muhafaza ile donatılmalıdır.

#### Sıcak Yüzey Önleme

-  veya  çıkarmasına sahip cihaz için aşağıdaki uyarılara dikkat edin:

**DİKKAT:** Sıcak parçalar! Dokunmayın. Parçaları tuttuğunuzda parmaklarınız yanabilir. Kapattıktan sonra parçaları tutmadan önce bir buçuk saat bekleyin.

Bu çıkartma, işaretli parçanın sıcak olabileceğini ve dikkat edilmeden dokunulmaması gerektiğini belirtmektedir. Bu çıkartmaya sahip cihaz için, bu cihaz sınırlı bir erişim konumuna kurulum için tasarlanmıştır, sadece servis personeli veya konuma uygulanan kısıtlamaların nedenleri ve alınması gereken önlemler hakkında bilgilendirilmiş kullanıcılar tarafından erişim sağlanabilir.

#### Montaj

- Bu cihaz sadece deniz seviyesinden 2000 metre yüksekliğinde altındaki bölgede güvenle kullanılabilir.
- Çocukların bulunabilme olasılığının yüksek olduğu yerlere profesyonel kullanıma yönelik cihazları monte etmeyin.

- Cihazın duvara veya tavana monte edilmesi gerekiyorsa cihazın montajını, Hızlı Başlangıç Kılavuzu talimatlarına göre gerçekleştirin. Yaralanmayı önlemek için cihazı kurulum talimatlarına uygun olarak zemine / duvara düzgün şekilde takın.
- Keskin kenarlara veya köşelere dokunmayın.
- **DİKKAT:** Braketin, şirketimize ait belirli bir cihaz modeli için tasarlanması halinde, braketi yalnızca ilgili cihazla kullanın. Başka cihazlarla kullanılması, dengenin bozulmasına ve yaralanmaya yol açabilir. Ayrıntılar için cihaz veri sayfasına bakın.

- **DİKKAT:** Cihazın, şirketimize ait belirli bir braketle monte edilmesi gerekiyorsa bu durumda yalnızca ilgili braketi kullanın. Diğer braketlerin (ör. el arabası, stant ve taşıyıcı) kullanılması, dengesizliğe yol açıp yaralanmaya neden olabilir. Braket modeli ayrıntıları için cihaz veri sayfasına bakın.

#### Ulaşım

- Cihazı taşıırken orijinal ambalajının veya benzer bir ambalajın içerisine koyun.

#### Bakım

- Ürün düzgün şekilde çalışmıyorsa lütfen bayiinizle veya en yakın servis merkeziyle iletişime geçin. Yetkisiz onarım veya bakımdan kaynaklanan sorunlar için herhangi bir sorumluluk kabul etmeyiz. Cihazın birkaç parçası (ör. Elektrolitik kapasitör) düzenli olarak değiştirilmelidir. Ortalama parça ömrü değişiklik göstermektedir bu nedenle periyodik kontrol önerilmektedir. Ayrıntılar için satıcınızla iletişime geçin.

#### Temizleme

- Ürün kapağının iç ve dış yüzeylerini temizlerken yumuşak ve kuru bir bez kullanın. Alkalın deterjanlar kullanmayın.

#### Kullanma Ortamı

- Çalışma ortamının cihazın gereksinimlerini karşıladığından emin olun. Cihazı aşırı sıcak, soğuk, tozlu veya nemli yerlere **YERLEŞTİRMEYİN** ve yüksek elektromanyetik radyasyona maruz bırakmayın. Sıcaklık ve nem gereklilikleri için, cihaz özelliklerine bakın.

#### Acil Durum

- Cihazdan duman, koku veya ses geliyorsa hemen gücü kapatarak güç kablosunun bağlantısını kesin ve servis merkeziyle iletişime geçin.

## Русский

#### Соответствие нормативным требованиям и инструкции по технике безопасности

Перед использованием устройства внимательно прочтите всю информацию и указания, содержащиеся в данном документе, и сохраните его для дальнейшего использования.

Для получения дополнительных инструкций или информации об устройстве, посетите наш сайт <https://www.hikvision.com>.

Для получения дополнительной информации вы также можете обратиться к другим прилагаемым к устройству документам (при их наличии) или отсканировать QR-код на упаковке (при его наличии).

#### Ограничение ответственности

В МАКСИМАЛЬНОЙ СТЕПЕНИ, РАЗРЕШЕННОЙ ДЕЙСТВУЮЩИМ ЗАКОНОДАТЕЛЬСТВОМ, ДАННОЕ РУКОВОДСТВО И ОПИСАНИЕ ИЗДЕЛИЯ ВМЕСТЕ С АППАРАТНОЙ ЧАСТЬЮ, ПРОГРАММНЫМ ОБЕСПЕЧЕНИЕМ И ВСТРОЕННОЙ МИКРОПРОГРАММОЙ ПРЕДОСТАВЛЯЕТСЯ ПО ПРИНЦИПУ «КАК ЕСТЬ» И «СО ВСЕМИ НЕПОЛАДКАМИ И ОШИБКАМИ». КОМПАНИЯ HIKVISION НЕ ДАЕТ НИ ЯВНЫХ, НИ ПОДРАЗУМЕВАЕМЫХ ГАРАНТИЙ, В ТОМ ЧИСЛЕ ГАРАНТИЙ ТОВАРНОЙ ПРИГОДНОСТИ И

УДОВЛЕТВОРИТЕЛЬНОГО КАЧЕСТВА, КАК И ПРИГОДНОСТИ ДЛЯ КОНКРЕТНЫХ ЦЕЛЕЙ. ПОТРЕБИТЕЛЬ ИСПОЛЬЗУЕТ ИЗДЕЛИЕ НА СВОЙ СТРАХ И РИСК. НИ ПРИ КАКИХ ОБСТОЯТЕЛЬСТВАХ КОМПАНИЯ HIKVISION НЕ НЕСЕТ ОТВЕТСТВЕННОСТИ ПЕРЕД ПОТРЕБИТЕЛЕМ НИ ЗА ФАКТИЧЕСКИ ПОНЕСЕННЫЙ, НИ ЗА ПОСЛЕДУЮЩИЙ, КАК ПРЯМОЙ, ТАК И КОСВЕННЫЙ, УЩЕРБ, ВКЛЮЧАЯ УБЫТКИ В ВИДЕ УПУЩЕННОЙ ПРИБЫЛИ, ПЕРЕРЫВОВ В ДЕЯТЕЛЬНОСТИ, ПОТЕРИ ДАННЫХ, ДОКУМЕНТАЦИИ ИЛИ ПОВРЕЖДЕНИЯ СИСТЕМ, БУДЬ ТО ПО ПРИЧИНЕ НАРУШЕНИЯ ДОГОВОРА, ПРОТИВОПРАВНЫХ ДЕЙСТВИЙ (В ТОМ ЧИСЛЕ ХАЛАТНОСТИ), НАСТУПЛЕНИЯ ОТВЕТСТВЕННОСТИ ЗА ИЗДЕЛИЕ ИЛИ ИНЫХ ОБСТОЯТЕЛЬСТВ В СВЯЗИ С ИСПОЛЬЗОВАНИЕМ ДАННОГО ИЗДЕЛИЯ, ДАЖЕ ЕСЛИ КОМПАНИЯ HIKVISION БЫЛО ИЗВЕСТНО О ВОЗМОЖНОСТИ ТАКОГО УЩЕРБА И УБЫТКОВ.

ПОТРЕБИТЕЛЬ ОСОЗНАЕТ, ЧТО ИНТЕРНЕТ ПО СВОЕЙ ПРИРОДЕ ЯВЛЯЕТСЯ ИСТОЧНИКОМ ПОВЫШЕННОГО РИСКА БЕЗОПАСНОСТИ И КОМПАНИЯ HIKVISION НЕ НЕСЕТ ОТВЕТСТВЕННОСТИ ЗА СБОИ В РАБОТЕ ОБОРУДОВАНИЯ, УТЕЧКУ ИНФОРМАЦИИ И ДРУГОЙ УЩЕРБ, ВЫЗВАННЫЙ

КИБЕРАТАКАМИ, ХАКЕРАМИ, ВИРУСАМИ ИЛИ СЕТЕВЫМИ УГРОЗАМИ; ОДНАКО NIKVISION ОБЕСПЕЧИВАЕТ СВОЕВРЕМЕННУЮ ТЕХНИЧЕСКУЮ ПОДДЕРЖКУ, ЕСЛИ ЭТО НЕОБХОДИМО.

ПОТРЕБИТЕЛЬ СОГЛАШАЕТСЯ ИСПОЛЬЗОВАТЬ ДАННОЕ ИЗДЕЛИЕ В СООТВЕТСТВИИ СО ВСЕМИ ПРИМЕНИМЫМИ ЗАКОНАМИ И НЕСЕТ ЛИЧНУЮ ОТВЕТСТВЕННОСТЬ ЗА ИХ СОБЛЮДЕНИЕ. В ЧАСТНОСТИ, ПОТРЕБИТЕЛЬ НЕСЕТ ОТВЕТСТВЕННОСТЬ ЗА ИСПОЛЬЗОВАНИЕ ДАННОГО ИЗДЕЛИЯ БЕЗ НАРУШЕНИЯ ПРАВ ТРЕТЬИХ ЛИЦ, В ТОМ ЧИСЛЕ ПРАВ НА ПУБЛИЧНОСТЬ, ИНТЕЛЛЕКТУАЛЬНУЮ СОБСТВЕННОСТЬ И ЗАЩИТУ ДАННЫХ И ДРУГИХ ПРАВ НА СОХРАНЕНИЕ КОНФИДЕНЦИАЛЬНОСТИ. ПОТРЕБИТЕЛЬ ОБЯЗУЕТСЯ НЕ ИСПОЛЬЗОВАТЬ ЭТО ИЗДЕЛИЕ В ЗАПРЕЩЕННЫХ ЦЕЛЯХ, В ТОМ ЧИСЛЕ ДЛЯ РАЗРАБОТКИ ИЛИ ПРОИЗВОДСТВА ОРУЖИЯ МАССОВОГО УНИЧТОЖЕНИЯ, ХИМИЧЕСКОГО ИЛИ БИОЛОГИЧЕСКОГО ОРУЖИЯ, ОСУЩЕСТВЛЕНИЯ КАКОЙ-ЛИБО ДЕЯТЕЛЬНОСТИ В КОНТЕКСТЕ ЯДЕРНОГО ОРУЖИЯ, НЕБЕЗОПАСНЫХ ОПЕРАЦИЙ С ЯДЕРНЫМ ТОПЛИВОМ ИЛИ ДЛЯ ПОДДЕРЖКИ НАРУШЕНИЙ ПРАВ ЧЕЛОВЕКА. В СЛУЧАЕ РАЗНОЧТЕНИЙ МЕЖДУ НАСТОЯЩИМ РУКОВОДСТВОМ И ДЕЙСТВУЮЩИМ ЗАКОНОДАТЕЛЬСТВОМ, ПОСЛЕДНЕЕ ИМЕЕТ ПРИОРИТЕТ.

---

**Данные положения применяются только в том случае, если изделие снабжено соответствующей отметкой или информацией.**

---

#### Декларация соответствия EU



Настоящее изделие и аксессуары в комплекте поставки (при наличии таковых) отмечены символом «CE», который обозначает их соответствие применимым согласованным европейским стандартам, перечисленным в Директиве 2014/30/ЕС (EMCD) и Директиве 2011/65/ЕС (RoHS).

Примечание: На изделия с входным напряжением 50–1000 В переменного тока или 75–1500 В постоянного тока распространяется Директива 2014/35/EU (LVD), а на все остальные изделия — Директива 2001/95/ЕС (GPSD). См. характеристики конкретного источника питания.



Директива WEEE 2012/19/ЕС (по утилизации отходов электрического и электронного оборудования): изделия, отмеченные этим символом, запрещено утилизировать в

Европейском союзе в качестве несортированных бытовых отходов. Для надлежащей переработки возвратите это изделие местному поставщику после покупки эквивалентного нового оборудования или утилизируйте его в предназначенных для этого пунктах сбора отходов. Для получения дополнительной информации см.:

[www.recyclethis.info](http://www.recyclethis.info).



Директива 2006/66/ЕС и поправка к ней 2013/56/EU (сведения о батарее): этот продукт содержит батарею, которую запрещено утилизировать в Европейском союзе в качестве несортированных

муниципальных отходов. Для получения точной информации о батарее см. документацию к продукту. Маркировка батареи может включать символы, которые определяют ее химический состав: кадмий (Cd), свинец (Pb) или ртуть (Hg). Для надлежащей утилизации отправьте батарею местному

поставщику или утилизируйте ее в специальных пунктах приема отходов. Для получения дополнительной информации см.: [www.recyclethis.info](http://www.recyclethis.info).

#### Инструкции по технике безопасности

Перед использованием внимательно ознакомьтесь с информацией по технике безопасности.

#### Электрооборудование

- Эксплуатация данного изделия должна выполняться в строгом соответствии с правилами безопасной эксплуатации электрооборудования, действующими в вашей стране и вашем регионе.
- В особых условиях, таких как горные вершины, железные башни и лесные массивы, установите ограничитель перенапряжения на входе устройства.
- ПРЕДУПРЕЖДЕНИЕ: Если устройство оснащено сменным предохранителем, заменяйте его только на предохранитель такого же типа и номинала во избежание возгорания или поражения электрическим током.

#### Батарея



#### ● ПРЕДУПРЕЖДЕНИЕ!



1. Не проглатывайте батарею. Опасность химического ожога!
  2. Устройство содержит плоскую круглую батарею. Если вы случайно проглотите эту батарею, это может вызвать серьезные ожоги внутренних органов и даже привести к летальному исходу через 2 часа.
  3. Храните новые и использованные батареи вдали от детей.
  4. Если отсек для батареи не закрывается достаточно плотно, прекратите эксплуатацию изделия и ограничьте доступ детей к нему.
  5. Если вы думаете, что батарея была проглочена или каким-либо другим образом попала в организм, немедленно обратитесь к врачу.
  6. ПРЕДУПРЕЖДЕНИЕ: При установке батареи недопустимого типа существует риск взрыва.
  7. Установка батареи недопустимого типа может создать угрозу для безопасности (например, в случае некоторых типов литиевых батарей).
  8. Не бросайте батарею в огонь или горячую печь, не сдавливайте и не разрезайте батарею, поскольку это может привести к взрыву.
  9. Нахождение батареи в среде с чрезвычайно высокой температурой может привести к взрыву или к утечке горючей жидкости или газа.
  10. Нахождение батареи в среде с чрезвычайно низким давлением воздуха может привести к взрыву или к утечке горючей жидкости или газа.
  11. Утилизируйте использованные батареи в соответствии с инструкциями.
- У батареи со знаками + и - маркирует положительные клеммы устройства, которое используется с постоянным током или генерирует его, а - — отрицательные клеммы устройства, которое используется с постоянным током или генерирует его.

#### Предотвращение пожара

- Не ставьте на устройство источники открытого огня, например горящие свечи.
- Последовательный порт оборудования предназначен только для отладки.

- Порт вывода питания устройства не соответствует требованиям к ограниченному напряжению питания. Устройство, которое получает питание от этого порта, должно быть оснащено огнезащитным кожухом.

#### Предотвращение ожога из-за горячей поверхности

- Для устройства с наклейкой  или  обращайтесь внимание на следующие меры предосторожности.  
ПРЕДУПРЕЖДЕНИЕ: Горячие детали! Не прикасайтесь. Опасность ожога пальцев при обращении с деталями. Перед прикосновением к деталям устройства подождите полчаса после его выключения.  
Эта наклейка указывает на то, что данный компонент может быть горячим, и его нельзя трогать не предприняв соответствующих мер предосторожности. Устройства с такой наклейкой предназначены для размещения в закрытой зоне, доступ в которую должны иметь только обслуживающие специалисты или пользователи, знающие о причинах ограничения доступа в эту зону и осведомленные о необходимых мерах предосторожности.

#### Установка

- Безопасное использование устройства возможно только на высоте менее 2000 метров над уровнем моря.
- Не устанавливайте устройства для профессиональной эксплуатации в местах, где могут находиться дети.
- При необходимости монтажа устройства на стене или потолке выполните установку согласно инструкциям, приведенным в руководстве по быстрому запуску. Во избежание травм выполняйте монтаж устройства к полу/стене надлежащим образом согласно инструкциям по установке.
- Не прикасайтесь к острым краям или углам.
- ПРЕДУПРЕЖДЕНИЕ: Если кронштейн предназначен для конкретной модели устройства нашей компании, используйте его только с соответствующим устройством. Использование с другими устройствами может привести к травмам в результате неустойчивости устройства.

Подробную информацию см. в технических характеристиках устройства.

- ПРЕДУПРЕЖДЕНИЕ: Если для установки устройства требуется специальный кронштейн нашей компании, используйте только соответствующий кронштейн. Использование другого оборудования (тележек, подставок или держателей) может привести к травмам в результате неустойчивости устройства. Подробную информацию о модели кронштейна см. в технических характеристиках устройства.

#### Транспортировка

- Используйте оригинальную или схожую упаковку для транспортировки устройства.

#### Техническое обслуживание

- Если изделие не работает должным образом, обратитесь к дилеру или к специалистам ближайшего сервисного центра. Компания-изготовитель не несет ответственности за неисправности, возникшие в результате несанкционированного ремонта или технического обслуживания. Некоторые компоненты устройства (например, электролитические конденсаторы) требуют регулярной замены. Средний срок службы этих компонентов может различаться, поэтому советуем периодически их проверять. Подробности уточняйте у продавца.

#### Очистка

- Для очистки внутренних и внешних поверхностей крышки изделия используйте мягкую сухую ткань. Не используйте щелочные моющие средства.

#### Требования к рабочей среде

- Убедитесь, что рабочая среда удовлетворяет требованиям надлежащей работы устройства. НЕ подвергайте устройство воздействию экстремально высоких и низких температур, грязи, высокой влажности и интенсивного электромагнитного излучения. Требования к температуре и влажности указаны в технических характеристиках устройства.

#### Кнопка подачи экстренного сигнала тревоги

- Если устройство испускает дым, неприятный запах или шум, незамедлительно отключите электропитание, извлеките шнур питания и обратитесь в сервисный центр.

**Українська**

#### Відповідність нормативним вимогам та інформація щодо техніки безпеки

Прочитайте всю інформацію й указівки, що містяться в цьому документі, та збережіть його для подальшого використання. Для отримання більш детальної інформації про пристрій і вказівок щодо його використання відвідайте наш вебсайт: <https://www.hikvision.com>. Крім того, щоб отримати більш детальну інформацію, ви можете звернутися до інших документів (якщо є), які постачаються разом із пристроєм, або відсканувати QR-код (якщо є) на упаковці.

#### Обмеження відповідальності

В МАКСИМАЛЬНИХ МЕЖАХ, ДОЗВОЛЕНИХ ЗАСТОСОВУВАННЯМ ЗАКОНОМ, ЦЕ КЕРІВНИЦТВО ТА ОПИСАНИЙ ВИРІБ, З ЙОГО АПАРАТНИМ, ПРОГРАМНИМ ТА МІКРОПРОГРАМНИМ ЗАБЕЗПЕЧЕННЯМ, НАДАЮТЬСЯ «ЯК Є» ТА «ЗІ ВСІМА НЕДОЛІКАМИ ТА ПОМИЛКАМИ». НІКВІЗІОН НЕ НАДАЄ ЖОДНИХ ГАРАНТІЙ, ЯВНИХ АБО ОЧІКУВАНИХ, ВКЛЮЧАЮЧИ, БЕЗ ОБМЕЖЕНЬ, КОМЕРЦІЙНІ ЯКОСТІ, ЗАДОВІЛЬНУ ЯКІСТЬ АБО ПРИДАТНІСТЬ ДЛЯ ХАРАКТЕРНОЇ МЕТИ. ВИКОРИСТАННЯ

ВИРОБУ ВІДБУВАЄТЬСЯ НА ВАШ ВЛАСНИЙ РИЗИК. КОМПАНІЯ НІКВІЗІОН НІ В ЯКОМУ РАЗІ НЕ НЕСЕ ВІДПОВІДАЛЬНОСТІ ПЕРЕД ВАМИ ЗА БУДЬ-ЯКІ СПЕЦІАЛЬНІ, ЛОГІЧНО ВИТІКАЮЧІ, ВИПАДКОВІ АБО НЕПРЯМІ ЗБИТКИ, ВКЛЮЧАЮЧИ, КРІМ ІНШОГО, ПОШКОДЖЕННЯ, ЩО ВЕДУТЬ ДО ВТРАТИ КОМЕРЦІЙНОГО ПРИБУТКУ, ПЕРЕРИВАННЯ ДІЛОВОЇ АКТИВНОСТІ АБО ВТРАТИ ДАНИХ, ПСУВАННЯ СИСТЕМ АБО ВТРАТИ ДОКУМЕНТАЦІЇ, НЕВАЖЛИВО, ЧИ ВНАСЛІДОК ПОРУШЕННЯ КОНТРАКТУ, ЦИВІЛЬНОГО ПРАВОПОРУШЕННЯ (ВКЛЮЧАЮЧИ НЕДБАЛІСТЬ), ВІДПОВІДАЛЬНОСТІ ЗА ВИРІБ, АБО ІНШИМ ЧИНОМ, ПОВ'ЯЗАНИХ З ВИКОРИСТАННЯМ ВИРОБУ, НАВІТЬ ЯКЩО КОМПАНІЯ НІКВІЗІОН ПОВІДОМЛЯЛА ПРО МОЖЛИВІСТЬ ТАКИХ ЗБИТКІВ АБО ВТРАТ. ВИ УСВІДОМЛЮЄТЕ, ЩО ПРИРОДА ІНТЕРНЕТУ НЕСЕ ПРИТАМАННІ РИЗИКИ ДЛЯ БЕЗПЕКИ, І КОМПАНІЯ НІКВІЗІОН НЕ БЕРЕ НА СЕБЕ НІЯКОЇ ВІДПОВІДАЛЬНОСТІ ЗА НЕНОРМАЛЬНУ РОБОТУ, ВТРАТУ КОНФІДЕНЦІЙНОСТІ АБО ІНШІ ЗБИТКИ В РЕЗУЛЬТАТІ КІБЕР-АТАК, ХАКЕРСЬКИХ АТАК, ЗАРАЖЕНЬ ВІРУСАМИ АБО ІНШИХ РИЗИКІВ ДЛЯ БЕЗПЕКИ В ІНТЕРНЕТІ,

ОДНАК, КОМПАНІЯ HIKVISION В РАЗІ НЕОБХІДНОСТІ НАДАСТЬ СВОЄЧАСНУ ТЕХНІЧНУ ПІДТРИМКУ.

ВИ ПОГОДЖУЄТЕСЬ ВИКОРИСТОВУВАТИ ЦЕЙ ВИРІБ У ВІДПОВІДНОСТІ ДО ВСІХ ЗАСТОСОВУВАНИХ ЗАКОНІВ, І ВИ НЕСЕТЕ ОДНООСІБНУ ВІДПОВІДАЛЬНІСТЬ ЗА ЗАБЕЗПЕЧЕННЯ ВИКОРИСТАННЯ ВИРОБУ ВІДПОВІДНО ДО ЗАСТОСОВУВАНОГО ЗАКОНУ. ЗОКРЕМА, ВИ НЕСЕТЕ ВІДПОВІДАЛЬНІСТЬ ЗА ВИКОРИСТАННЯ ЦЬОГО ВИРОБУ СПОСОБОМ, ЯКИЙ НЕ ПОРУШУЄ ПРАВА ТРЕТІХ СТОРІН, ВКЛЮЧАЮЧИ, БЕЗ ОБМЕЖЕНЬ, ПРАВА РОЗГОЛОШЕННЯ, ПРАВА ІНТЕЛЕКТУАЛЬНОЇ ВЛАСНОСТІ ТА ІНШІ ПРАВА ЩОДО КОНФІДЕНЦІЙНОСТІ. ВИ НЕ ПОВИННІ ВИКОРИСТОВУВАТИ ЦЕЙ ВИРІБ ДЛЯ БУДЬ-ЯКОГО ЗАБОРОНЕНОГО КІНЦЕВОГО ПРИЗНАЧЕННЯ, ВКЛЮЧАЮЧИ РОЗРОБКУ ЧИ ВИРОБНИЦТВО ЗБРОЇ МАСОВОГО ЗНИЩЕННЯ, РОЗРОБКУ ЧИ ВИРОБНИЦТВО ХІМІЧНОЇ АБО БІОЛОГІЧНОЇ ЗБРОЇ, БУДЬ-ЯКІ ДІЇ В КОНТЕКСТІ, ПОВ'ЯЗАНОМУ З ЯДЕРНОЮ ВИБУХОВОЮ РЕЧОВИНОЮ АБО НЕБЕЗПЕЧНИМ ЯДЕРНИМ ПАЛИВНИМ ЦИКЛОМ, АБО НА ПІДТРИМКУ ПОРУШЕНЬ ПРАВ ЛЮДИНИ.

У РАЗІ БУДЬ-ЯКИХ ПРОТИРІЧ МІЖ ЦИМ КЕРІВНИЦТВОМ ТА ЗАСТОСОВУВАНИМ ЗАКОНОМ, ОСТАННІЙ МАЄ ПЕРЕВАГУ.

**Ці положення застосовуються лише до продуктів, які мають відповідний знак або інформацію.**

#### Декларація відповідності нормативним вимогам ЄС



Цей виріб й аксесуари до нього (якщо є в комплекті) мають маркування «CE», а тому відповідають чинним гармонізованим

європейським стандартам, переліченим у Директиві з електромагнітної сумісності (EMCD) 2014/30/ЄС і Директиві щодо обмеження використання шкідливих речовин (RoHS) 2011/65/ЄС.

Примітка: Продукти з вхідною напругою від 50 до 1000 В змінного струму або від 75 до 1500 В постійного струму відповідають Директиві 2014/35/ЄС (LVD), а решта продуктів відповідає Директиві 2001/95/ЄС (GPSD). Щоб дізнатися напевно, перевірте інформацію про джерело живлення.



Директива з утилізації електричного й електронного обладнання (WEEE) 2012/19/ЄС:

Вироби, помічені цим символом, не можна утилізувати у Європейському Союзі як несортвані побутові відходи.

Щоб забезпечити правильну переробку цього виробу, поверніть його місцевому постачальнику під час придбання аналогічного нового обладнання, або здайте його до спеціально призначеного пункту збирання відходів.

Докладну інформацію дивіться на сайті: [www.recyclethis.info](http://www.recyclethis.info).



Директива 2006/66/ЄС із поправками 2013/56/ЄС (директива щодо акумуляторів): Цей виріб містить батарею, яку не можна утилізувати в Європейському Союзі як несортвані побутові відходи. Інформацію

щодо батареї див. у документації до виробу. Батарея помічена цим символом, який може включати букви, що вказують на наявність кадмію (Cd), свинцю (Pb) або ртуті (Hg). Щоб забезпечити правильну переробку батареї, поверніть її постачальнику або здайте до спеціалізованого пункту збирання відходів. Докладну інформацію дивіться на сайті:

[www.recyclethis.info](http://www.recyclethis.info).

#### Інформація щодо техніки безпеки

Перш ніж використовувати пристрій, прочитайте всю інформацію щодо техніки безпеки.

#### Електрика

- Під час експлуатації виробу суворо дотримуйтеся державних і місцевих правил електричної безпеки.
- Якщо пристрій експлуатується в особливих умовах, як от на вершині гори, залізної башти чи в лісі, встановіть на вході обмежувач напруги.
- **ОБЕРЕЖНО:** Якщо пристрій має змінний запобіжник, замініть запобіжник лише на запобіжник такого ж типу й з такими ж характеристиками, щоб зменшити ризик пожежі й ураження електричним струмом.

#### Батарея



#### ПОПЕРЕДЖЕННЯ

1. Не ковтайте батарею. Небезпека хімічних опіків!
  2. У цьому виробі встановлена батарейка-таблетка. Якщо проковтнути батарейку-таблетку, це може викликати серйозні внутрішні опіки всього за 2 години й навіть призвести до смерті.
  3. Тримайте нові й використані батарейки у недоступному для дітей місці.
  4. Якщо відсік для батарейки не закривається належним чином, припиніть користуватися виробом і покладіть його в недоступне для дітей місце.
  5. Якщо існує вірогідність того, що батарейку проковтнули або вона знаходиться всередині тіла людини, негайно зверніться по медичну допомогу.
  6. **ОБЕРЕЖНО:** Встановлення батареї невідповідного типу може призвести до вибуху.
  7. Встановлення батареї невідповідного типу може призвести до порушення системи захисту (зокрема, у разі використання літєвих батарей деяких типів).
  8. Не кидайте батарею у вогонь або в гарячу піч, не розбивайте та не розрізуйте її. Це може призвести до вибуху.
  9. Не залишайте батарею в місцях із дуже високою температурою. Це може призвести до вибуху або витоку вогненебезпечної рідини або газу.
  10. Не залишайте батарею в місцях із дуже низьким атмосферним тиском. Це може призвести до вибуху або витоку вогненебезпечної рідини або газу.
  11. Утилізуйте використані батареї згідно з інструкціями.
- Для акумулятора, на якому присутні значки «+» і «-» знак «+» вказує на позитивні клеми пристрою, який використовує постійний струм або генерує його, а знак «-» вказує на негативні клеми пристрою, який використовує постійний струм або генерує його.

#### Запобігання пожежі

- Забороняється розміщувати на обладнанні джерела відкритого вогню, як-от свічки, які горять.
- Послідовний порт обладнання використовується лише для налагодження.
- Вихідний роз'єм живлення пристрою не відповідає вимогам до джерел живлення обмеженої потужності. Пристрій, живлення якого здійснюється через цей роз'єм, повинен мати вогнестійкий кожух.

#### Попередження про гарячі поверхні

- Для пристрою з наклейкою  або  зверніть увагу на наступні застереження:

**ОБЕРЕЖНО:** Горячі деталі! Не торкатися. Будьте обережні, щоб не обпекти пальці о деталі. Після вимикання живлення зачекайте півгодини, перш ніж працювати з цими деталями. Ця етикетка означає, що деталь може нагріватися, і тому її не слід торкатися, не вживши застережних заходів. Якщо пристрій має таку етикетку, він призначений для встановлення в місці з обмеженим доступом. Доступ до такого місця може надаватися лише працівникам сервісної служби або користувачам, яким роз'яснено причини таких обмежень і заходи безпеки, яких вони мають вжити.

#### Установлення

- Безпечно використання цього пристрою можливе лише в регіонах, де висота над рівнем моря не перевищує 2000 м.
- Не встановлюйте пристрої для професійного використання в місцях, де існує ймовірність появи дітей.
- Якщо пристрій потрібно встановити на стіні або стелі, установлюйте пристрій відповідно до вказівок у короткому керівництві щодо початку роботи. Прикріпіть пристрій належним чином до підлоги/стіни відповідно до інструкцій зі встановлення, щоб запобігти травмуванню.
- Не торкайтесь гострих країв чи кутів.
- **ОБЕРЕЖНО:** Якщо кронштейн призначений для певної моделі пристрою, що виробляється нашою компанією, використовуйте кронштейн тільки з відповідним пристроєм. Використання кронштейна з іншими пристроями може призвести до нестійкості пристроїв і травмування. Докладну інформацію див. у технічному паспорті пристрою.
- **ОБЕРЕЖНО:** Якщо пристрій встановлюється за допомогою певного кронштейна, що виробляється нашою компанією, використовуйте тільки відповідний кронштейн. Використання чогось іншого (як-от візків, стійок або кріплень) може призвести до нестійкості пристрою й до травмування.

Відомості щодо моделі кронштейна див. у технічному паспорті пристрою.

#### Транспортування

- Під час транспортування зберігайте пристрій в оригінальному або подібному пакуванні.

#### Технічне обслуговування

- Якщо виріб не працює належним чином, зверніться до вашого дилера або найближчого сервісного центру. Ми не несемо жодної відповідальності за проблеми, які виникли внаслідок недозволеного ремонту чи догляду. Пристрій містить декілька компонентів (наприклад, електролітичний конденсатор), які необхідно регулярно замінювати. Середній термін служби різниться, тому рекомендується регулярно перевіряти ці компоненти. Для додаткової інформації звертайтеся до вашого дилера.

#### Чищення

- Використовуйте м'яку та суху тканину для протирання внутрішніх і зовнішніх поверхонь виробу. Не використовуйте лужні миючі засоби.

#### Умови експлуатації

- Переконайтесь, що середа використання відповідає умовам експлуатації пристрою. НЕ РОЗМІЩУЙТЕ пристрій у місцях із надзвичайно високою або низькою температурою чи високим рівнем запиленості або вологості та захищайте пристрій від сильного електромагнітного випромінювання. Вимоги до температури й вологості див. у технічних характеристиках пристрою.

#### Аварійні ситуації

- Якщо пристрій випускає дим, запах або видає шум, негайно вимкніть живлення, від'єднайте кабель живлення та зверніться в сервісний центр.

## العربية

### الامتثال التنظيمي ومعلومات السلامة

حماية البيانات وحقوق الخصوصية الأخرى. لا يجوز استخدام هذا المنتج لأي استخدامات نهائية محظورة، بما في ذلك تطوير أسلحة دمار شامل أو إنتاجها، أو تطوير أسلحة كيميائية أو بيولوجية أو إنتاجها، أو أي أنشطة في هذا السياق متعلقة بأي مواد قابلة للانفجار النووي أو دورة الوقود النووي غير الآمنة، أو لدعم انتهاكات حقوق الإنسان.

ويسود القانون الساري في حال حدوث أي تضارب بينه وبين هذا الدليل.

قم بقراءة جميع المعلومات والتعليمات الواردة في هذا المستند بعناية قبل استخدام الجهاز واحتفظ بهذا المستند للرجوع إليه فيما بعد.

لمزيد من المعلومات والتعليمات حول الجهاز، يُرجى زيارة موقعنا الإلكتروني على <https://www.hikvision.com>. ويمكنك أيضاً الرجوع إلى المستندات الأخرى (إن وجدت) المصاحبة للجهاز أو مسح رمز الاستجابة السريعة (إن وجد) الموجود على العبوة للحصول على مزيد من المعلومات.

### إخلاء المسؤولية

إلى الحد الأقصى الذي يسمح به القانون المعمول به، يتوافر هذا الدليل والمنتج الموصوف وما يتضمنه من أجهزة وبرامج وبرامج ثابتة "في الحالة التي هو عليها" و"بكل العيوب والأخطاء التي يتضمنها". لا تقدم HIKVISION أي ضمانات، سواء كانت صريحة أو ضمنية، بما في ذلك، على سبيل المثال لا الحصر، قابلية التسويق، أو الجودة المُرضية، أو الملاءمة لغرض معين. يقع استخدام المنتج من قبلك على مسؤوليتك الخاصة. لن تتحمل شركة HIKVISION -بأي حال من الأحوال- المسؤولية عن أي أضرار خاصة، أو لاحقة، أو عرضية، أو غير مباشرة -بما في ذلك، ومن بين أمور أخرى- أي أضرار ناجمة عن فقدان الأرباح التجارية، أو توقف العمل، أو فقدان البيانات، أو فساد في الأنظمة، أو ضياع الوثائق -سواء أكان ذلك استناداً إلى خرق للعقد، أم خطأ (ومنه الإهمال)- أو مسؤولية المنتج أو غير ذلك، فيما يتعلق باستخدام المنتج، حتى إذا كان قد تم إبلاغ HIKVISION بإمكانية حدوث مثل هذه الأضرار أو فقدان. أنت تقر بطبيعة الإنترنت التي تنطوي على المخاطر الأمنية الكامنة، ولا يقع على HIKVISION أي مسؤوليات عن التشغيل غير الطبيعي أو تسرب الخصوصية أو غيرها من الأضرار الناجمة عن الهجوم الإلكتروني أو هجوم القرصنة أو الإصابة بالفيروسات والمخاطر الأمنية للإنترنت - ومع ذلك، سوف توفر HIKVISION الدعم الفني في الوقت المناسب، إذا لزم الأمر.

أنت توافق على استخدام المنتج تماثلياً مع جميع القوانين المعمول بها، وتتحمل وحدك المسؤولية عن ضمان أن استخدامك يتوافق مع القانون المعمول به. تتحمل وحدك بشكل خاص المسؤولية عن استخدام المنتج بطريقة لا تنتهك حقوق الأطراف الأخرى، بما في ذلك، على سبيل المثال لا الحصر، حقوق الدعاية، أو حقوق الملكية الفكرية، أو حقوق

### تطبيق هذه البنود فقط على المنتجات التي تحمل العلامة أو المعلومات المقابلة.

#### بيان الامتثال لمعايير الاتحاد الأوروبي

يحمل هذا المنتج وكذلك ملحقاته المقدمة - إن وجدت - علامة "CE" ومن تمّ يمتثل للمعايير الأوروبية المُنسقة السارية والمدرجة ضمن توجيه التوافق الكهرومغناطيسي (EMCD)/30/2014 (EU)، وتوجيه



الحد من المواد الخطرة (RoHS)/65/2011 (EU). HS.

ملاحظة: تتوافق المنتجات ذات جهد الإدخال من 50 إلى 1000 فولت تيار متردد أو 75 إلى 1500 فولت تيار مستمر مع توجيه الجهد المنخفض (LVD)/35/2014 (EU)، وتتوافق المنتجات الباقية مع توجيه العام لسلامة المنتج (GPSD)/95/2001 (EC). يُرجى الاطلاع على معلومات مصدر الطاقة المحددة كمرجع.

التوجيه (WEEE): لا يمكن التخلص من المنتجات التي تحمل هذا الرمز بوصفها نفايات بلدية غير مصنفة في الاتحاد الأوروبي، ولتحقيق إعادة التدوير بطريقة سليمة، أعد هذا المنتج إلى المورد المحلي الذي تتعامل معه عند شراء جهاز جديد مماثل أو تخلص منه في نقاط التجميع المحددة. للحصول على مزيد من المعلومات، راجع: [www.recyclethis.info](http://www.recyclethis.info).





التوجيه EC/66/2006 وتعديله EU/56/2013 (توجيه البطارية): يحتوي هذا المنتج على بطارية لا يمكن التخلص منها بوصفها نفايات محلية غير مصنفة في الاتحاد الأوروبي. راجع وثائق المنتج للاطلاع على معلومات محددة بشأن البطارية. تحمل البطارية هذا الرمز، الذي قد يتضمن حرفاً تدل على الكاديوم (Cd) أو الرصاص (Pb) أو الزئبق (Hg). لتحقيق إعادة التدوير بطريقة سليمة، أعد البطارية إلى المورد الذي تتعامل معه، أو إلى نقطة تجميع محددة. للحصول على مزيد من المعلومات، راجع: [www.recyclethis.info](http://www.recyclethis.info).

#### معلومات السلامة

يُرجى قراءة جميع معلومات السلامة بعناية قبل الاستخدام.

#### الكهرباء

- عند استخدام المنتج، يجب أن تلتزم بصرامة بلوائح السلامة الكهربائية السارية في الدولة والمنطقة.
- قم بتوفير مانع الصواعق عند فتحة مدخل الجهاز في ظل الظروف الخاصة مثل قمة الجبل والبرج الحديدي والغاية.
- تنبيه: إذا كان من الممكن استبدال مصهر الجهاز، فاستبدله بنفس النوع ونفس معدل المصهر فقط لتقليل خطر نشوب حريق أو حدوث صدمة كهربائية.

#### البطارية



#### تحذير

1. لا تبتلع البطارية. خطر الإصابة بالحروق الكيميائية!
  2. يحتوي هذا المنتج على بطارية خلوية بشكل أزرار/عملة معدنية. إذا تم ابتلاع البطارية الجافة على شكل عملة معدنية/زر، فقد يتسبب ذلك في الإصابة بحروق داخلية شديدة في غضون ساعتين فقط ويمكن أن يؤدي إلى الوفاة.
  3. احتفظ بالبطاريات الجديدة والمستعملة بعيداً عن متناول الأطفال.
  4. إذا لم يتم إغلاق حجرة البطارية بإحكام، فتوقف عن استخدام المنتج واحتفظ به بعيداً عن متناول الأطفال.
  5. إذا كنت تعتقد أن البطاريات قد تم ابتلاعها أو وضعها داخل أي جزء من الجسم، فالتمس الرعاية الطبية على الفور.
  6. تنبيه: ثمة خطر حدوث انفجار إذا تم استبدال البطارية بنوع غير صحيح.
  7. قد يؤدي الاستبدال غير الصحيح للبطارية بنوع غير صحيح إلى إبطال الحماية (على سبيل المثال، في حالة بعض أنواع بطاريات الليثيوم).
  8. لا تتخلص من البطارية بإلقائها في النار أو في فرن ساخن، أو تقم بسحق البطارية أو تقطيعها ميكانيكياً، مما قد يؤدي إلى حدوث انفجار.
  9. لا تترك البطارية في بيئة محيطة ذات درجة حرارة عالية للغاية، مما قد يؤدي إلى حدوث انفجار أو تسرب سائل أو غاز قابل للاشتعال.
  10. لا تُعرّض البطارية لضغط هواء منخفض للغاية، مما قد يؤدي إلى حدوث انفجار أو تسرب سائل أو غاز قابل للاشتعال.
  11. تخلص من البطاريات المستعملة حسب التعليمات.
- بالنسبة إلى البطارية التي تحتوي على العلامتين "+" و"-"، تحدد العلامة "+" الأطراف الموجبة للجهاز التي تُستخدم مع التيار المباشر أو تولده، وتحدد العلامة "-" الأطراف السالبة للجهاز التي تُستخدم مع التيار المباشر أو تولده.

#### الوقاية من الحرائق

- يجب عدم وضع مصادر لهب مكشوفة، مثل الشموع المضاءة، على الجهاز.
- يُستخدم المنفذ التسلسلي للجهاز لتصحيح الأخطاء فقط.

● لا يتوافق منفذ خرج الطاقة الموجود بالجهاز مع مصدر الطاقة المحدود. ويجب أن يكون الجهاز الذي يمدّه هذا المنفذ بالطاقة مزوداً بغطاء مانع للحريق.

#### تفادي الأسطح الساخنة



● بالنسبة للجهاز المزود بملصق أو ، انتبه إلى التنبيهات التالية: تنبيه: الأجزاء الساخنة! لا تلمسها. قد تتعرض أصابعك للاحتراق عند مسك الأجزاء وهي ساخنة. انتظر نصف ساعة بعد إيقاف تشغيل الجهاز قبل مسك الأجزاء. هذا الملصق يشير إلى أن العنصر المحدد يمكن أن يكون ساخناً ولا يجب لمسه دون توخي الحذر. بالنسبة للجهاز الذي يحتوي على هذا الملصق، فإن هذا الجهاز مخصص للتركيب في موقع وصول مقيد، ولا يمكن الوصول إليه إلا من قبل أشخاص الخدمة أو المستخدمين الذين تم إطلاعهم على أسباب القيود المطبقة على الموقع وحول أي احتياطات يجب اتخاذها.

#### التركيب

- يمكن استخدام هذا الجهاز بأمان في المنطقة التي على ارتفاع أقل من 2000 متر فوق مستوى سطح البحر.
- لا تقم بتركيب الأجهزة للاستخدام المهني في الأماكن التي يحتمل وجود أطفال بها.
- إذا كانت هناك حاجة إلى تركيب الجهاز على الجدار أو السقف، فقم بتركيب الجهاز وفقاً للتعليمات الواردة في دليل البدء السريع. صِل الجهاز بالأرضية/الجدار بشكل صحيح وفقاً لتعليمات التركيب لمنع حدوث إصابات.
- لا تلمس الحواف أو الزوايا الحادة.
- تنبيه: إذا كان السناد مصمماً لطراز جهاز معين ينتمي إلى شركتنا، فاستخدم السناد مع الجهاز المتوافق فقط. قد يؤدي استخدام أجهزة أخرى إلى عدم ثبات الجهاز وحدث إصابات. يُرجى الرجوع إلى صفحة بيانات الجهاز للحصول على التفاصيل.
- تنبيه: إذا كان يتعين تركيب الجهاز باستخدام سناد معين ينتمي إلى شركتنا، فاستخدم السناد المتوافق فقط. قد يؤدي استخدام أنواع أخرى (مثل العربات، والحوامل، والحاملات) إلى عدم ثبات الجهاز وحدث إصابات. راجع ورقة بيانات الجهاز للحصول على تفاصيل طرازات السناد.

#### النقل

● احتفظ بالجهاز في عبوته الأصلية أو عبوة مماثلة في أثناء نقله.

#### الصيانة

- إذا لم يعمل المنتج بشكل سليم، فيرجى الاتصال بالوكيل أو أقرب مركز خدمة. لن نتحمل أي مسؤولية عن المشاكل التي يتسبب في حدوثها الإصلاح أو الصيانة من جهة غير معتمدة. تتطلب بعض مكونات الجهاز (مثل المكثف الكهربائي) الاستبدال بصورة منتظمة. يختلف متوسط فترة الاستخدام، لذا يُوصى بإجراء فحص دوري. اتصل بالموزع للحصول على التفاصيل.

#### التنظيف

● يُرجى استخدام قطعة قماش ناعمة وجافة عند تنظيف الأسطح الداخلية والخارجية لغطاء المنتج. لا تستخدم المنظفات القلوية.

#### بيئة الاستخدام

- تأكد من أن بيئة التشغيل تلبّي متطلبات الجهاز. تجنب وضع الجهاز في أماكن ساخنة أو باردة أو مغبرة أو رطبة للغاية، ولا تعرضه لإشعاع كهرومغناطيسي عالٍ لمعرفة متطلبات درجة الحرارة والرطوبة، راجع مواصفات الجهاز للحصول على التفاصيل.

#### الطوارئ

- إذا انبعت دخان أو رائحة غريبة أو ضوضاء من الجهاز، فأوقف تشغيل الطاقة على الفور وافصل كابل الطاقة، ثم اتصل بمركز الخدمة.



See Far, Go Further

UD32125B