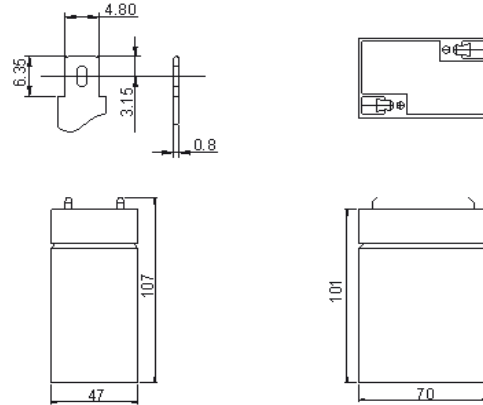




SEALED VRLA AGM BATTERY

PL-4.5-6 6V4.5Ah



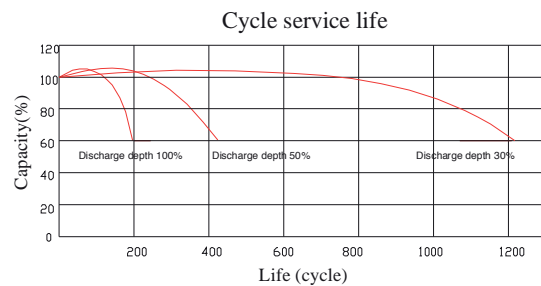
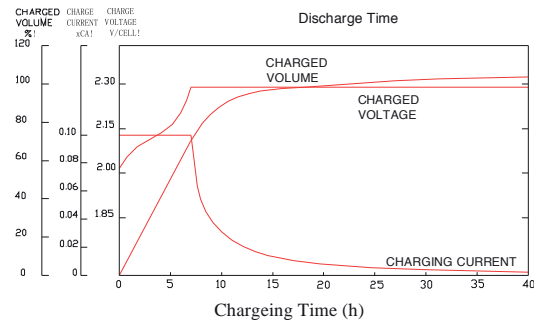
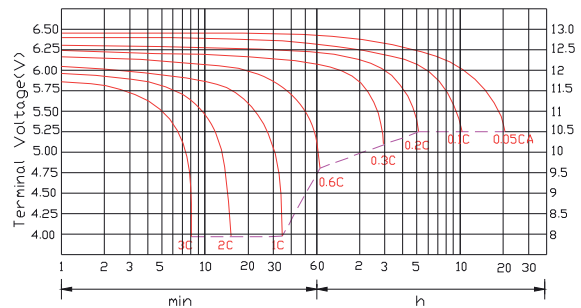
● Specifications

Nominal Voltage		6V
Rated Capacity		4.5Ah
Dimensions	Total Height	4.21 inches (107mm)
	Height	3.98 inches (101mm)
	Length	2.76 inches (70mm)
	Width	1.85 inches (47mm)
Approximate Weight		1.54 lbs. (0.7kg)

● Characteristic

Capacity 77°F(25°C)	20h rate	4.5Ah
	10h rate	4.2Ah
	5h rate	3.75Ah
	1h rate	3.02Ah
	15 min rate	2.11Ah
Internal Resistance	Full Charged Battery 77°F(25°C)	Approx. 22mΩ
Capacity Affected by Temperature (20h rate)	104°F(40°C)	102%
	77°F(25°C)	100%
	32°F(0°C)	85%
	5°F(-15°C)	65%
Self-Discharge 68°F(20°C) (Capacity after)	3 month storage	90%
	6 month storage	80%
	12 month storage	60%
Max. Discharge Current 77°F(25°C)	67.5A(5s)	
Terminal	T1	
Charge (Constant Voltage, 25°C)	Cycle	7.25~7.45V(-12mV/°C) max. current:1.35A
	Float	6.8~6.9V(-9mV/°C)

DISCHARGE CHARACTERISTICS AT 25° C(77° F)



Constant Current Discharge Characteristics (A, 25°)

F.V/TIME	5min	10min	15min	30min	60min	3h	5h	10h	20h
4.80V	16.2	10.8	8.80	4.80	3.10	1.12	0.76	0.43	0.23
5.10V	15.4	10.3	8.45	4.65	3.02	1.10	0.75	0.43	0.23
5.25V	14.5	9.6	8.03	4.47	2.92	1.06	0.74	0.42	0.22

Constant Wattage Discharge Characteristics (Watt, 25°)

F.V/TIME	5min	10min	15min	30min	60min	3h	5h	10h	20h
4.80V	90.4	60.9	50.1	27.5	17.9	6.65	4.54	2.70	1.38
5.10V	85.9	58.1	48.1	26.6	17.5	6.53	4.48	2.70	1.38
5.25V	80.9	54.4	45.7	25.6	16.9	6.30	4.42	2.64	1.32