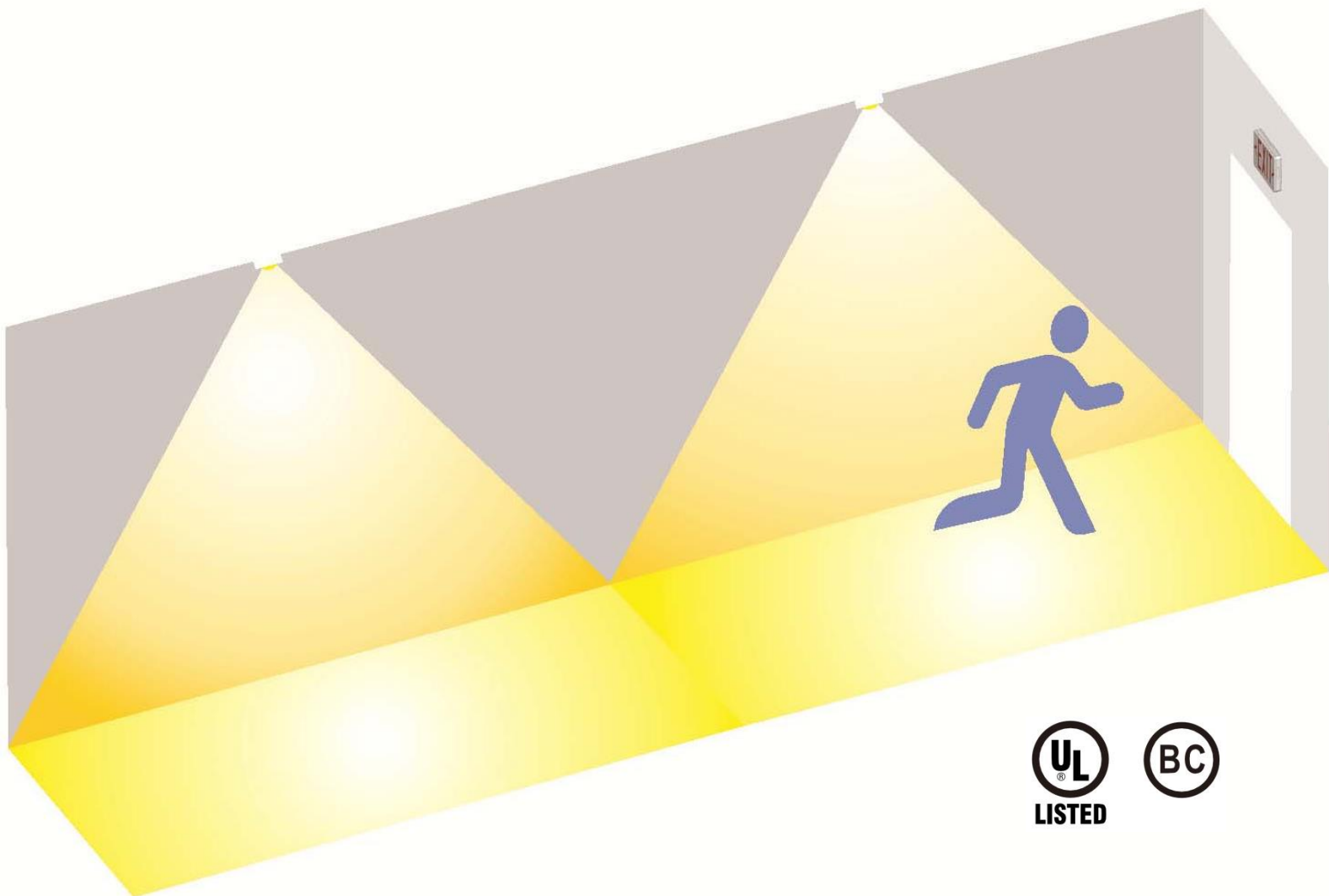
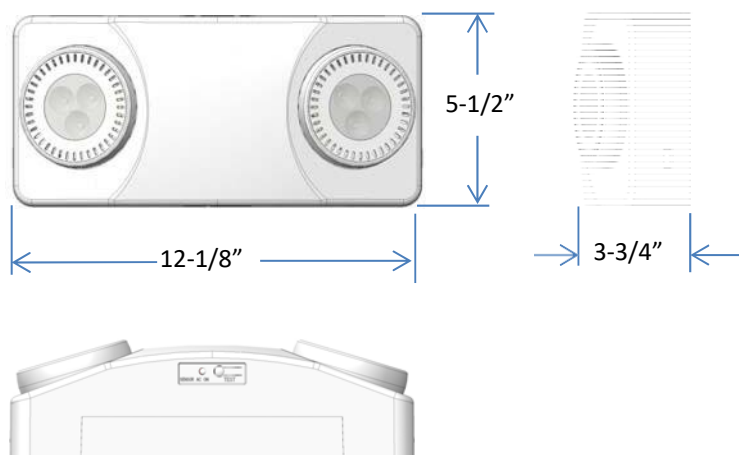


SPECIFICATION SHEET FOR LED EMERGENCY LIGHTING

SF-1960-LF



Product Photo And Dimension



Product Specification

Parameter		Spec	Condition
Input	Voltage / Frequency	120-277Vac, 50/60Hz	-
	Maintenance Power consumption	< 1W	Meet circle BC
Battery	Type	LiFePO ₄ battery	-
	Charge time	24 hours	
	Discharge time	> 90 minutes	
Output (standout version)	Luminous flux	520lm	-
	Installation spacing distance	52ft spacing distance, 6ft wide corridor	7.5ft height
	Installation spacing distance	55ft spacing distance, 6ft wide corridor	10 ft height
	Lamp head	2835 LED 1W * 3pcs, 2.7W per head, CCT 6000K	-
	Remote capability option	9V5.4W	-
Output (Premium version)	Luminous flux	1100lm	-
	Installation spacing distance	84ft spacing distance, 6ft wide corridor	7.5ft height
	Installation spacing distance	90ft spacing distance, 6ft wide corridor	10 ft height
	Lamp head	3535 LED 3W * 3pcs, 5.4W per head, CCT 5000K	-
	Remote capability option	N/A	-

Product Specification

Parameter		Spec	Condition
Function	Test facility	Manual test and self testing / self-diagnostics	-
	Protection Circuit	Brownout, overload and short circuit protection	
Material	Housing	ABS	
	Lamp head	PC	
	Finish	White, black	
Mounting		Wall mount, ceiling mount	-
Ambient temperature		10°C...+40°C, suitable for damp location	-
Certificate		UL,CUL, meet UL924 standard Circle BC meet CEC title 20	-

Order Guide

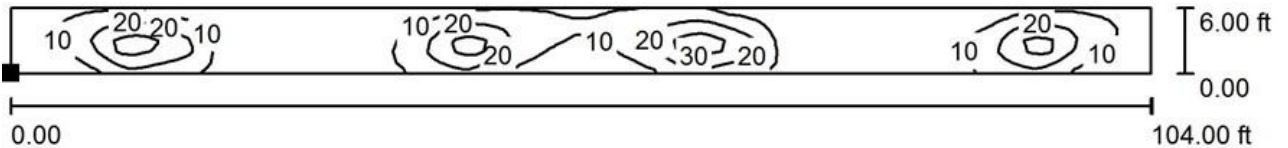
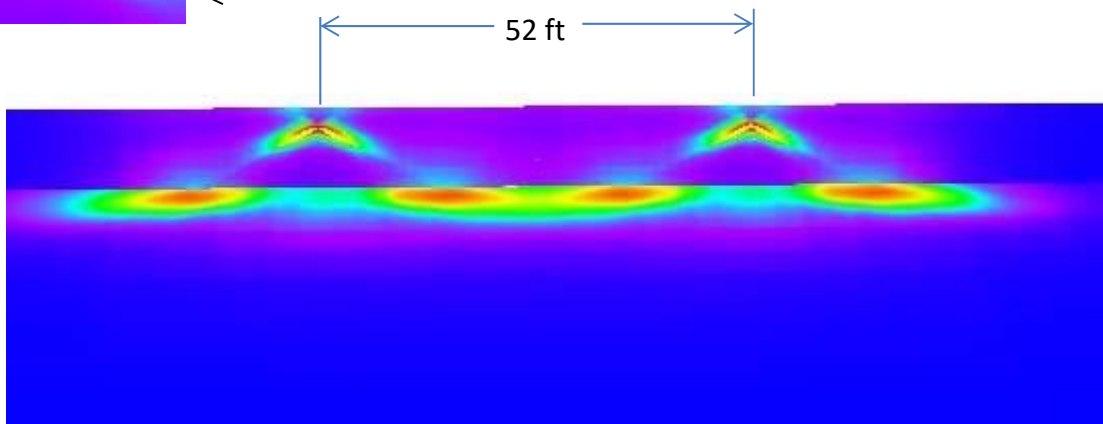
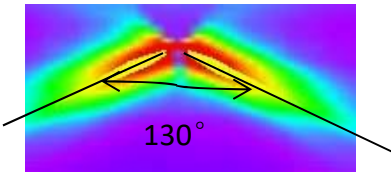
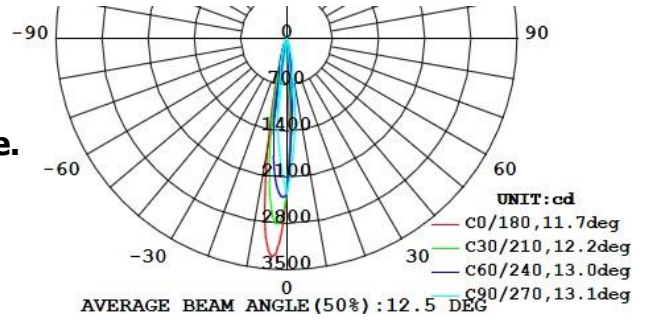
Family	Battery	Options	Housing Color
SF-1960-LF: Standard Version	LF: LiFEPO4 Battery	Blank: Manual Test	W: White

Model List and Electrical Rating

No.	Model	Test facility	LiFePO4 Battery	Recharge Time	Emergency Duration	Input			Output		
						Voltage	Hz	Power Consumption (Initial)	Lamp Head	Luminous Flux(initial)	Remote capability
1	SF-1960-LF	MT	9.6V1500mA	24 hours	90 minutes	120-277	60	2.5W	2.7W *2pcs	520 lm	N/A

Photometric ---Standard version---7.5ft mounting height

**Standard version total 520lm output,
Unit mount on 7.5ft height,52ft spacing distance.**



Position of surface in room:
Marked point: (-52.000 ft, 0.000 ft, 0.000 ft)



Grid: 186 x 6 Points

E_{av} [lx]
12

E_{min} [lx]
2.27

E_{max} [lx]
37